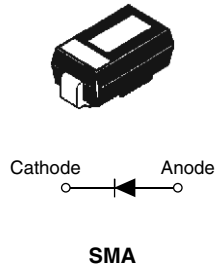


Schottky Rectifier, 3 A



FEATURES

- Surface mountable
- Extremely low forward voltage
- Compact size
- Improved reverse blocking voltage capability relative to other similar size Schottky
- Lead (Pb)-free ("PbF" suffix)
- Designed and qualified for industrial level



APPLICATIONS

- Switching power supplies
- Meter protection
- Reverse protection for power input to PC board circuits
- Battery isolation and charging
- Low threshold voltage diode
- Freewheeling or by-pass diode
- Low voltage clamp

DESCRIPTION

The 15MQ040NPbF Schottky rectifier is designed to be used for low-power applications where a reverse voltage of 40 V is encountered and surface mountable is required.

PRODUCT SUMMARY

| | |
|-------------|------|
| $I_{F(AV)}$ | 3 A |
| V_R | 40 V |

MAJOR RATINGS AND CHARACTERISTICS

| SYMBOL | CHARACTERISTICS | VALUES | UNITS |
|-------------|----------------------------|-------------|------------|
| $I_{F(AV)}$ | DC | 3 | A |
| V_{RRM} | | 40 | V |
| I_{FSM} | $t_p = 5 \mu s$ sine | 330 | A |
| V_F | 2 Apk, $T_J = 125^\circ C$ | 0.43 | V |
| T_J | Range | - 40 to 150 | $^\circ C$ |

VOLTAGE RATINGS

| PARAMETER | SYMBOL | 15MQ040NPbF | UNITS |
|--------------------------------------|-----------|-------------|-------|
| Maximum DC reverse voltage | V_R | 40 | V |
| Maximum working peak reverse voltage | V_{RWM} | | |

ABSOLUTE MAXIMUM RATINGS

| PARAMETER | SYMBOL | TEST CONDITIONS | VALUES | UNITS |
|--|-------------|---|---|-------|
| Maximum average forward current See fig. 4 | $I_{F(AV)}$ | 50 % duty cycle at $T_L = 105^\circ C$, rectangular waveform On PC board 9 mm ² island (0.013 mm thick copper pad area) | 2.1 | A |
| Maximum peak one cycle non-repetitive surge current See fig. 6 | I_{FSM} | 5 μs sine or 3 μs rect. pulse | Following any rated load condition and with rated V_{RRM} applied | A |
| | | 10 ms sine or 6 ms rect. pulse | | |
| Non-repetitive avalanche energy | E_{AS} | $T_J = 25^\circ C$, $I_{AS} = 1 A$, $L = 12 mH$ | 6.0 | mJ |
| Repetitive avalanche current | I_{AR} | Current decaying linearly to zero in 1 μs Frequency limited by T_J maximum $V_A = 1.5 \times V_R$ typical | 1.0 | A |

* Pb containing terminations are not RoHS compliant, exemptions may apply

| ELECTRICAL SPECIFICATIONS | | | | | |
|---|----------------|---|-----------------------------------|--------|------------|
| PARAMETER | SYMBOL | TEST CONDITIONS | | VALUES | UNITS |
| Maximum forward voltage drop See fig. 1 | $V_{FM}^{(1)}$ | 1 A | $T_J = 25\text{ }^\circ\text{C}$ | 0.42 | V |
| | | 2 A | | 0.49 | |
| | | 1 A | $T_J = 125\text{ }^\circ\text{C}$ | 0.34 | |
| | | 2 A | | 0.43 | |
| Maximum reverse leakage current See fig. 2 | $I_{RM}^{(1)}$ | $T_J = 25\text{ }^\circ\text{C}$ | $V_R = \text{Rated } V_R$ | 0.5 | mA |
| | | $T_J = 125\text{ }^\circ\text{C}$ | | 20 | |
| Threshold voltage | $V_{F(TO)}$ | $T_J = T_J \text{ maximum}$ | | 0.26 | V |
| Forward slope resistance | r_t | | | 64.6 | m Ω |
| Typical junction capacitance | C_T | $V_R = 10\text{ V}_{DC}$, $T_J = 25\text{ }^\circ\text{C}$, test signal = 1 MHz | | 134 | pF |
| Typical series inductance | L_S | Measured lead to lead 5 mm from package body | | 2.0 | nH |
| Maximum voltage rate of change | dV/dt | Rated V_R | | 10 000 | V/ μ s |

Note

(1) Pulse width < 300 μ s, duty cycle < 2 %

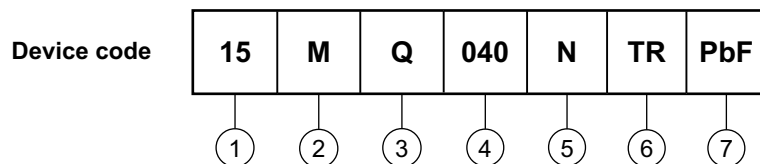
| THERMAL - MECHANICAL SPECIFICATIONS | | | | | |
|---|-------------------------|-------------------------------|--|-------------|--------------------|
| PARAMETER | SYMBOL | TEST CONDITIONS | | VALUES | UNITS |
| Maximum junction and storage temperature range | $T_J^{(1)}$, T_{Stg} | | | - 40 to 150 | $^\circ\text{C}$ |
| Maximum thermal resistance, junction to ambient | R_{thJA} | DC operation | | 80 | $^\circ\text{C/W}$ |
| Approximate weight | | | | 0.07 | g |
| | | | | 0.002 | oz. |
| Marking device | | Case style SMA (similar D-64) | | V3F | |

Note

(1) $\frac{dP_{tot}}{dT_J} < \frac{1}{R_{thJA}}$ thermal runaway condition for a diode on its own heatsink



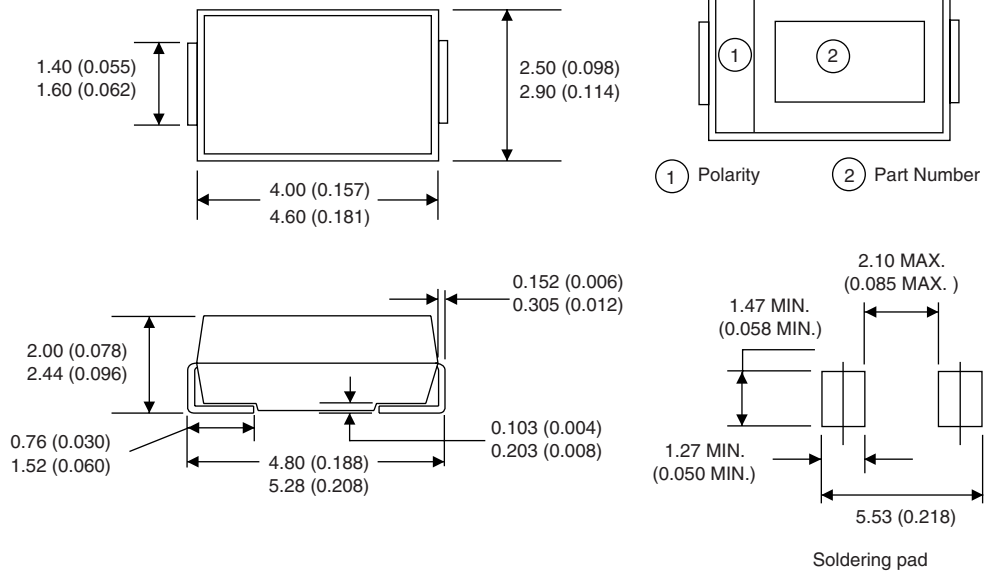
ORDERING INFORMATION TABLE



- 1** - Current rating
- 2** - M = SMA
- 3** - Q = Schottky "Q" series
- 4** - Voltage rating (040 = 40 V)
- 5** - N = New SMA
- 6** -
 - None = Box (1000 pieces)
 - TR = Tape and reel (7500 pieces)
- 7** -
 - None = Standard production
 - PbF = Lead (Pb)-free

SMA

DIMENSIONS in millimeters (inches)



SMA, SMB, SMC

TAPE AND REEL INFORMATION in millimeters (inches)

