

Part Number **HSR-0025D** Contact Form A Switch Configuration SPST Rev. E

World's Smallest and Most Sensitive Magnetically Operated Reed Switch

Features	Advantages
<ul style="list-style-type: none"> • Hermetically sealed contacts • .035 height profile • .010 lead diameter • Oval body shape • Switch materials are Lead free and RoHs compliant 	<ul style="list-style-type: none"> • Extended operations in extreme environments • Not ESD sensitive • World's smallest reed switch • World's most magnetically sensitive reed switch • Pick-and-place capable • Hi-Rel version available

Electrical Specifications

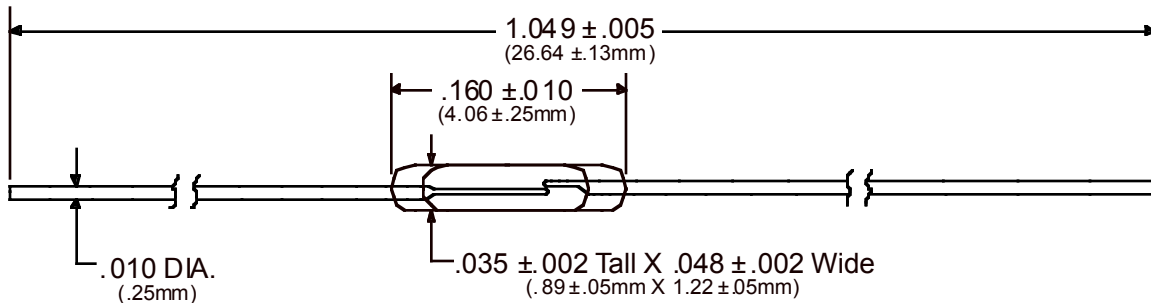
Power		Watts - maximum	0.25
Voltage	Switching	VDC - maximum	30
	Breakdown	VDC - minimum	80
Current	Switching	Amp - maximum	0.01
	Carry	Amp - maximum	TBD
Resistance	Initial Contact Resistance	Ohm - maximum	0.50
	Insulation Resistance	Ohm - minimum	1 E11
Capacitance	Contact	pF - typical	0.7
Temperature	Operating	°C	-40 to +125
	Storage	°C	-40 to +200

Magnetic Specifications

Pull - In Range		Ampere Turns	2-15
Test Coil		NARM RS-421-A	Coil I

Physical/Operational Specifications

Capsule Volume	Excluding Leads	CC - nominal	0.0037
Contact Material			Durel
Operate Time	Including Bounce	mSeconds - maximum	0.30
Release Time	Including Bounce	mSeconds - maximum	0.20



- Notes:
- (1) Specifications are not constant across entire magnetic range.
 - (2) Customer must exercise care in handling, mounting, lead forming, and cutting to prevent damage to glass capsule and/or switch sensitivity.
 - (3) For information or custom configurations about performance, mounting options or packaging, contact our Sales department.
 - (4) Information contained hereon is for informational purposes only and should not be deemed as accurate for a specific application. Consult factory for specific application information and/or latest revision.