

Back

- o Flat Cable Connectors SEK
- o *har-mik*®
- o D-Sub
- o InduCom

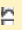


➔ Applications

Product details

09 21 007 3131 Female insert, Han 7 D

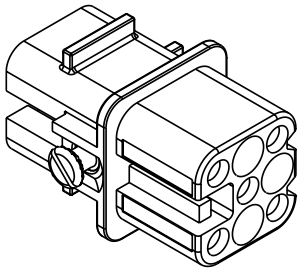
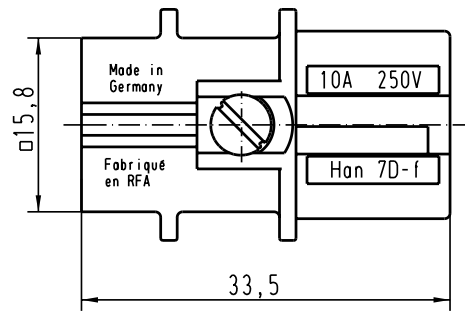
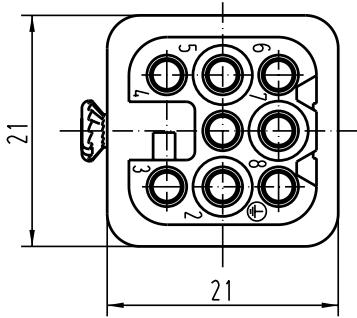
Series	Han D®, Han D® AV
Number of contacts	7 poles + PE
Size of hood/housing	Han® 3 A
Termination	Crimp termination
Insert material	Standard material
Contacts	Order separately
Housing material	Plastic
Electrical data	10 A 250 V 4 kV 3
RoHS compliant	Yes

Available Downloads

Title	Format	
Data sheet	PDF	 download
CAD data 2D	DXF	 download
CAD data 3D	IGES	 download

Inquiry

Alle Rechte vorbehalten/ All rights reserved



All Dimensions in mm Original Size DIN A 4			Techn. Character.			Nicht tolerierte Masse/ free size tolerances			
				Dat.	Name	Massestab/Scale	Han 7D-f Buchsenträger/ <i>female inserts</i>		
			Detail.	25.02.93	PENNER				
			Insp.		HERB				
			Stand.						
410278	01.12.02	DY	HARTING Electric GmbH & Co. KG				TB 09 21 007 3131		Blatt/ page
Mod.	Dat.	Name	D-32339 Espelkamp				Sub. TB 09 21 007 3131 v. 14.06.85		