

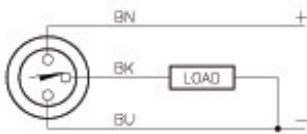
Inductive Sensors



Housing Style - Rectangular	Part Number	ID Number	Features	Embeddable	Sensing Range (mm)	Output	
	Bi 5-Q08-AD4X-V1130	S4414551		•	5	2-Wire DC	
	Bi 5U-Q08-AN6X2-V1131	S1608910	<i>Uprox</i>	•	5	3-Wire DC NPN	
	Bi 5-Q08-AN6X2-V1131	S1600600		•	5		
	Bi 5-Q08-AN6X2-V1131/S34		<i>Weld-field Immune</i>	•	5		
	Bi 7-Q08-AN6X2-V1131	S1601622	<i>Ext. Range</i>	•	7		
	Bi 8U-Q08-AN6X2-V1131	S1662008	<i>Uprox</i>	•	8		
	Bi 5U-Q08-AP6X2-V1131	S1608900	<i>Uprox</i>	•	5	3-Wire DC PNP	
	Bi 5-Q08-AP6X2-V1131	S1600500		•	5		
	Bi 5-Q08-AP6X2-V1131/S34	S1600501	<i>Weld-field Immune</i>	•	5		
	Bi 7-Q08-AP6X2-V1131	S1601602	<i>Ext. Range</i>	•	7		
	Bi 8U-Q08-AP6X2-V1131	S1662005	<i>Uprox</i>	•	8		
		Bi 5-Q08-VN6X2-V1141	S1600400	<i>Comp. Outputs</i>	•	5	4-Wire DC NPN
		Bi 7-Q08-VN6X2-V1141	S1600922	<i>Ext. Range</i>	•	7	
		Bi 5-Q08-VP6X2-V1141	S1600300	<i>Comp. Outputs</i>	•	5	4-Wire DC PNP
Bi 7-Q08-VP6X2-V1141		S1600902	<i>Ext. Range</i>	•	7		

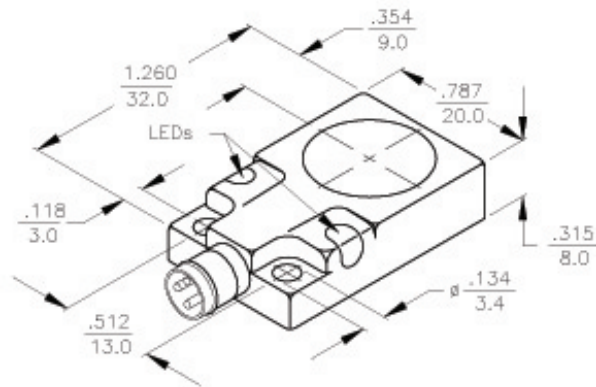
Voltage	Switching Freq. (Hz)	Operating Current (mA)	Operating Temp. (°C)	Protection	Housing	Front Cap/Face	Power LED	Output LED	Mating Cord, Cable Length/Jacket	Wiring Diagram #	Wiring Diagrams
10-65 VDC	50	≤100	-25 to +70	IP 67	Zinc	PA 12	N/A	YE	PKG 3Z-*	1	<p>Diagram 1</p>
10-30 VDC	1000	≤200	-30 to +85	IP 67	Zinc	PA 12	GN	YE	PKG 3Z-*	2	<p>Diagram 2</p>
	1000	≤200	-25 to +70	IP 67	Zinc	PA 12	GN	YE	PKG 3Z-*	2	
	300	≤100	-25 to +70	IP 67	Zinc	PA 12	GN	YE	PKG 3Z-*	2	
	500	≤200	-25 to +70	IP 67	Zinc	PA 12	GN	YE	PKG 3Z-*	2	
	1000	≤200	-30 to +85	IP 67	Zinc	PA 12	GN	YE	PKG 3Z-*	2	
10-30 VDC	1000	≤200	-30 to +85	IP 67	Zinc	PA 12	GN	YE	PKG 3Z-*	3	<p>Diagram 3</p>
	1000	≤200	-25 to +70	IP 67	Zinc	PA 12	GN	YE	PKG 3Z-*	3	
	300	≤100	-25 to +70	IP 67	Zinc	PA 12	GN	YE	PKG 3Z-*	3	
	500	≤200	-25 to +70	IP 67	Zinc	PA 12	GN	YE	PKG 3Z-*	3	
	1000	≤200	-30 to +85	IP 67	Zinc	PA 12	GN	YE	PKG 3Z-*	3	
10-30 VDC	1000	≤200	-25 to +70	IP 67	Zinc	PA 12	GN	YE	PKG 4Z-*	4	<p>Diagram 4</p>
	500	≤200	-25 to +70	IP 67	Zinc	PA 12	GN	YE	PKG 4Z-*	4	
10-30 VDC	1000	≤200	-25 to +70	IP 67	Zinc	PA 12	GN	YE	PKG 4Z-*	5	<p>Diagram 5</p>
	500	≤200	-25 to +70	IP 67	Zinc	PA 12	GN	YE	PKG 4Z-*	5	

WIRING DIAGRAM



OUTPUT: AP6X2

SHORT-CIRCUIT AND OVERLOAD PROTECTED



SPECIFICATIONS

OPERATING VOLTAGE	10-30 VDC
RIPPLE	≤10%
DIFFERENTIAL TRAVEL (HYSTERESIS)	3-15% (5% TYPICAL)
VOLTAGE DROP ACROSS CONDUCTING SENSOR	≤1.8 V at 100 mA
OUTPUT FUNCTION	NORMALLY OPEN 3-WIRE DC SELF-CONTAINED
TTL COMPATIBLE	NO
SHORT-CIRCUIT PROTECTED	YES
TRIGGER CURRENT FOR OVERLOAD PROTECTION	≥150 mA
CONTINUOUS LOAD CURRENT	≤100 mA
OFF-STATE (LEAKAGE) CURRENT	<10 μA
NO-LOAD CURRENT	5.5-9.5 mA
TIME DELAY BEFORE AVAILABILITY	≤8 ms
POWER-ON EFFECT PROTECTION	INCORPORATED
REVERSE POLARITY PROTECTION	INCORPORATED
WIRE-BREAK PROTECTION	INCORPORATED
PROTECTION AGAINST TRANSIENTS	2 kV, 1ms, 1 kΩ
OPERATING TEMPERATURE	-25°C to +70°C (-13°F to +158°F)
ENCLOSURE	MEETS NEMA 1, 3, 4, 6, 13 AND IEC IP67
SHOCK	30 g, 11 ms
VIBRATION	55 Hz, 1 mm AMPLITUDE (IN ALL 3 PLANES)
LED FUNCTION	GREEN: POWER ON YELLOW: OUTPUT ENERGIZED
SENSING RANGE	5 mm = .197" (NOMINAL)
SWITCHING FREQUENCY	1000 Hz
REPEATABILITY	≤2% OF RATED OPERATING DISTANCE
MATING PLUGS/CABLES	3-PIN "PICOFAST" CONSTRUCTION

RELATED DOCUMENTS 1. 2. 3. 4.	3RD ANGLE PROJECTION 	THIS DRAWING IS PROPERTY OF TURCK INC. USE OF THIS DOCUMENT WITHOUT WRITTEN PERMISSION IS PROHIBITED.		TURCK INC High Technology Sensors and Automation Controls	
MATERIAL DIE CAST ZINC	TOLERANCES UNLESS OTHERWISE SPECIFIED .X ±0.02 .XX ±0.01 .XXX ±0.005 ANGLES ±1° ALL MILLIMETER DIMENSIONS ARE REFERENCE ONLY	DWGT GMB USDR	DATE 11/2/89 SCALE NONE	DESCRIPTION B15-Q08-AP6X2-V1131	
FRESH		UNIT OF MEASUREMENT INCH [MILLIMETER]		IDENTIFICATION NO. S1600500	REV B
B UPDATE TO NEW TITLE BLOCK	RDS 11/04/02 5504	DO NOT SCALE THIS DRAWING		FILE: S1600500	SHEET 1 OF 1