

TP2

TP2

Panel cut-out (mm)	Ø 16.2 or Ø 22.5
Characteristics	<ul style="list-style-type: none">momentary or latchingsealed IP40, IP65 or IP67wide range of bezelswith or without illuminationNO, NC, COgold plated single or double pole contact blocks
Rating	250 VAC, 5 A
Dimensions (mm)	18 × 24 18 × 18 Ø 18 Ø 25
Actuator	lenses in different shapes and colors
Approvals	UL, CSA, VDE



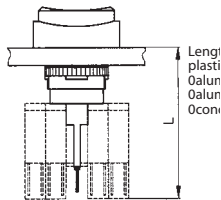
Popular products

Ordering Reference	Panel cut-out	Function	Actuator style	Terminals	Electrical rating
TP21LAAC1C1A4CN	Ø 16.2 mm	Latching; IP40	18 × 24 mm, red Illumination	2.8 × 0.5 mm faston	250 VAC, 5A
TP21LDAC1C1D4CN	Ø 16.2 mm	Latching; IP40	Ø 18 mm, red Illumination	2.8 × 0.5 mm faston	250 VAC, 5A
TP21MAAC1C1A4CN	Ø 16.2 mm	Momentary; IP40	18 × 24 mm, red Illumination	2.8 × 0.5 mm faston	250 VAC, 5A
TP21MDAC1C1D4CN	Ø 16.2 mm	Momentary; IP40	Ø 18 mm, red Illumination	2.8 × 0.5 mm faston	250 VAC, 5A
TP22LFAC1C1E4CN	Ø 22.5 mm	Latching; IP65	Ø 25 mm, red Illumination	2.8 × 0.5 mm faston	250 VAC, 5A
TP22MFAC1C1E4CN	Ø 22.5 mm	Momentary; IP65	Ø 25 mm, red Illumination	2.8 × 0.5 mm faston	250 VAC, 5A

Specifications

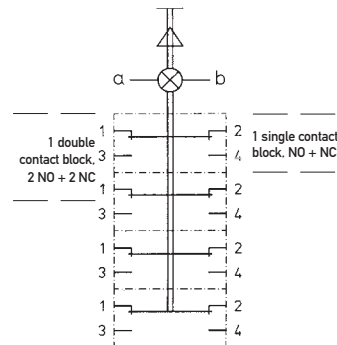
Mechanism	Bi-functional – momentary or latching
Actuating force	Approximately 2.5N – 1 contact block
Mounting	Central fixing with metal lock nut
Protection	IP40, IP65, IP67
Bezel material	Thermoplastic or anodized aluminum alloy
Lens material	Polycarbonate – engravable
Illumination	T1 ¾ midget grooved lamps – incandescent lamps , LEDs, multi LEDs 60 V, 1.2W maximum Lamp contact "b" = cathode (-) Appropriate safety regulations should be respected when using the indicator light.
Temperature range °C	-25°C to +85°C
Mechanical life	10 ⁶ cycles
Contact block	Slide-on assembly by the user with locking mechanism
Contact block housing	Self-extinguishing duroplastic (UL 94 plus V0)
Terminal material	Silver alloy with 0.2 µm silver plating, 0.4 µm gold plating
Contact resistance	<30 mOhm
Number of contact blocks	User configurable NO or NC types up to a maximum of 2 double contact blocks
Terminals	Solder – suitable for wire diameter 1 × 1.00 mm ² (braided), 2 × 0.75 mm (stranded) Faston – 2.8 mm × 0.5 mm
Vibration resistance	1.5 mm pp amplitude at 55 Hz

Dimensions

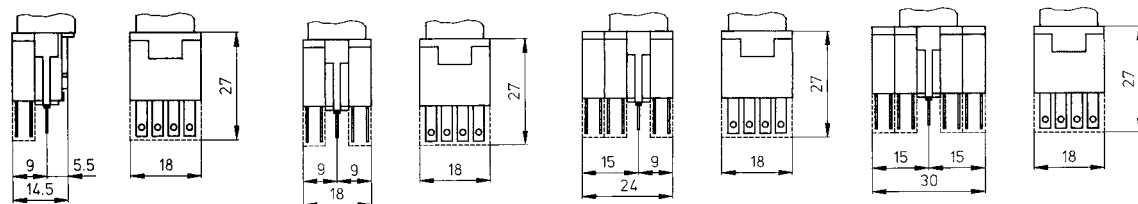


Length in mm (with contact block)	
plastic bezels	43.0
aluminum bezels	42.0
aluminum bezels	50.0
concealed mounting	

Circuit diagram (2 double contact blocks)



Contact blocks



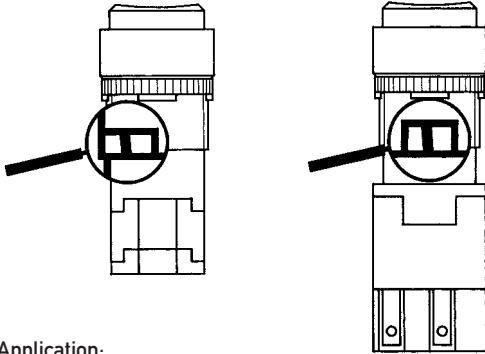
Recommended maximum electrical ratings

Voltage (max)	Resistive load (A)	Inductive load (A)	Approval
250 VAC	5.0 (0.7 pf)	L/R = 15 ms	UL, CSA, VDE - max. admissible circuit breaker C6A
12 VDC	5.0	3.0	General rating
24 VDC	4.0	2.0	General rating
36 VDC	3.0	1.7	General rating
48 VDC	2.0	1.5	General rating
60 VDC	1.5	1.2	General rating
125 VDC	0.5	0.3	General rating
250 VDC	0.3	0.2	General rating

Electrical life 50,000 cycles at 5A, 250 VAC, 0.7 pf

Bi-functional selection

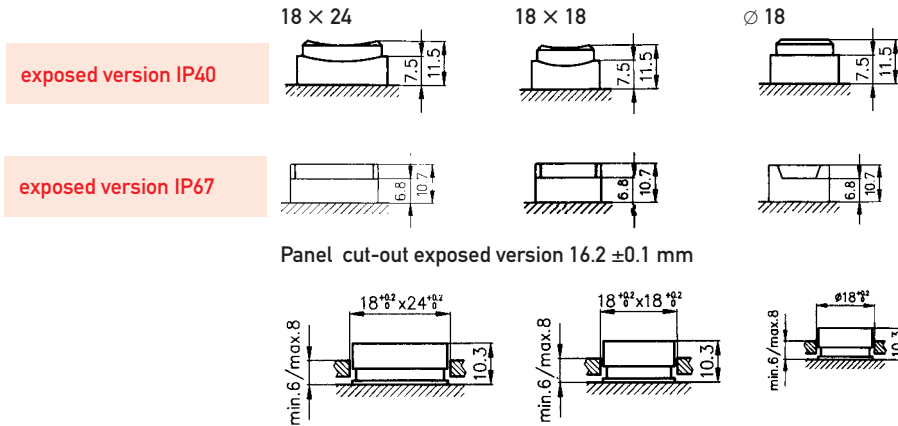
All latching switches in the range incorporate a simple selector mechanism for modifying the function of the switch. This function is not available with momentary switches.



Application:

When the switch is in the off position the selector mechanism can be moved to the right to obtain a momentary function, or to the left to return to a latching function.

Plastic bezel and lens heights in mm (switch off position)



Aluminum bezel ∅ 25 and lens heights in mm (switch off position)



Panel cut-out 22.5 ±0.1 mm

Front panel thickness	plastic bezel	1.0 mm to 6.5 mm
	aluminum bezel	1.0 mm to 5.0 mm
	countersunk mounting	2.0 mm to 15.0 mm

Ordering Reference

Example: TP2 1 MAA A1 A1 A0 A N

Basic type	TP2							
Panel cut-out	1 Ø 16.2 mm							
Switch body (A)	MAA	Momentary	18 × 24 mm	Exposed ; IP40; faston	TH501008000			
	LAA	Latching_	18 × 24 mm	Exposed ; IP40; faston	TH511008000			
	MAC	Momentary	18 × 24 mm	Exposed ; IP67; faston	TH501015000			
	LAC	Latching_	18 × 24 mm	Exposed ; IP67; faston	TH511015000			
	MAB	Momentary	18 × 24 mm	Concealed ; IP40; faston	TH501002000			
	LAB	Latching_	18 × 24 mm	Concealed ; IP40; faston	TH511002000			
	(B)	MBA	Momentary	18 × 18 mm	Exposed ; IP40; faston	TH503008000		
		LBA	Latching_	18 × 18 mm	Exposed ; IP40; faston	TH513008000		
		MBC	Momentary	18 × 18 mm	Exposed ; IP67; faston	TH503015000		
		LBC	Latching_	18 × 18 mm	Exposed ; IP67; faston	TH513015000		
		MBB	Momentary	18 × 18 mm	Concealed ; IP40; faston	TH503002000		
		LBB	Latching_	18 × 18 mm	Concealed ; IP40; faston	TH513002000		
	(C)	MDA	Momentary	Ø 18 mm	Exposed ; IP40; faston	TH505008000		
		LDA	Latching_	Ø 18 mm	Exposed ; IP40; faston	TH515008000		
		MDC	Momentary	Ø 18 mm	Exposed ; IP67; faston	TH505015000		
LDC		Latching_	Ø 18 mm	Exposed ; IP67; faston	TH515015000			
MDB		Momentary	Ø 18 mm	Concealed ; IP40; faston	TH505002000			
LDB		Latching_	Ø 18 mm	Concealed ; IP40; faston	TH515002000			
Contact block, gold Position 1	XX	No Contact Blocks		Terminals	Part No.			
	A1	NO		2.8 × 0.5mm	TH593566020			
	A9	NO		Insulated faston	TH593560020			
	A8	NO		Solder	TH593561020			
	B1	NC		2.8 × 0.5mm	TH593566050			
	B9	NC		Insulated faston	TH593560050			
	B8	NC		Solder	TH593561050			
	C1	1 NO + 1 NC		2.8 × 0.5mm	TH593566000			
	C9	1 NO + 1 NC		Insulated faston	TH593560000			
	C8	1 NO + 1 NC		Solder	TH593561000			
	D1	2 NO + 2 NC		2.8 × 0.5mm	TH593567000			
	D9	2 NO + 2 NC		Insulated faston	TH593563000			
	D8	2 NO + 2 NC		Solder	TH593564000			
	Contact block, gold Position 2	XX	No Contact Blocks		Terminals	Part No.		
		A1	NO		2.8 × 0.5mm	TH593566020		
A9		NO		Insulated faston	TH593560020			
A8		NO		Solder	TH593561020			
B1		NC		2.8 × 0.5mm	TH593566050			
B9		NC		Insulated faston	TH593560050			
B8		NC		Solder	TH593561050			
C1		1 NO + 1 NC		2.8 × 0.5mm	TH593566000			
C9		1 NO + 1 NC		Insulated faston	TH593560000			
C8		1 NO + 1 NC		Solder	TH593561000			
D1		2 NO + 2 NC		2.8 × 0.5mm	TH593567000			
D9		2 NO + 2 NC		Insulated faston	TH593563000			
D8		2 NO + 2 NC		Solder	TH593564000			
Lens, transparent For Switch body style (A)		A0	White	Exposed 15 × 21 mm	Exposed IP40 TH461021000	Exposed IP67 TH561011000	Concealed 18 × 24 mm TH461017000	Concealed IP 40 TH461017000
		A1	Yellow	15 × 21 mm	TH461121000	TH561111000	18 × 24 mm TH461117000	TH461117000
	A2	Green	15 × 21 mm	TH461221000	TH561211000	18 × 24 mm TH461217000	TH461217000	
	A3	Blue	15 × 21 mm	TH461321000	TH561311000	18 × 24 mm TH461317000	TH461317000	
	A4	Red	15 × 21 mm	TH461421000	TH561411000	18 × 24 mm TH461417000	TH461417000	
	A6	Orange	15 × 21 mm	TH461621000	TH561611000	18 × 24 mm TH461617000	TH461617000	
	For Switch body style (B)	B0	White	15 × 15 mm	TH463021000	TH563011000	18 × 18 mm TH463018000	TH463018000
		B1	Yellow	15 × 15 mm	TH463121000	TH563111000	18 × 18 mm TH463118000	TH463118000
		B2	Green	15 × 15 mm	TH463221000	TH563211000	18 × 18 mm TH463218000	TH463218000
		B3	Blue	15 × 15 mm	TH463321000	TH563311000	18 × 18 mm TH463318000	TH463318000
		B4	Red	15 × 15 mm	TH463421000	TH563411000	18 × 18 mm TH463418000	TH463418000
		B6	Orange	15 × 15 mm	TH463621000	TH563611000	18 × 18 mm TH463618000	TH463618000
For Switch body style (C)	D0	White	Ø 15 mm	TH465021000	TH565011000	Ø 18 mm TH465015000	TH465015000	
	D1	Yellow	Ø 15 mm	TH465121000	TH565111000	Ø 18 mm TH465115000	TH465115000	
	D2	Green	Ø 15 mm	TH465221000	TH565211000	Ø 18 mm TH465215000	TH465215000	
	D3	Blue	Ø 15 mm	TH465321000	TH565311000	Ø 18 mm TH465315000	TH465315000	
	D4	Red	Ø 15 mm	TH465421000	TH565411000	Ø 18 mm TH465415000	TH465415000	
	D6	Orange	Ø 15 mm	TH465621000	TH565611000	Ø 18 mm TH465615000	TH465615000	
Illumination	X	Non illuminated						
	A	6V						
	B	12V						
	C	24V						
Illumination Color	F	48V						
	X	Non illuminated						
	N	Incandescent lamp	6V, 200 mA TH590000000	12V, 80 mA TH590001000	24V, 50 mA TH590006000	48V, 25 mA TH590004000		
	1	Yellow LED	6V AC/DC, 45 mA TH590231000	12V AC/DC, 25 mA TH590234000	24V AC/DC, 12.5 mA TH590237000	48V AC/DC, 12.5 mA TH590240000		
	2	Green LED	TH590232000	TH590235000	TH590238000	TH590241000		
	4	Red LED	TH590230000	TH590233000	TH590236000	TH590239000		

Note: Contact blocks will be supplied unassembled

Ordering Reference

Example: TP2 1 MAD A1 A1 A0 A N

Basic type	TP2						
Panel cut-out	1 Ø 16.2 mm						
Switch body (A)	MAD	Momentary	18 × 24 mm	Exposed ; IP40; solder	TH501108000		
	LAD	Latching_	18 × 24 mm	Exposed ; IP40; solder	TH511108000		
	MAF	Momentary	18 × 24 mm	Exposed ; IP67; solder	TH501115000		
	LAF	Latching_	18 × 24 mm	Exposed ; IP67; solder	TH511115000		
	MAE	Momentary	18 × 24 mm	Concealed ; IP40; solder	TH501102000		
	LAE	Latching_	18 × 24 mm	Concealed ; IP40; solder	TH511102000		
	(B)	MBD	Momentary	18 × 18 mm	Exposed ; IP40; solder	TH503108000	
		LBD	Latching_	18 × 18 mm	Exposed ; IP40; solder	TH513108000	
		MBF	Momentary	18 × 18 mm	Exposed ; IP67; solder	TH503115000	
		LBF	Latching_	18 × 18 mm	Exposed ; IP67; solder	TH513115000	
		MBE	Momentary	18 × 18 mm	Concealed ; IP40; solder	TH503102000	
		LBE	Latching_	18 × 18 mm	Concealed ; IP40; solder	TH513102000	
	(C)	MDD	Momentary	Ø 18 mm	Exposed ; IP40; solder	TH505108000	
		LDD	Latching_	Ø 18 mm	Exposed ; IP40; solder	TH515108000	
		MDF	Momentary	Ø 18 mm	Exposed ; IP67; solder	TH505115000	
LDF		Latching_	Ø 18 mm	Exposed ; IP67; solder	TH515115000		
MDE		Momentary	Ø 18 mm	Concealed ; IP40; solder	TH505102000		
LDE		Latching_	Ø 18 mm	Concealed ; IP40; solder	TH515102000		
Contact block, gold Position 1	XX	No Contact Blocks					
	A1	NO	2.8 × 0.5mm	TH593566020			
	A9	NO	Insulated faston	TH593560020			
	A8	NO	Solder	TH593561020			
	B1	NC	2.8 × 0.5mm	TH593566050			
	B9	NC	Insulated faston	TH593560050			
	B8	NC	Solder	TH593561050			
	C1	1 NO + 1 NC	2.8 × 0.5mm	TH593566000			
	C9	1 NO + 1 NC	Insulated faston	TH593560000			
	C8	1 NO + 1 NC	Solder	TH593561000			
	D1	2 NO + 2 NC	2.8 × 0.5mm	TH593567000			
	D9	2 NO + 2 NC	Insulated faston	TH593563000			
	D8	2 NO + 2 NC	Solder	TH593564000			
	Contact block, gold Position 2	XX	No Contact Blocks				
		A1	NO	2.8 × 0.5mm	TH593566020		
A9		NO	Insulated faston	TH593560020			
A8		NO	Solder	TH593561020			
B1		NC	2.8 × 0.5mm	TH593566050			
B9		NC	Insulated faston	TH593560050			
B8		NC	Solder	TH593561050			
C1		1 NO + 1 NC	2.8 × 0.5mm	TH593566000			
C9		1 NO + 1 NC	Insulated faston	TH593560000			
C8		1 NO + 1 NC	Solder	TH593561000			
D1		2 NO + 2 NC	2.8 × 0.5mm	TH593567000			
D9		2 NO + 2 NC	Insulated faston	TH593563000			
D8		2 NO + 2 NC	Solder	TH593564000			
Lens, transparent For Switch body style (A)		A0	White	Exposed 15 × 21 mm	Exposed IP40 TH461021000	Exposed IP67 TH561011000	Concealed 18 × 24 mm TH461017000
		A1	Yellow	15 × 21 mm	TH461121000	TH561111000	18 × 24 mm TH461117000
	A2	Green	15 × 21 mm	TH461221000	TH561211000	18 × 24 mm TH461217000	
	A3	Blue	15 × 21 mm	TH461321000	TH561311000	18 × 24 mm TH461317000	
	A4	Red	15 × 21 mm	TH461421000	TH561411000	18 × 24 mm TH461417000	
	A6	Orange	15 × 21 mm	TH461621000	TH561611000	18 × 24 mm TH461617000	
	For Switch body style (B)	B0	White	15 × 15 mm	TH463021000	TH563011000	18 × 18 mm TH463018000
		B1	Yellow	15 × 15 mm	TH463121000	TH563111000	18 × 18 mm TH463118000
		B2	Green	15 × 15 mm	TH463221000	TH563211000	18 × 18 mm TH463218000
		B3	Blue	15 × 15 mm	TH463321000	TH563311000	18 × 18 mm TH463318000
		B4	Red	15 × 15 mm	TH463421000	TH563411000	18 × 18 mm TH463418000
		B6	Orange	15 × 15 mm	TH463621000	TH563611000	18 × 18 mm TH463618000
	For Switch body style (C)	D0	White	Ø 15 mm	TH465021000	TH565011000	Ø 18 mm TH465015000
		D1	Yellow	Ø 15 mm	TH465121000	TH565111000	Ø 18 mm TH465115000
		D2	Green	Ø 15 mm	TH465221000	TH565211000	Ø 18 mm TH465215000
		D3	Blue	Ø 15 mm	TH465321000	TH565311000	Ø 18 mm TH465315000
		D4	Red	Ø 15 mm	TH465421000	TH565411000	Ø 18 mm TH465415000
		D6	Orange	Ø 15 mm	TH465621000	TH565611000	Ø 18 mm TH465615000
Illumination	X	Non illuminated					
	A	6V					
	B	12V					
	C	24V					
	F	48V					
Illumination Color	X	Non illuminated					
	N	Incandescent lamp	6V, 200 mA TH590000000	12V, 80 mA TH590001000	24V, 50 mA TH590006000	48V, 25 mA TH590004000	
	1	Yellow LED	6V AC/DC, 45 mA TH590231000	12V AC/DC, 25 mA TH590234000	24V AC/DC, 12.5 mA TH590237000	48V AC/DC, 12.5 mA TH590240000	
	2	Green LED	TH590232000	TH590235000	TH590238000	TH590241000	
	4	Red LED	TH590230000	TH590233000	TH590236000	TH590239000	

Note: Contact blocks will be supplied unassembled

Ordering Reference

Basic type	TP2		Example: TP2				2	MFA	A1	A1	E0	A	N
Panel cut-out	2 Ø 22.5 mm												
Switch body (A) (B)	Function	Actuator	Housing	Part No.									
	MFA Momentary	Ø 25	Exposed plastic; IP65; faston	TH505020000									
	LFA Latching_	Ø 25	Exposed plastic; IP65; faston	TH515020000									
	MFB Momentary	Ø 25	Exposed aluminum; IP40 / IP65*; faston	TH505018000									
	LFB Latching_	Ø 25	Exposed aluminum; IP40 / IP65*; faston	TH515018000									
	MFC Momentary	Ø 25	Exposed aluminum; IP65* with silicon cap; faston	TH505033000									
	LFC Latching_	Ø 25	Exposed aluminum; IP65* with silicon cap; faston	TH515033000									
	MFD Momentary	Ø 25	Flush-aluminum; IP40; faston	TH505050000									
	LFD Latching_	Ø 25	Flush-aluminum; IP40; faston	TH515050000									
	MFE Momentary	Ø 25	Flush-aluminum; IP67; faston	TH505051000									
LFE Latching_	Ø 25	Flush-aluminum; IP67; faston	TH515051000										
Contact block, gold Position 1	XX	No contact blocks		Part No.									
	A1	NO	2.8 × 0.5mm	TH593566020									
	A9	NO	Insulated faston	TH593566020									
	A8	NO	Solder	TH593561020									
	B1	NC	2.8 × 0.5mm	TH593566050									
	B9	NC	Insulated faston	TH593566050									
	B8	NC	Solder	TH593561050									
	C1	1 NO + 1 NC	2.8 × 0.5mm	TH593566000									
	C9	1 NO + 1 NC	Insulated faston	TH593566000									
	C8	1 NO + 1 NC	Solder	TH593561000									
	D1	2 NO + 2 NC	2.8 × 0.5mm	TH593569000									
	D9	2 NO + 2 NC	Insulated faston	TH593563000									
	D8	2 NO + 2 NC	Solder	TH593564000									
	Contact block, gold Position 2	XX	No contact blocks		Part No.								
		A1	NO	2.8 × 0.5mm	TH593566020								
		A9	NO	Insulated faston	TH593566020								
A8		NO	Solder	TH593561020									
B1		NC	2.8 × 0.5mm	TH593566050									
B9		NC	Insulated faston	TH593566050									
B8		NC	Solder	TH593561050									
C1		1 NO + 1 NC	2.8 × 0.5mm	TH593566000									
C9		1 NO + 1 NC	Insulated faston	TH593566000									
C8		1 NO + 1 NC	Solder	TH593561000									
D1		2 NO + 2 NC	2.8 × 0.5mm	TH593569000									
D9		2 NO + 2 NC	Insulated faston	TH593563000									
D8		2 NO + 2 NC	Solder	TH593564000									
Lens, transparent For Switch body style (A)		E0	White	Ø 21	TH565024000	} For Plastic Bezel only IP65							
		E1	Yellow	Ø 21	TH565124000								
		E2	Green	Ø 21	TH565224000								
	E3	Blue	Ø 21	TH565324000									
	E4	Red	Ø 21	TH565424000									
	E6	Orange	Ø 21	TH565624000									
For Switch body style (B)	F0	White	Ø 18	IP40/IP65	IP65 with Silicon cap	IP67	TH465015000	TH465001000	TH565025000	} For Aluminum Bezel only			
	F1	Yellow	Ø 18	TH465115000	TH465101000	TH565125000							
	F2	Green	Ø 18	TH465215000	TH465201000	TH565225000							
	F3	Blue	Ø 18	TH465315000	TH465301000	TH565325000							
	F4	Red	Ø 18	TH465415000	TH465401000	TH565425000							
	F6	Orange	Ø 18	TH465615000	TH465601000	TH565625000							
	Illumination	X	Non illuminated										
A		6V											
B		12V											
C		24V											
F		48V											
Illumination Color	X	Non illuminated											
	N	Incandescent lamp		6V, 200 mA	12V, 80 mA	24V, 50 mA	48V, 25 mA						
				TH590000000	TH590001000	TH590006000	TH590004000						
				6V AC/DC, 45 mA	12V AC/DC, 25 mA	24V AC/DC, 12.5 mA	48V AC/DC, 12.5 mA						
	1	Yellow LED		TH590231000	TH590234000	TH590237000	TH590240000						
	2	Green LED		TH590232000	TH590235000	TH590238000	TH590241000						
	4	Red LED		TH590230000	TH590233000	TH590236000	TH590239000						

Note: Contact blocks will be supplied unassembled

Ordering Reference

Example: TP2 2 MFF A1 A1 E0 A N

Basic type	TP2					
Panel cut-out	2 Ø 22.5 mm					
Switch body (A)	Function	Actuator	Housing	Part No.		
	MFF Momentary	Ø 25	Exposed plastic; IP65; solder	TH505120000		
	LFF Latching	Ø 25	Exposed plastic; IP65; solder	TH515120000		
	(B)	MFG Momentary	Ø 25	Exposed aluminum; IP40 / IP65*; solder	TH505118000	
		LFG Latching	Ø 25	Exposed aluminum; IP40 / IP65*; solder	TH515118000	
	MFH Momentary	Ø 25	Exposed aluminum; IP65* with silicon cap; solder	TH505133000		
	LFH Latching	Ø 25	Exposed aluminum; IP65* with silicon cap; solder	TH515133000		
	MFJ Momentary	Ø 25	Flush-aluminum; IP40; solder	TH505150000		
	LFJ Latching	Ø 25	Flush-aluminum; IP40; solder	TH515150000		
	MFK Momentary	Ø 25	Flush-aluminum; IP67; solder	TH505151000		
	LFK Latching	Ø 25	Flush-aluminum; IP67; solder	TH515151000		
	Contact block, gold Position 1	XX	No Contact Blocks	Terminals		Part No.
		A1	NO	2.8 × 0.5mm		TH593566020
		A9	NO	Insulated faston		TH593560020
A8		NO	Solder		TH593561020	
B1		NC	2.8 × 0.5mm		TH593566050	
B9		NC	Insulated faston		TH593560050	
B8		NC	Solder		TH593561050	
C1		1 NO + 1 NC	2.8 × 0.5mm		TH593566000	
C9		1 NO + 1 NC	Insulated faston		TH593560000	
C8		1 NO + 1 NC	Solder		TH593561000	
D1		2 NO + 2 NC	2.8 × 0.5mm		TH593567000	
D9		2 NO + 2 NC	Insulated faston		TH593563000	
D8		2 NO + 2 NC	Solder		TH593564000	
Contact block, gold Position 2		XX	No Contact Blocks	Terminals		Part No.
		A1	NO	2.8 × 0.5mm		TH593566020
		A9	NO	Insulated faston		TH593560020
		A8	NO	Solder		TH593561020
	B1	NC	2.8 × 0.5mm		TH593566050	
	B8	NC	Solder		TH593561050	
	C1	1 NO + 1 NC	2.8 × 0.5mm		TH593566000	
	C9	1 NO + 1 NC	Insulated faston		TH593560000	
	C8	1 NO + 1 NC	Solder		TH593561000	
	D1	2 NO + 2 NC	2.8 × 0.5mm		TH593567000	
	D9	2 NO + 2 NC	Insulated faston		TH593563000	
	D8	2 NO + 2 NC	Solder		TH593564000	
	Lens, transparent For Switch body style (A)	E0	White	Ø 21	TH565024000	} For Plastic Bezel only IP65
		E1	Yellow	Ø 21	TH565124000	
		E2	Green	Ø 21	TH565224000	
		E3	Blue	Ø 21	TH565324000	
		E4	Red	Ø 21	TH565424000	
E6		Orange	Ø 21	TH565624000		
For Switch body style (B)	F0	White	Ø 18	TH465015000	IP40/IP65	} For Aluminum Bezel only
	F1	Yellow	Ø 18	TH465115000	IP65 with Silicon cap	
	F2	Green	Ø 18	TH465215000	IP67	
	F3	Blue	Ø 18	TH465315000		
	F4	Red	Ø 18	TH465415000		
	F5	Orange	Ø 18	TH465515000		
	F6	Orange	Ø 18	TH465615000		
Illumination	X	Non illuminated				
	A	6V				
	B	12V				
	C	24V				
	F	48V				
Illumination Color	X	Non illuminated				
	N	Incandescent lamp	6V, 200 mA TH590000000	12V, 80 mA TH590001000	24V, 50 mA TH590006000	48V, 25 mA TH590004000
	1	Yellow LED	6V AC/DC, 45 mA TH590231000	12V AC/DC, 25 mA TH590234000	24V AC/DC, 12.5 mA TH590237000	48V AC/DC, 12.5 mA TH590240000
	2	Green LED	TH590232000	TH590235000	TH590238000	TH590241000
	4	Red LED	TH590230000	TH590233000	TH590236000	TH590239000

Note: Contact blocks will be supplied unassembled