

EPIC® Rectangular Connectors

Complete your Installation with a SKINTOP®

Your installation can be completed with an SKINTOP®. EPIC® Connectors mate with SKINTOPS® without locknuts. Use of tapered (NPT) threads is not recommended with EPIC® Rectangular Connectors

SKINTOP® SL: PG Liquid Tight Non-Metallic Strain Relief Connector



For additional information, see page 488.

Part Number without Locknut	Part Number with Locknut	Thread Type & Size
53015130	S1113	PG-13
53015140	S1116	PG-16
53015150	S1121	PG-21
53015160	S1129	PG-29
53015170	S1136	PG-36
53015180	S1142	PG-42

SKINTOP® MS: PG Liquid Tight Metallic Strain Relief Connector



For additional information, see page 500.

Part Number	Thread Type & Size
52015730	PG-13
52015740	PG-16
52015750	PG-21
52015760	PG-29
52015765	PG-36
52015766	PG-42

SKINTOP® SLM: Metric Liquid Tight Non-Metallic Strain Relief Connector



For additional information, see page 489.

Part Number without Locknut	Part Number with Locknut	Thread Type & Size
53111020	S1513	M-20X1.5
53111030	S1516	M-25X1.5
53111040	S1521	M-32X1.5
53111050	S1529	M-40X1.5
53111060	S1536	M-50X1.5

SKINTOP® MS-M: Metric Metallic Strain Relief Connector



For additional information, see page 502.

Part Number	Thread Type & Size
53112020	M-20X1.5
53112030	M-25X1.5
53112040	M-32X1.5
53112050	M-40X1.5
53112060	M-50X1.5

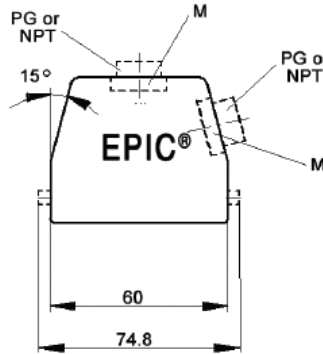
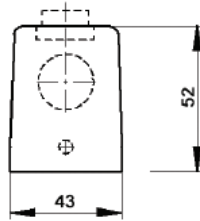
EPIC® Rectangular Connectors

HBE 6 Housings: Single Lever on Base



HOODS

TOP ENTRY



SIDE ENTRY



All dimensions are in mm.

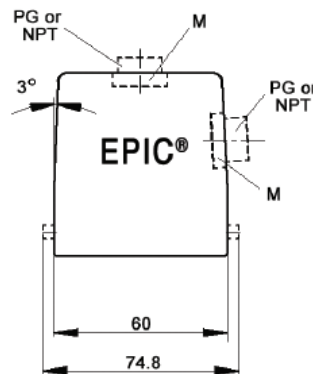
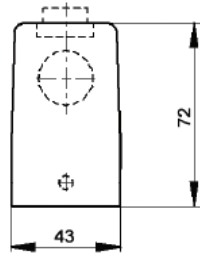
Specifications: DIN 43652
Temperature Range: -40°C to +125°C
Protection class: NEMA 4, NEMA 12, IP65
Material: Aluminum alloy, powder coated

Position of Cable Entry	Size of Entry			Part Numbers			Complete your installation with a SKINTOP®, Pg 352			
	PG	NPT	Metric	PG	NPT	Metric	PG- Nylon	PG- Metal	Metric- Nylon	Metric- Metal
Top Entry	13.5	1/2"	20	10011000	100110NP	19011000	53015130	52015700	53111020	53112020
	16	1/2"	25	10021000	100210NP	19021000	53015140	52015740	53111030	53112030
Side Entry	13.5	1/2"	20	10012000	100120NP	19012000	53015130	52015700	53111020	53112020
	16	1/2"	25	10022000	100220NP	19022000	53015140	52015740	53111030	53112030

Top Entry metric hoods do not come with a neck.

HIGH PROFILE HOODS

TOP ENTRY



SIDE ENTRY



All dimensions are in mm.

Specifications: DIN 43652
Temperature Range: -40°C to +125°C
Protection class: NEMA 4, NEMA 12, IP65
Material: Aluminum alloy, powder coated

Position of Cable Entry	Size of Entry			Part Numbers			Complete your installation with a SKINTOP®, Pg 352			
	PG	NPT	Metric	PG	NPT	Metric	PG- Nylon	PG- Metal	Metric- Nylon	Metric- Metal
Top Entry	21	3/4"	25	70020200	700202NP	79020200	53015150	52015750	53111030	53112030
	29	1"	32	70020400	700204NP	79020400	53015160	52015760	53111040	53112040
Side Entry	21	3/4"	25	70022200	700222NP	79022200	53015150	52015750	53111030	53112030
	29	1"	32	70022400	700224NP	79022400	53015160	52015760	53111040	53112040

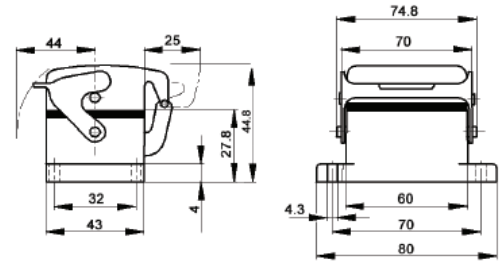
High Profile Metric hoods do not come with a neck.

EPIC® Rectangular Connectors



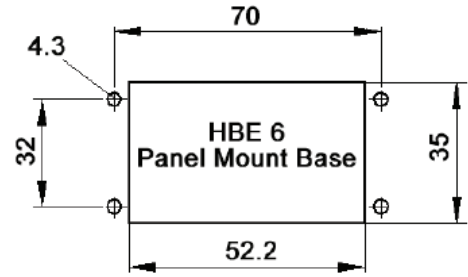
HBE 6 Housings: Single Lever on Base

PANEL MOUNT BASES



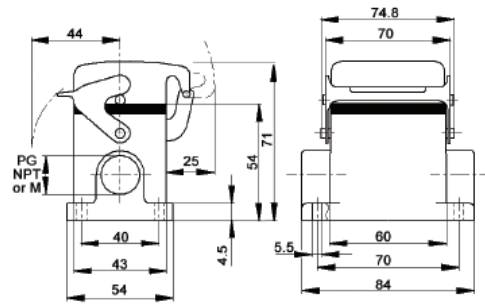
Specifications: DIN 43652
Temperature Range: -40°C to +125°C
Protection class: NEMA 4, NEMA 12, IP65
Material: Aluminum alloy, powder coated

Description	Part Numbers
Panel Mount without Dust Cover	100030C0
Panel Mount with Dust Cover	100040C0



All dimensions are in mm.

SURFACE MOUNT BASES



Specifications: DIN 43652
Temperature Range: -40°C to +125°C

All dimensions are in mm.

Protection class: NEMA 4, NEMA 12, IP65
Material: Aluminum alloy, powder coated

# of Entries	Size of Entry			Part Numbers			Complete your installation with a SKINTOP®, Pg 352			
	PG	NPT	Metric	PG	NPT	Metric	PG- Nylon	PG-Metric	Metric- Nylon	Metric- Metal
2 Entries	16	1/2"	20	100060C0	100060NP	19006000	53015140	52015740	53111020	53112020
1 Entry	16	1/2"	20	100050C0	100050NP	19005000	53015140	52015740	53111020	53112020
	-	-	25	-	-	79005600	-	-	53111030	53112030
2 Entries with dust cover	16	1/2"	20	100090C0	100090NP	19009000	53015140	52015740	53111020	53112020
	-	-	25	-	-	79016600	-	-	53111030	53112030
1 Entry with dust cover	16	1/2"	20	100070C0	100070NP	19007000	53015140	52015740	53111020	53112020
	-	-	25	-	-	79015600	-	-	53111030	53112030

DUST COVERS WITH ATTACHMENT STRING



Material: Thermoplastic Resin

Temperature: -40°C to 125°C

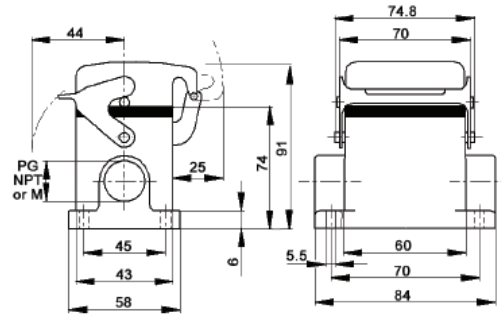
	Part #
Dust cover with single lever and gasket for HBE 6 Hoods	10016500
Dust cover with single lever bolts for HBE 6 Panel Mount or Surface Mount Base/ Cable Coupler Hood	10015000

EPIC® Rectangular Connectors

HBE 6 Housings: Single Lever on Base



HIGH PROFILE SURFACE MOUNT BASES



All dimensions are in mm.

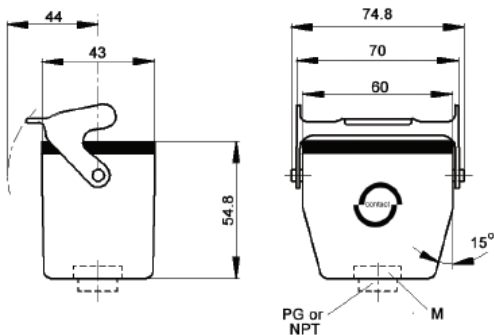
Specifications: DIN 43652
Temperature Range: -40°C to +125°C

Protection class: NEMA 4, NEMA 12, IP65
Material: Aluminum alloy, powder coated

# of Entries	Size of Entry			Part Numbers			Complete your installation with a SKINTOP®, Pg 352			
	PG	NPT	Metric	PG	NPT	Metric	PG- Nylon	PG- Metric	Metric- Nylon	Metric- Metal
2 Entries	21	3/4"	25	70006200	700062NP	79006200	53015150	52015750	53111030	53112030
	29	1"	32	70006400	700064NP	79006400	53015160	52015760	53111040	53112040
1 Entry	21	3/4"	25	70005200	700052NP	79005200	53015150	52015750	53111030	53112030
	29	1"	32	70005400	700054NP	79005400	53015160	52015760	53111040	53112040
2 Entries with dust cover	21	3/4"	25	70016200	700162NP	79016200	53015150	52015750	53111030	53112030
	29	1"	32	700164C0	700164NP	79016400	53015160	52015760	53111040	53112040
1 Entry with dust cover	21	3/4"	25	70015200	700152NP	79015200	53015150	52015750	53111030	53112030
	29	1"	32	70015400	700154NP	79015400	53015160	52015760	53111040	53112040

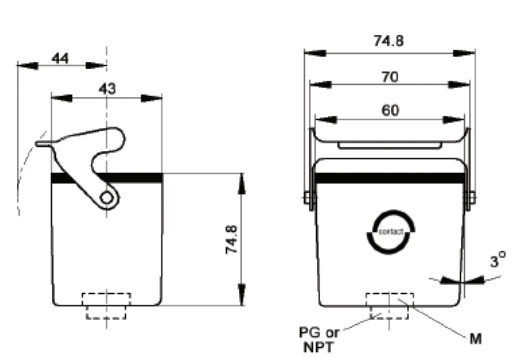
CABLE COUPLER HOODS

STANDARD PROFILE



Specifications: DIN 43652
Temperature Range: -40°C to +125°C

HIGH PROFILE



Protection class: NEMA 4, NEMA 12, IP65
Material: Aluminum alloy, powder coated

Profile	Size of Entry			Part Numbers			Complete your installation with a SKINTOP®, Pg 352			
	PG	NPT	Metric	PG	NPT	Metric	PG- Nylon	PG- Metal	Metric- Nylon	Metric- Metal
Standard Profile	13.5	1/2"	25	100140C0	100140NP	19014000	53015150	52015750	53111030	53112030
	16	1/2"	32	100240C0	100240NP	19024000	53015160	52015760	53111040	53112040
High Profile	21	3/4"	25	70010200	700102NP	79010200	53015150	52015750	53111030	53112030
	29	1"	32	70010400	700104NP	79010400	53015160	52015760	53111040	53112040

Cable coupler metric hoods do not come with a neck.