



## CF-12V2



### CAREFREE RECHARGEABLE - LEAD ACID

<b>Product Name</b>	Sealed Lead Acid(SLA)
<b>Technology</b>	AGM

### APPLICATIONS

Airports; Emergency; Industrial; Medical;  
Military; Navigation; Railroad Signals;  
Residential; Security; Specialized Products;  
UPS/Lighting

### PERFORMANCE SPECIFICATIONS

<b>Voltage (Volts)</b>	12
<b>Capacity (Amp-Hours)</b>	2

### DIMENSIONS AND WEIGHT

<b>Width/Diameter (Inches)</b>	1.38
<b>Length/Depth (Inches)</b>	7.01
<b>Height/Thickness (Inches)</b>	2.4
<b>Weight (Pounds)</b>	2.18

### PRODUCT NOTES

Terminal is tin plated brass, ABS case material

### SPECIFICATIONS CF-12V2

Nominal Voltage ..... 12V

Nominal Capacity at 77°F (25°C)

Voltage readings are per cell

20 Hour Rate

(0.10 amps to 1.75 volts)..... 2.00 ampere hours

10 Hour Rate

(0.18 amps to 1.75 volts)..... 1.80 ampere hours

5 Hour Rate

(0.30 amps to 1.75 volts)..... 1.50 ampere hours

1 Hour Rate

(1.30 amps to 1.60 volts)..... 1.30 ampere hours

1/2 Hour Rate

(2.10 amps to 1.60 volts)..... 1.05 ampere hours

Max. Physical Size:

Length ..... 7.01 inches (178mm)

Width ..... 1.38 inches (35mm)

Height (excluding terminals) ..... 2.40 inches (61mm)

Height (including terminals) ..... 2.64 inches (67mm)

Weight: ..... 2.18 lbs (.99kg)

Energy Density

(20 Hour Rate) ..... 1.04 watt hrs/cu in

(20 Hour Rate) ..... 13.19 watt hrs/lbs

Operating Temperature Range:

Discharge ..... -60°F to +140°F (-51°C to +60°C)

Charge ..... 0°F to +120°F (-18°C to +49°C)

Recharging Methods:

Float Charging: Constant Potential Source of 13.6 to 13.8 volts continuously.

Routine Charging: Constant Potential Source of 14.5 to 14.9 volts with a charging current of 0.8 ampere maximum.

Terminal: Standard is tin plated brass, positive terminal is

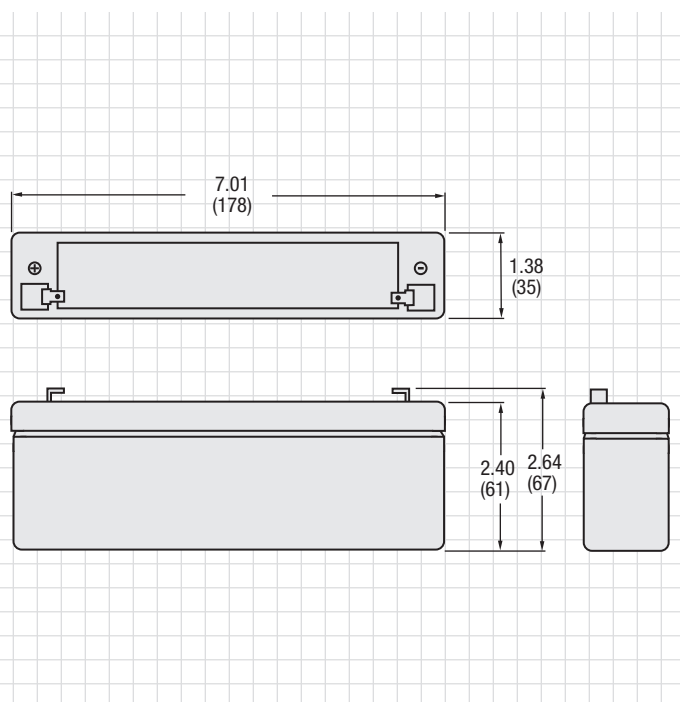
0.030 stock by 0.187 wide, negative terminal is

0.030 stock by 0.187 wide, mates with Amp Faston series or equal.

Case Material: ABS



### PRODUCT SCHEMATIC



Above data are average values which can be obtained within 3 charge/discharge cycles. These are not minimum values.

# MAINTENANCE-FREE RECHARGEABLE BATTERIES