



Hobbs DC Hour Meters

85000 Series Quartz Plus DC Hour Meters



Round Chrome Bezel

Operating Voltage	Part # Flush Cup 2.27"	Part # Flush Cup 2.50"	Part # Stirrup 2.27"	Part # Stirrup 2.50"
10-32 VDC	85002	85006	85004	85008
10-80 VDC	85342	85098		
30-110 VDC	85015	85019	85017	85021

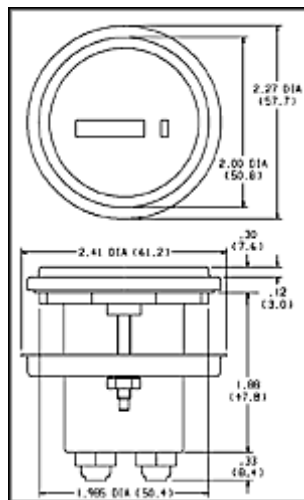


Round Black Bezel

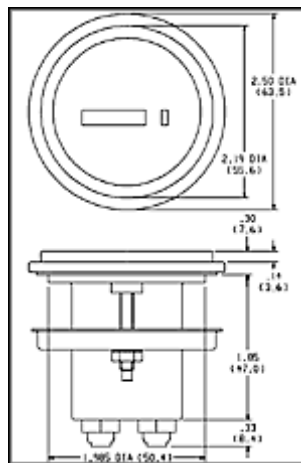
Operating Voltage	Part # Flush Cup 2.27"	Part # Flush Cup 2.50"	Part # Stirrup 2.27"	Part # Stirrup 2.50"
10-32 VDC	85003	85007	85005	85009
10-80 VDC	85093	85099		
30-110 VDC	85016	85020	85018	85022

DC APPLICATIONS

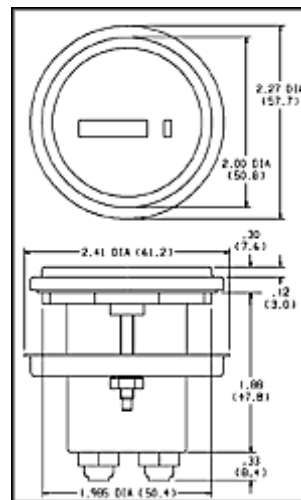
- Lawn Tractors
- Garden Tractors
- Farm Equipment
- Gen Sets
- Construction Equipment
- Utility Vehicles
- Industrial Equipment
- Recreational Vehicles
- Golf Carts
- Aircraft
- Medical Equipment
- Office Equipment
- Any application requiring a very accurate and dependable hour meter.



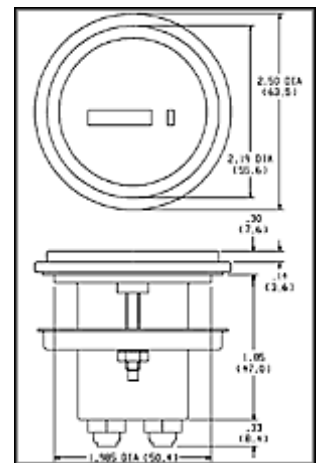
Chrome Flush Mount (Cup)
2.27": Panel cutout 2.00
diameter opening. *



Chrome Flush Mount (Stirrup)
2.5": Panel cutout 2.00
diameter opening. *



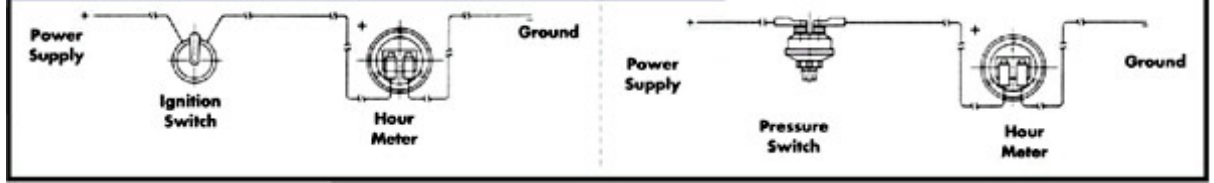
Black Flush Mount (Stirrup)
2.27": Panel cutout 2.00
diameter opening. *



Black Flush Mount (Cup)
2.5": Panel cutout 2.00
diameter opening. *

* Panel cutout dimensions are $\pm .010$ tolerance
All dimensions shown in inches and (metric)

85000 Series Wiring Diagrams (Polarity Sensitive)



CAUTION: Always make sure power is removed from equipment before working on electrical circuits! Only qualified personnel should make electrical connections. Damage to equipment and/or serious bodily injury can result from improperly made electrical connections, or a failure to adhere to normal electrical safety guidelines