

SOLID-STATE OUTPUT
SELF POWERED

AC GO/NO-GO Current Monitor

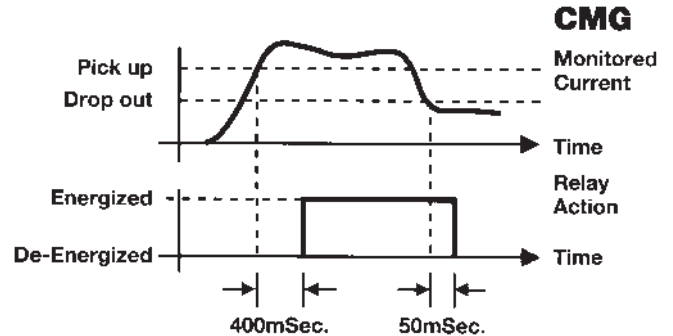
- No physical connection to the AC line that is being monitored
- Magnetically coupled by passing supply line through protruding Current Transformer
- No supply voltage required
- Will operate on 24, 120, 240 or 480 VAC lines
- Easy installation
- 1/4" Quick Disconnect Terminals

SPECIFICATIONS

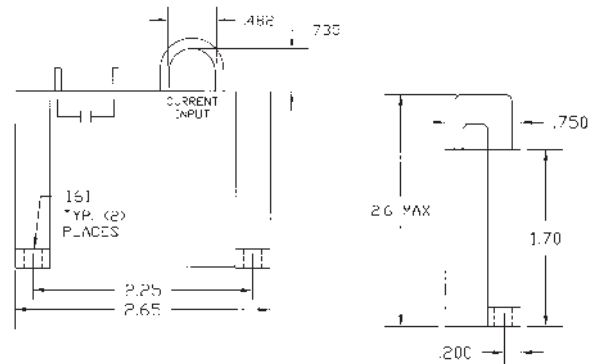
CONTROL VOLTAGE	Not Required	
TRIP POINTS	Pick-up	2 Amps
	Drop-out	25% below Pick-up
OUTPUT	Solid State, SPST-N.O. 1 Amp Resistive; 40 VA Run @ 120 VAC Inductive	
MAXIMUM CONTINUOUS CURRENT	200 Amp turns @ 25°C	
RESPONSE TIME	Operate	2-10 mSEC @ 130 Amps; 400 mSEC @ 10% over
	Release	400 mSEC (Approximately)
ABSOLUTE MAXIMUM OUTPUT VOLTAGE	280 VAC	
ACCURACY	20% on Pick-up	
TERMINATIONS	(2) 1/4" Quick Disconnect Terminals	
RESET	Automatic	
TEMPERATURE RATING	Operate	32° to 131°F (0° to +55°C)
	Storage	-49° to 185°F (-45° to +85°C)
ENCLOSURE	Style "D" Surface Mounted	
WEIGHT	13 oz.	

OPERATION

The CMG-0101 Series is a solid state **self powered** Current Monitor that is used to detect the presence of AC current. When the monitored current exceeds the trip point for longer than 400 mSec., the output energizes (Pick-up). When the monitored current drops below the trip point for longer than 400 mSec., the output de-energizes (Drop-out). No physical connection is required as the line to be monitored is magnetically coupled by passing the conductor through the protruding Current Transformer of the monitor. No external supply is needed to power the monitor.



DIMENSIONS (INCHES)



ORDERING INFORMATION

MODEL NUMBER	DESCRIPTION
CMG-0101	AC GO/NO-GO Current Monitor