



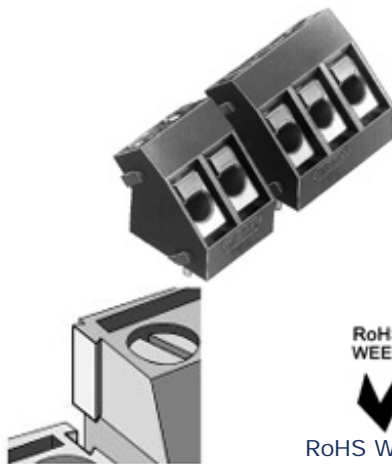
Screw Connectors for Printed Circuit Boards

TYPE 964-T (-DS)

0.2 in. spacing - 2 and 3 poles

[Distributor Stock Check](#)

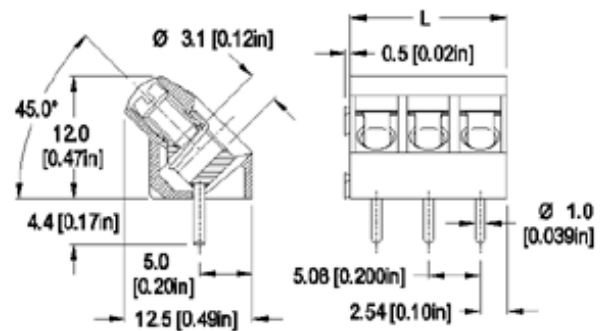
Series	Download PDF	3D Model	Can plug with	How to order	Color specifications	Print
------------------------	------------------------------	--------------------------	-------------------------------	------------------------------	--------------------------------------	-----------------------



Dovetail Interlocking Feature



RoHS WEEE Pb free compliant



Dimensions: mm (in.)

Length of Connector (L)
L = No. of Poles x Center to Center Spacing

When locating connector, allow 0.5 mm clearance around it for process-induced variations.

Description

Can be installed anywhere on PCB without wires or screws interfering with the rest of PCB. Can be located next to each other back-to-back, front-to-front and front-to-back. The screws and wire entries are easily visible, accessible and usable, an ergonomic advantage.

- Dovetail version
- Wire entrance at 45° angle to PC Board
- Can be factory, field or distributor assembled to almost any length

Technical Data

Center to Center Spacing: 5.08 mm (0.200 in.)

Nominal Cross Section:

2.5 mm² (3874 mils²)

Wire Stripping Length: 6.5 mm (0.26 in.)

Recommended Hole Diameter in PC Board:

1.3 mm (0.051 in.)

Approval Information

UL File No.E69841

CSA File No.LR24322

Rating	Current(A)	Voltage(V)	Application group	AWG
UL	20	300	B,D	26-12
CSA	15	300	B,D,E	22-10

* Version DS is CSA certified for 26-10 AWG.
UL: 24-26 AWG range for factory wiring only.

Screw Tightening Torque:

UL: 4.5 lbf·in

CSA: 0.51 Nm

Rated Impulse Withstand Voltage: 2500 V

Material

Molding: Polyamide, self extinguishing UL 94, V-0, color grey

Temperature limits:

Short Time: 140°C (284°F)

Continuous: RTI 105°C (221°F)

Low Limit: -40°C (-40°F)

Comparative Tracking Index: CTI > 600

Oxygen Index Rating: 32%

▲
Top of page

Terminal Body: Tin plated copper alloy

Wire Protector: Tin plated copper alloy

Screw: M3, Slotted head, zinc plated clear passivated, steel substrate

Solder Pin: Ø 1.0 mm (0.04 in.), Tin plated copper alloy

How to order

Item 964-T (-DS)

Options

CN: Consecutive Numbering (hot stamped numbers)

SM: Special Marking (please provide sketch)

G05: Gold Plating (5 micro inches)

G30: Gold Plating (30 micro inches)

S30: Silver Plating (30 micro inches)

XXMM: Longer solder Pins up to 75 mm (3 in.)

Protruding length of pins, in millimeters:

Note: Plated component: terminal body

Request sample

Request quote

Quantity

Accessories

[BST Self Adhesive Marking Strips..](#)

[Consecutively numbered.](#)

[Jumper, Type 970-J1.](#)

[Jumper, Type 970-J2.](#)

WIRE PROTECTOR:
with: - DS

POLES:
02 and 03

964-T

/

Add to shopping cart