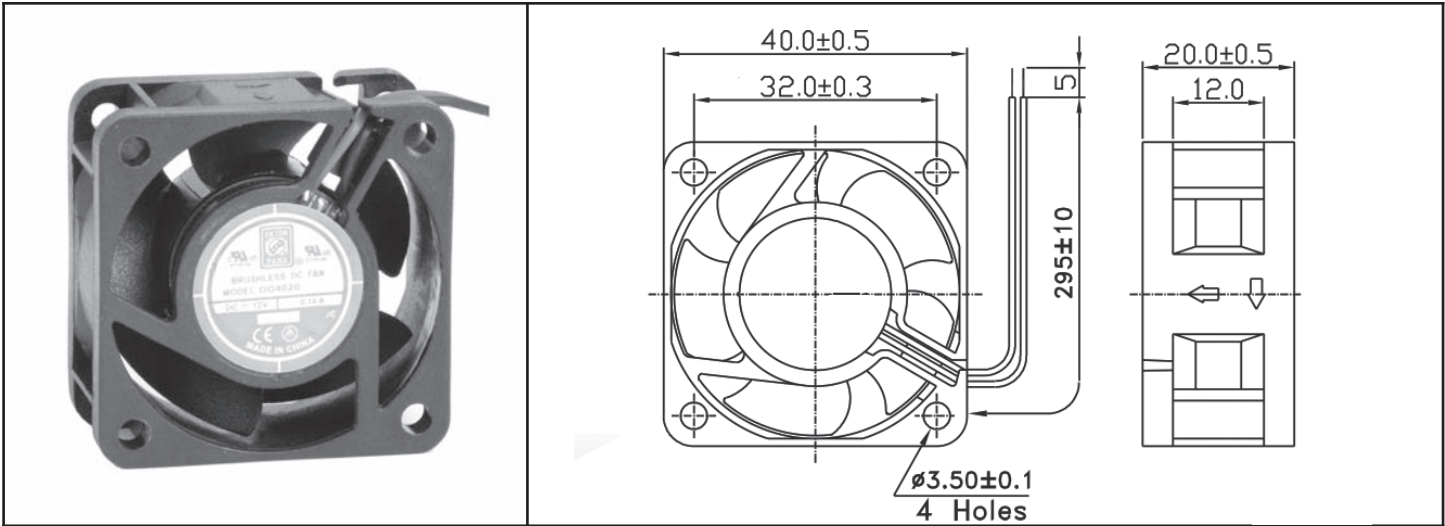


# OD4020 Series



DC Fan - 5, 12, 24V  
40x20mm (1.58"x 0.79")



|                       |  |   |  |
|-----------------------|--|---|--|
| Frame & Impeller      | PBT, UL94V-O plastic   | <b>Available Options:</b><br>Sleeve Bearing<br>Sealed Sleeve Bearing<br>Tachometer<br>Alarm<br>Thermal control<br><br><u>Life Expectancy (L10)</u><br>Ball - 60,000 hrs (45C)<br>Sleeve - 30,000 hrs (45C)<br><br><u>Operating Temperature</u><br>Ball: -20 ~ 80C |  |
| Connection            | 2x Lead wires 26AWG  |   |  |
| Motor                 | Brushless DC, auto restart, impedance and polarity protected |   |  |
| Bearing System        | Ball bearing   |   |  |
| Insulation Resistance | 10M ohm between leadwire and frame (500VDC)                  |   |  |
| Dielectric Strength   | 1 second at 500 VAC, max leakage - 500 MicroAmp              |   |  |
| Storage Temperature   | -30C ~ +90C  |   |  |

| Model Number | Speed (RPM) | Airflow (CFM) | Noise (dB) | Volts DC | Voltage Range (VDC) | Amps | Max. Static Pressure ("H2O) |
|--------------|-------------|---------------|------------|----------|---------------------|------|-----------------------------|
| OD4020-05HB  | 7800        | 9             | 32         | 5        | 4 ~ 7               | 0.25 | 0.30                        |
| OD4020-05MB  | 6900        | 8             | 28         | 5        | 4 ~ 7               | 0.16 | 0.24                        |
| OD4020-05LB  | 6200        | 7             | 24         | 5        | 4 ~ 7               | 0.14 | 0.19                        |
| OD4020-12HB  | 7800        | 9             | 32         | 12       | 7 ~ 14              | 0.10 | 0.30                        |
| OD4020-12MB  | 6900        | 8             | 28         | 12       | 7 ~ 14              | 0.08 | 0.24                        |
| OD4020-12LB  | 6200        | 7             | 24         | 12       | 7 ~ 14              | 0.07 | 0.19                        |
| OD4020-24HB  | 7800        | 9             | 32         | 24       | 10 ~ 27             | 0.07 | 0.30                        |
| OD4020-24MB  | 6900        | 8             | 28         | 24       | 10 ~ 27             | 0.06 | 0.24                        |
| OD4020-24LB  | 6200        | 7             | 24         | 24       | 10 ~ 27             | 0.05 | 0.19                        |

To indicate sleeve bearing replace "B" suffix with "S" in part number (25,000 hrs life expectancy)  
 To indicate sealed sleeve bearing replace "B" with "SS" in part number (45,000 hrs life expectancy)