
MULTI-FUNCTION MODULES



Primary Power Components Division

[AC Receptacles Cross Reference](#)

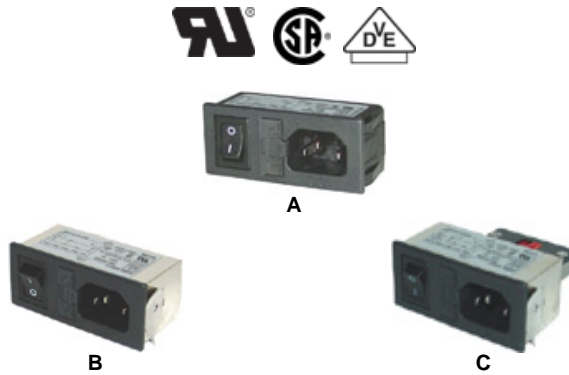
[International Connector Specification Listin](#)

**RoHS
Compliant**

Single Fuseholder Modules IEC320 - C14

Max Rating:

UL 6A/115VAC⁽¹⁾, 10A/250VAC⁽²⁾, 15A/250VAC⁽³⁾
 CSA 4A/250VAC⁽⁴⁾, 5A/250VAC⁽⁵⁾, 6A/250VAC⁽⁶⁾, 10A/250VAC⁽⁷⁾
 VDE 10A/250VAC⁽⁸⁾



Multi-Function Modules. Both snap-in and screw mount incorporates an IEC male power inlet, fuseholder and optional voltage selector and power switch.

Part Number		Description	Housing Type	Terminals	Fuseholder Type	Power Switch	Voltage Selector	Fig.
761-18/003 ⁽¹⁾⁽⁶⁾⁽⁸⁾		Snap-In Mount	Plastic	Solder Tab	5 x 20	SPST	--	A**
761-18/004 ⁽¹⁾⁽⁴⁾⁽⁸⁾		Snap-In Mount	Plastic	Solder Tab	5 x 20	DPST	--	A**
762-18/002 ⁽¹⁾⁽⁶⁾⁽⁸⁾		Snap-In Mount	Metal	.250 Q.D.	5 x 20	SPST	--	B**
762-18/003 ⁽¹⁾⁽⁴⁾⁽⁸⁾		Snap-In Mount	Metal	.250 Q.D.	5 x 20	DPST	--	B**
762-18/004 ⁽¹⁾⁽⁵⁾⁽⁸⁾		Snap-In Mount	Metal	.250 Q.D.	5 x 20	SPST	Rear	C**
762-18/005 ⁽¹⁾⁽⁴⁾⁽⁸⁾		Snap-In Mount	Metal	.250 Q.D.	5 x 20	DPST	Rear	C**

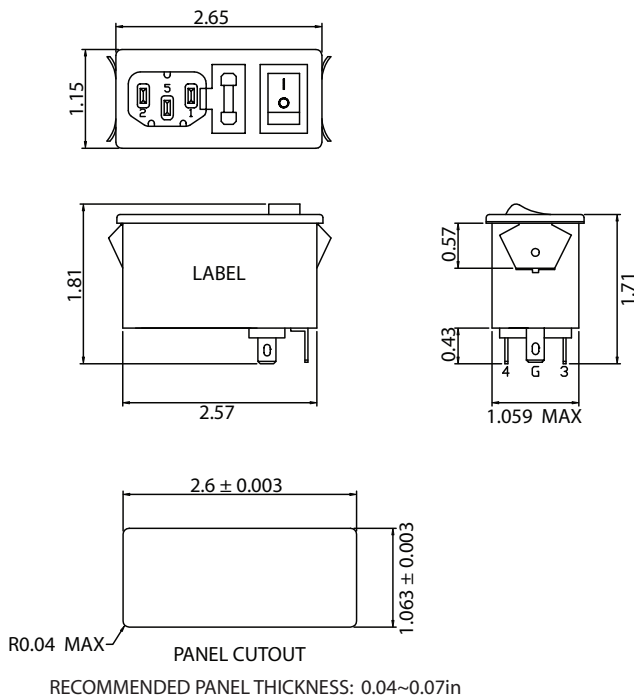
* UL & CSA Only Panel Thickness: 1.0 - 1.6 mm.

**Panel Thickness 1.0 - 1.8 mm.

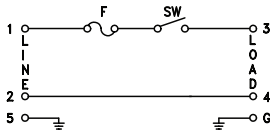
THESE DRAWINGS ARE THE PROPERTY OF QUALTEK ELECTRONICS AND NOT TO BE REPRODUCED FOR OR COMMUNICATED TO A THIRD PARTY WITHOUT THE EXPRESS WRITTEN PERMISSION OF AN OFFICER OF QUALTEK ELECTRONICS.

REVISION		
REV.	DESCRIPTION	APPROVED
B	RoHS Compliancy	DP
C	Updated Specifications	DP

MECHANICAL DIMENSIONS:



ELECTRICAL SCHEMATIC:



ELECTRICAL CHARACTERISTICS:

- 1-1. VOLTAGE RATING.....115/250VAC
- 1-2. CURRENT RATING
 - A. @ 115/250 VAC (UL, CSA)6/6 A RMS MAX
 - B. @ 250 VAC (SEMKO)6 A RMS MAX
- 1-3. OPERATING FREQUENCY..... 50-60Hz
- 1-4. LEAKAGE CURRENT EACH LINE TO GROUND
 - A. AT 115VAC 60Hz.....2uA MAX.
 - B. AT 250VAC 50Hz.....5uA MAX.
- 1-5. HIPOT RATING (FOR ONE MINUTE)
 - A. LINE TO GROUND.....2000 VAC
 - B. LINE TO LINE.....2000 VAC
- 1-6. MINIMUM INSULATION RESISTANCE: @ 500VDC
 - A. LINE & NEUTRAL TO GROUND.....100M OHM
 - B. LINE TO NEUTRAL.....100M OHM
- 1-7. AMBIENT TEMPERATURE 25°C
- 1-8. OPERATING TEMPERATURE -25°C TO +85°C
- 1-9. APPROVALS: UL, CSA, SEMKO
- 1-10. RoHS COMPLIANT

CONTROLLED

Dim range (mm)	Tolerance +/- (mm)	Qualtek Electronics Corp. PPC DIVISION		
0-1	0.15	Part Number:	762-18/002	
1-6	0.20	Description:	MULTI-FUNCTION MODULE	
6-18	0.30		UNIT: in	
18-50	0.50	Drawn / Date		
50-120	0.70	B.ZHANG		
120-250	0.90			
250-500	1.20			