



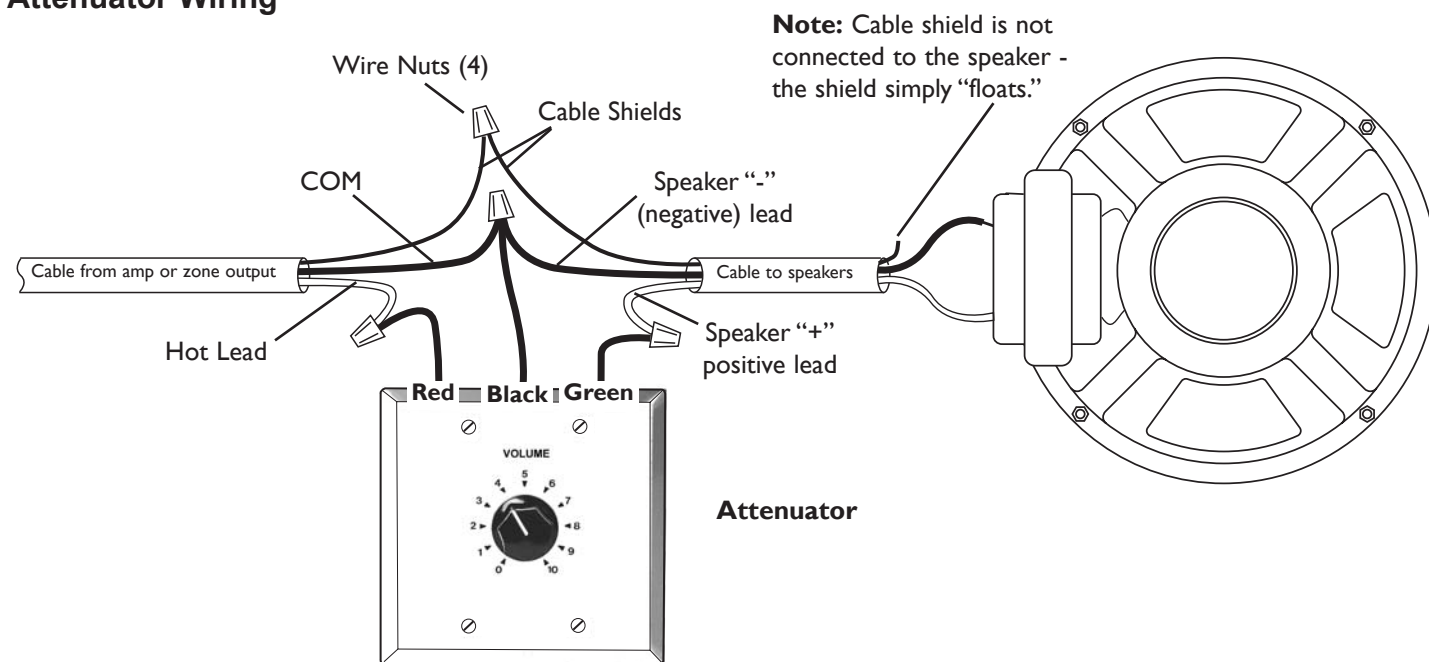
Attenuators For 25V/70V Speaker Line Models AT10A and AT35A

Installation and Use Manual

Speaker Installation

These 10-step plus "off" speaker attenuators allow the volume of a network of 25V or 70V speakers to be controlled from a remote location. The AT10A attenuator can handle speaker loads of up to 10W (max.) and the AT35A attenuator can handle speaker loads of up to 35W (max.). The AT10A fits into a single gang electrical box and the AT35A into a double gang electrical box. Volume reduction takes place in 3 dB increments except for the 2 lowest settings, which provide 6 dB reduction increments. A speaker "off" ("0") position is also provided.

Attenuator Wiring



Attenuator Settings

STEP	ATTENUATION
10	0 dB (Full Volume)
9	-3 dB
8	-6 dB
7	-9 dB
6	-12 dB
5	-15 dB
4	-18 dB
3	-21 dB
2	-27 dB
1	-33 dB
0	Speaker Off

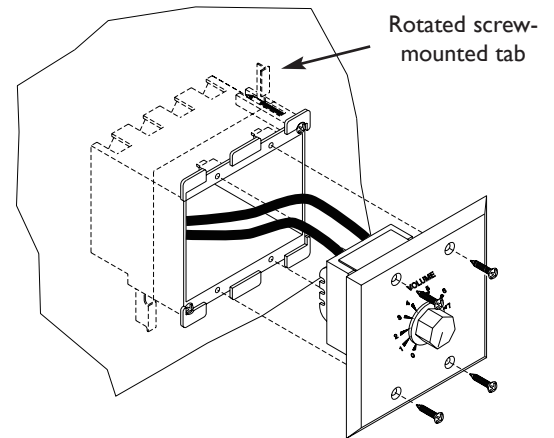
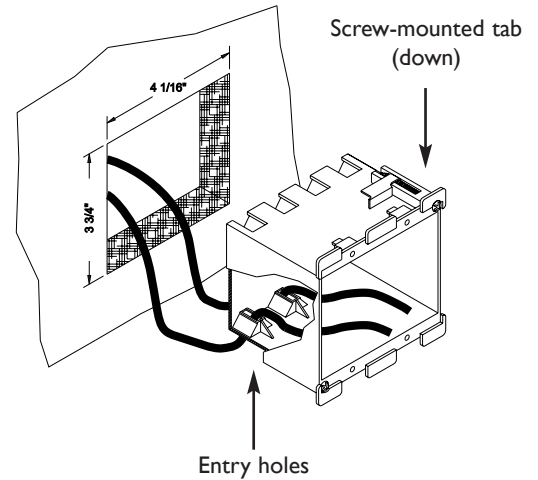
Attenuator Installation

of such damages or losses. Some States do not allow the exclusion or limitation of incidental or consequential damages, so the above limitation or exclusion may not apply to you. This warranty gives you specific legal rights, and you may have other rights which vary from state to state.

- 1) Cut a rectangular hole $4\frac{1}{16}$ " wide and $3\frac{3}{4}$ " high in the sheetrock where the attenuator is to be mounted.
- 2) Pull approximately 12" of the amplifier and speaker cables through the hole.
- 3) Run the separate cables through the electrical box. They should enter the box from the top. The cables should be secured in the box with the provided clips. The cables should be secured in the box with the provided clips. The cables should be secured in the box with the provided clips.
- 4) Rotate the two screw-mounted tabs down against the box and slide the electrical box into the opening until it stops against the wall.

08/10/2004

- 5) Begin to tighten both of the electrical box screws until the box is held firmly in the wall. Rotate the clips on the screws into place and clamp the box against the wall.
- 6) Make all the necessary electrical connections as shown in the "Attenuator Wiring" section on the front of this sheet.
- 7) Remove the protective plastic film covering from the attenuator face plate.
- 8) Mount the attenuator to the electrical box using the 4 screws provided. Using a Phillips head screwdriver, screw the attenuator into place.



BOGEN[®]
COMMUNICATIONS, INC.

50 Spring Street, Ramsey, NJ 07446, U.S.A.

Tel. 201-934-8500, Fax: 201-934-9832, www.bogen.com