

Schneider Electric USA
1300 S. Wolf Road
Des Plaines, IL 60016
Phone: (847) 441-2526
Fax: (847) 441-2522
Email: relays@magnecraft.com

Magnecraft Relay: 199DBX-16

COIL

Nominal Voltage: 48 VDC
Coil Resistance: 1,200 Ohms \pm 10%
Pull-In Voltage: 85% of nominal voltage
Drop-Out Voltage: 10% of nominal voltage
Max. Coil Voltage: 110% of nominal voltage
Coil Power: 4 W (approx.)
Insulation System: Class "B" coil system
(130C per UL Std. 1446)

CONTACTS

Contact Configuration: SPST-NO-DM
Contact Ratings: 40 A @ 300 VAC (50/60 Hz)
40 A @ 28 VDC
20 A @ 100 VDC
8 A @ 220 VDC
4 A @ 325 VDC
2 A @ 500 VDC
2 HP @ 120-600 VAC
A600 Pilot Duty

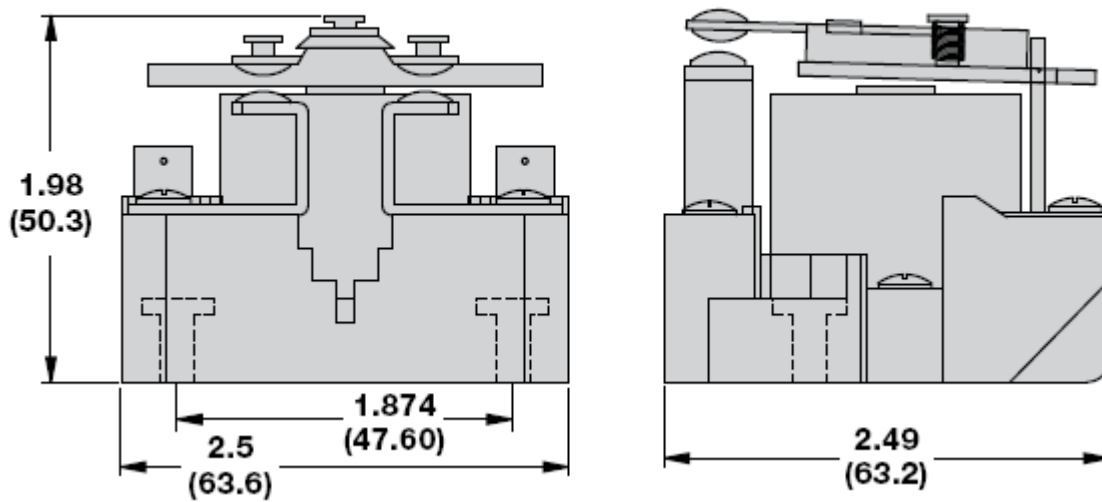
OTHER

Operate Time: 30ms maximum
Release Time: 30ms maximum
Dielectric Strength: 2,200 Vrms (coil and contacts)
2,200 Vrms (contacts to frame)
2,000 Vrms (adjacent poles)
1,500 Vrms (open contacts)
Insulation Resistance: 1,000 Megaohms minimum @ 500 VDC
Temperature:
 Ambient: -55 to +55 C
 Storage: -55 to + 100 C
Weight: 8.0 to 11.0 oz. (227 to 312 grams)
Agency Certifications: UL, CSA, CE, RoHS

CONSTRUCTION

Features: Blowout magnet
Coil Terminals: 6-32 combo head screws
Contact Terminals: 8-32 combo head screws
Max. Screw Torque: 11-15 lb-in (1.2-1.7 Nm)

SPST-NO-DM



RELAY WIRING DIAGRAMS

