


## HBL2316 -- Twist-Lock Flanged Receptacle



2P3W, 20A 125V, L5-20R, White Nylon

### Product Specifications

<b>Product Type</b>	 <p><b>Twist-Lock Devices</b></p>
<b>Product Item</b>	Flanged Receptacle
<b>Wiring Scheme</b>	2 Pole, 3 Wire Grounding
<b>Amperage</b>	20A
<b>Voltage</b>	125V AC
<b>NEMA Configuration</b>	L5-20R
<b>Item Style</b>	Standard
<b>Device Color</b>	White
<b>Horsepower</b>	1
<b>Terminal Retainer Material</b>	Clear polycarbonate
<b>Terminal Clamp Material</b>	.08" (2) steel-nickel plated
<b>Terminal Screw Material</b>	#10-32 Brass (white finish on neutral screw when used) Multi-drive
<b>Ground Screw Material</b>	#10-32 Brass (green finish) Multi-drive

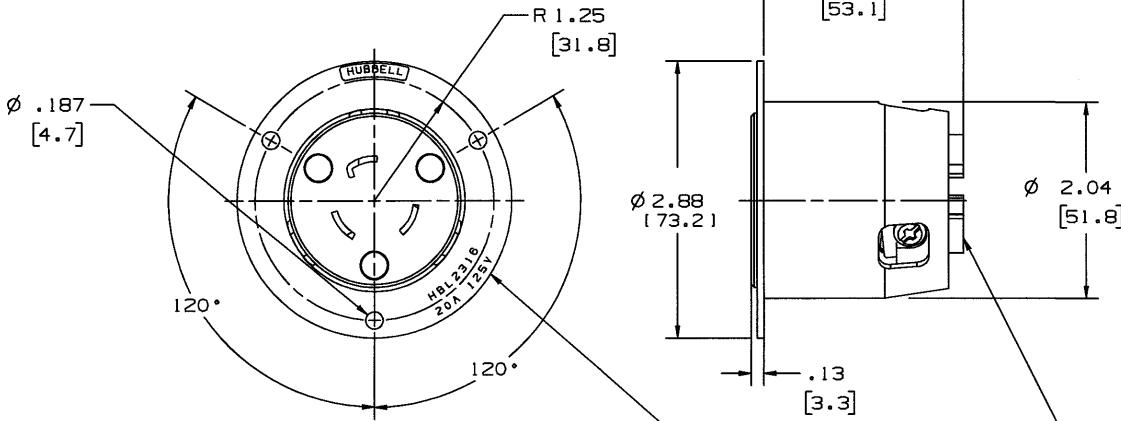
<b>Body Holding Screw Material</b>	Steel, zinc plated Multi-drive
<b>Body Contact Carrier Material</b>	Natural White Nylon
<b>Contact Spring Material</b>	Brass
<b>Spring Binding Plate Material</b>	Brass
<b>Flanged Casing Material</b>	Natural White Nylon
<b>Mounting Screw Material</b>	Nickel-plated Brass Round head screws
<b>Ground Contact Material</b>	.031" (.8) Brass
<b>Ratings</b>	Molded into face.
<b>Catalog No.</b>	Ink marked on nylon casing.
<b>Dielectric Voltage Withstand</b>	2,000V minimum.
<b>Current Interrupting</b>	Certified for current interrupting at full rated current.
<b>Temperature Rise</b>	Max 30C temperature rise at full rated current after 50 cycles of overload at 150% of rated current at a power factor of .75.
<b>Terminal Accommodation</b>	20A #12 AWG
<b>Terminal Identification</b>	Terminals identified in accordance with UL 498 (X, Y, Z, White, Green)
<b>Flammability</b>	UL 94 VO for Receptacles and Inlets. HB or better for Plugs and Connectors.
<b>Operating Temperatures</b>	Maximum Continuous 75 C Minimum -40 C (w/o impact)
<b>Listings</b>	FED SPEC UL/CSA
<b>Feature Info</b>	Nylon casing, back wired.
<b>M Drawings</b>	<a href="#">Click here for M-Drawing</a>
<b>Catalog Page</b>	<a href="#">Click here for catalog page B22</a>
<b>Brochures</b>	<a href="#">Click here for product brochure</a>
<b>Hubbellnet</b>	<a href="#">Click here for Hubbellnet</a>
<b>Catalog Section</b>	<a href="#">Click here for Section-B</a>
<b>UPC Number</b>	78358503780
<b>Weight in LBs</b>	0.25



NEMA  
Configuration



M-7909 3



CAT NO. & RATING  
PRINTED ON FLANGE  
COLOR CODE BY  
VOLTAGE

TERMINALS WILL ACCEPT  
16AWG TO 8AWG WIRE

LEGEND:  
IN.  
[ mm ]

NEMA NO.	RATING	POLE/WIRE GROUNDING	CAT NO.	VOLTAGE COLOR CODE
L5-20R	125V	2P/3W GROUNDING	HBL2316	YELLOW
L6-20R	250V	2P/3W GROUNDING	HBL2326	BLUE
L7-20R	277VAC	2P/3W GROUNDING	HBL2336	GRAY
L8-20R	480VAC	2P/3W GROUNDING	HBL2346	RED
L9-20R	600VAC	2P/3W GROUNDING	HBL2356	BLACK

NOTE:  
ALL SCREWS ARE COMBINATION PHILLIPS/SLOTTED/ROBERTSON HEAD.

LIST OF PARTS

DESCRIPTION	MATERIAL	FINISH
CASING	NYLON	NATURAL
CONTACT BODY	NYLON	NATURAL
RETAINER	POLY CARBONATE	CLEAR
CONTACTS	.031 BRASS	
WIRE CLAMP	.080 CRS	NICKEL PLATE
#10 TERMINAL SCREWS	BRASS	*
#10 GROUND SCREW	BRASS	GREEN
ASSEMBLY FASTENERS	STEEL	ZINC PLATE
#8 MOUNTING SCREWS	BRASS	NICKEL PLATE

\* WHITE FINISH ON NEUTRAL CONTACT WHEN USED

REV	REVISIONS	APP	DATE
3	REMOVED CANADIAN CATALOG PER DCN #7772. AMZ	DJ (DJP)	8/24/00
2	REVISED NOTE; REVISED SCREW TO TRI-DRIVE PER DCN 7633 RCM	DJ (DJP)	6/21/00
1	RELEASED PER DCN 5220-13 B.C.	DJP	03/12-98

THE DESIGN AND DIMENSIONS OF THE PRODUCT SHOWN ON THIS DRAWING ARE SUBJECT TO CHANGE WITHOUT NOTICE

TITLE  
20A 3-WIRE  
TWIST-LOCK  
FLANGE RECEPTACLE

TOLERANCES UNLESS OTHERWISE SPECIFIED	WIRING DEVICE-KELLEMS HUBBELL INCORPORATED BRIDGEPORT, CT	
FRACTIONS N/A	DR. BY B.C.	APP. BY DJP
DECIMALS N/A	TR. BY	SCALE 1:1
ANGLES N/A	CHK'D BY DJP	DATE 02/12/98

CODE 74545

QUESTION SHEET FOR CAT. NO. SEE TABLE

REPAIRABLE

NON-REPAIRABLE

B

M-7909

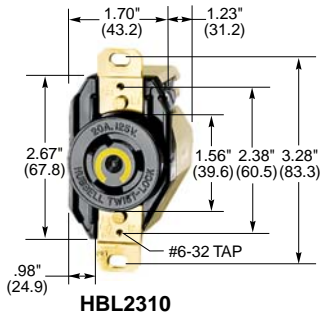
3

## TWIST-LOCK® Devices

### 2 Pole, 3 Wire Grounding

20 Ampere, 125, 250 Volts and 277 Volts AC

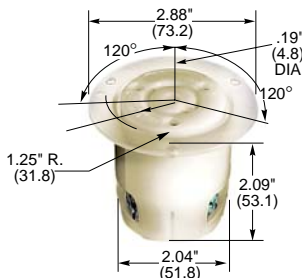
Receptacles, INSULGRIP® Connector Bodies, Flanged Devices and Plugs



**HBL2310**



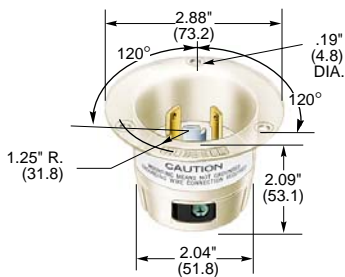
**HBL2313**



**HBL2316**



**HBL2311**



**HBL2315**



NEMA L5-20R  
20A 125V  
UL/CSA  
1 HP



NEMA L6-20R  
20A 250V  
UL/CSA  
2 HP



NEMA L7-20R  
20A 277V AC  
UL/CSA  
2 HP

### Single Flush Receptacles, Back and Side Wired

Description	Catalog Numbers		
Black nylon face.	<b>HBL2310</b>	<b>HBL2320</b>	<b>HBL2330</b>
Isolated ground, orange nylon face.	<b>IG2310</b>	<b>IG2320</b>	—
Corrosion resistant, yellow nylon face.	<b>HBL23CM10</b>	—	—

### Insulgrip Connector Bodies IP20 SUITABILITY

Description	Catalog Numbers		
Black and white nylon.	<b>HBL2313</b>	<b>HBL2323</b>	<b>HBL2333</b>
Corrosion resistant, yellow nylon.	<b>HBL23CM13</b>	<b>HBL23CM23</b>	—

Note: Cord clamp range .360"-.930" (9-24).

### Insulgrip Flanged Receptacles

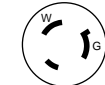
Description	Catalog Numbers		
Nylon casing, back wired.	<b>HBL2316</b>	<b>HBL2326</b>	<b>HBL2336</b>



NEMA L5-20P  
20A 125V  
UL/CSA  
1 HP



NEMA L6-20P  
20A 250V  
UL/CSA  
2 HP



NEMA L7-20P  
20A 277V AC  
UL/CSA  
2 HP

### Insulgrip Plugs IP20 SUITABILITY

Description	Catalog Numbers		
Black and white nylon.	<b>HBL2311</b>	<b>HBL2321</b>	<b>HBL2331</b>
Corrosion resistant, yellow nylon.	<b>HBL23CM11</b>	<b>HBL23CM21</b>	—

Notes: Cord grip range .360"-.930" (9-24).  
See page B-73 for Add-A-Shroud™ kit.

### Insulgrip Flanged Inlets

Description	Catalog Numbers		
Nylon casing, back wired.	<b>HBL2315</b>	<b>HBL2325</b>	<b>HBL2335</b>

Notes: See pages B-68 and B-69 for accessories.  
See page B-63 for switched enclosure.  
For technical information see page B-83.  
HP ratings are AC only.  
Only receptacles and plugs are HP rated.