

Item # 732-0002 VDC, Clip Flush Rectangular



VDC, Clip Flush Rectangular

The Redington Model 732 provides a DC Hour Meter with an operating range of 10-80VDC. Models are protected for two times battery voltage and/or reverse polarity. Models are available in the standard industry housings. Its quartz time base insures accurate long-term time keeping. The Totally Sealed case protects against the environment and provides years of reliable service. All applicable models are NEMA 4X, 12 rated when mounted with optional gasket.

Specifications

Model No.	732
Mounting	Clip Flush-Rectangular
Reset	Non-reset
Termination	1/4 inch (6.3mm) spade terminals
Display	6 - digits, 0.125 inch (3.2mm) 99999.9 Hours - white on black Tenths - red on white
Display Height	0.125 Inch
Display Height	3.2 mm
No. of Digits	6
Records	99999.9 hours
Accuracy	± 0.02 over entire range
Input Voltage	10-80 VDC
Power	0.3 watts at 12VDC
Operating Temperature	-40 to +185 °F
Operating Temperature	-40 to +85 °C
Case Material	Black Polymer
Weight	2 oz
Weight	57 gm

Panel Cutout	1.45 x 0.95 Inch
Panel Cutout	36.8 x 24.1 mm
Approvals	UL/CSA Recognized, CE Compliant
Environmental Protection	Totally sealed
Vibration	10-75 Hz
Stock Availability	Yes
Max. Panel Thickness	0.03 to 0.63 Inch
Max. Panel Thickness	0.76 to 16.00 mm
Accessory	5003-009 (NEXA 4X, 12 Gasket)



Description

The Redington Model 732 is available in four styles: 3-Hole Round, Flush-Rectangular, Flush-Round and 2-Hole Rectangular. Models 732-0002 and 732-0004 fit a panel opening of 1.45" X 0.95" [36.8mm X 24.1mm]. The Flush-Round Model 732-0003 and 3-Hole Model 732-0001 fit a panel opening of 2.0" [50.6mm]. Its quartz time base insures accurate long-term time keep. It is NEMA 4X,12 rated when mounted with optional gasket.

Features

- Operating voltage 10-80VDC
- Totally sealed
- UL/CSA Recognized, CE Compliant
- 6 Figure, 99999.9
- Quartz accuracy

Options

- Wire leads
- 3-hole mount gasket kit (part# 5003-007S) (for NEMA 4X, 12 rating)

Specifications

Figures: 6 - digits, 0.125" [3.2mm] 99999.9
 Hours - white on black
 Tenths - red on white
Reset: Non-reset
Voltage: 10-80VDC
Power: 0.3 watts @ 12VDC
Mounting: Clip or mounting holes
Termination: ¼" [6.3mm] spade terminals
Weight: 2.0 oz [57 g]

Accuracy: ± 0.02 over entire range
Case Material: Black polymer
Agency Approvals: UL/CSA Recognized, CE Compliant
Environmental: Totally sealed (all models)
Front Panel: Model: 732-0001, NEMA 4X, 12 rated with optional gasket (part# 5003-007S)
Temperature: -40°F to +185°F [-40°C to + 85°C]
Vibration: 10-75 Hz @ 1 to 8g's

Models Description

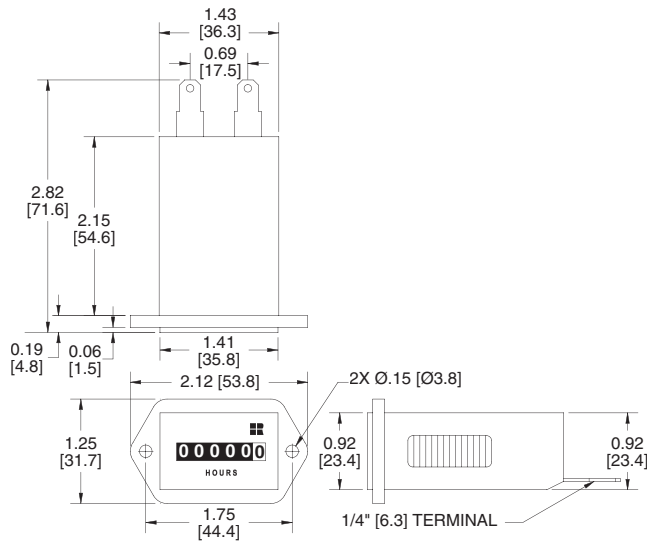
732-0001	3-Hole Round,	10-80VDC,	¼" [6.3mm] spade terminals,	hours & 1/10's
732-0002	Flush-Rectangular,	10-80VDC,	¼" [6.3mm] spade terminals,	hours & 1/10's
732-0003	Flush-Round,	10-80VDC,	¼" [6.3mm] spade terminals,	hours & 1/10's
732-0004	2-Hole Rectangular,	10-80VDC,	¼" [6.3mm] spade terminals,	hours & 1/10's
5003-007S	NEMA 4X, 12 Gasket kit and hardware for 3-Hole Round model (732-0001)			

* All items are normally in factory stock.



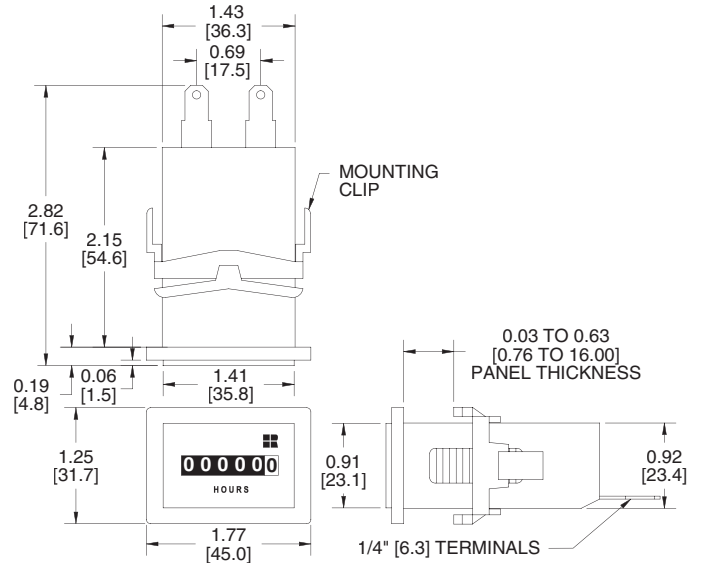
Dimensions

2-Hole



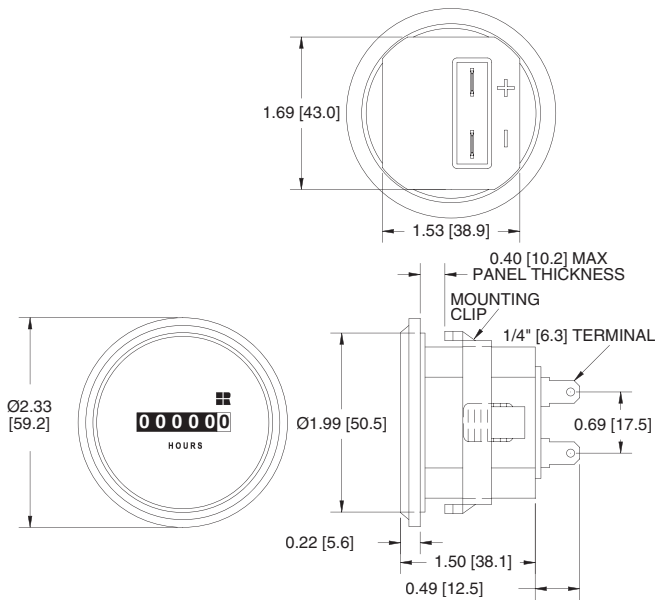
Panel Opening: 1.45" X 0.95" [36.8 X 24.1]

Flush-Rectangular



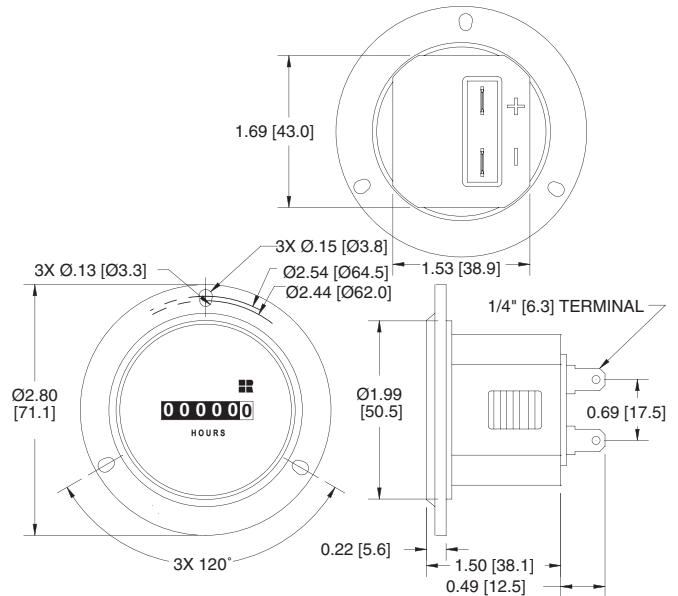
Panel Opening: 1.45" X 0.95" [36.8 X 24.1]
Maximum Panel Thickness: 0.03 to 0.63 [0.76 to 16.00]

Flush-Round



Panel Opening: 2.0" [50.6]
Maximum Panel Thickness: 0.40 [10.2]

3-Hole Round



Panel Opening: 2.0" [50.6]

Applications

Medical Equipment



Outdoor power equipment



Utility Vehicles

