

Power Feed Devices

Application examples:

Easy connection of the power supply wires to the busbar/MCB. Power Feed Devices ensures permanent connection.

Type Designation

$\frac{P}{(c)}$ $\frac{50}{(b)}$ $\frac{U}{(c)}$ $\frac{T}{(d)}$

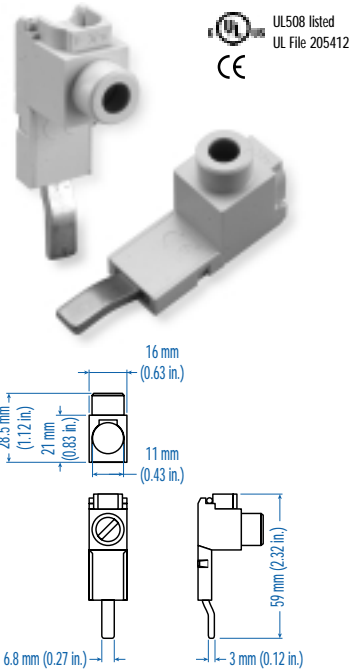
(a) = Power Feed lug/block

(b) = 50mm² or 95mm² cross-section area

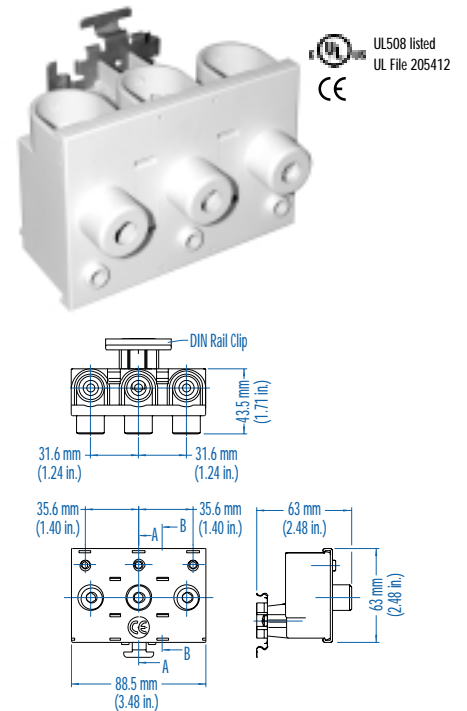
(c) = USA and Canadian design basics

(d) = T-Terminal connection
B-Busbar connection

Power Feed Lug

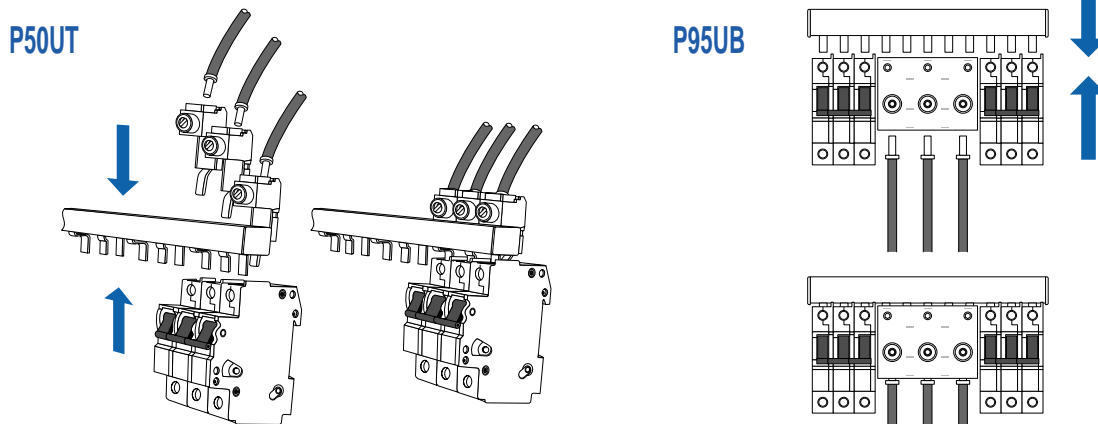


Power Feed Block*



Type/Cat. No.	P50UT	P95UB
Electrical Ratings	115A/480VAC	200A/480VAC
Terminal Site Acceptability	10-1 AWG	1-4/0 AWG
Recommended/Required Torque	4.5Nm (40lb. in.)	19.5Nm (175lb. in.)
Material of Lug	MS58 Brass	MS58 Brass
Insulation Material	Zytel FR 72G25-V Plastic	Zytel FR 72G25-V Plastic
For use with	18 and 25mm ² 1-3 phase Busbar	18 and 25mm ² 3 phase Busbar

Assembly Instructions



The power feed lugs (Cat. # P50UT) fit together with the lugs of the busbar in the terminals of the MCB/MA.

Miscellaneous Accessories

End Caps



18/25CAP3P

18/25mm² 2&3 phase Busbar

Insulation Caps



BRS5

18/25mm² 1-3 phase Busbar

Type/Cat. No:

For use with: