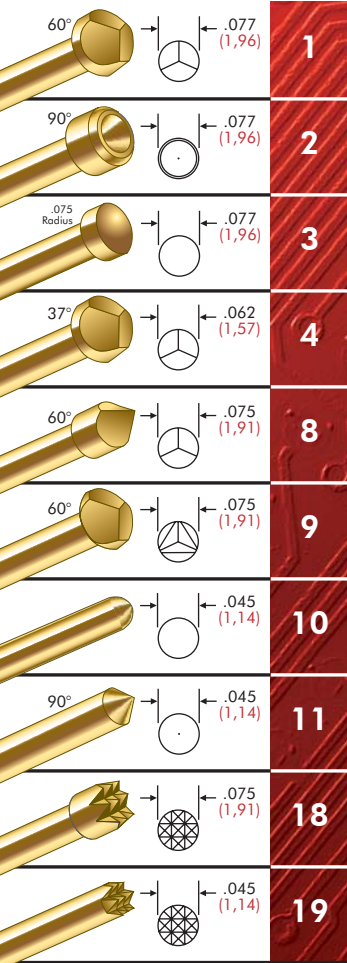


BeCu PLUNGERS



PROBE SPECIFICATIONS

Minimum Centers: .100 (2,54)

Current Rating: 3 amps continuous

Spring Force: 3.8 or 7.0 oz. @ .050 (1,27) travel

Contact Resistance:

SS: <65 mΩ

GSS: <30 mΩ

Maximum Travel: .060 (1,52)

*for SS-8 .050 (1,27)

Rated Force oz (gms)	Preload oz (gms)	Material
3.8 (108)	1.6 (45)	SS
7.0 (198)	1.3 (37)	MW

RECEPTACLE SPECIFICATIONS

Connections:

RSS-100-CR: Crimp

RSS-100-NT: No Tail

RSS-100-WW: Wire Wrap,

.025 square post

.420 (10,67) length

RSS-100-RP: Round Post,

.028 (0,71) diameter,

.220 (5,59) length

Recommended Wire:

28-30 gage

Drill Size: #30

Mounting Hole Size:

.068/.070 (1,73/1,78)

MATERIALS

Barrel: SS: Nickel/silver
GSS: Nickel/silver, gold plated

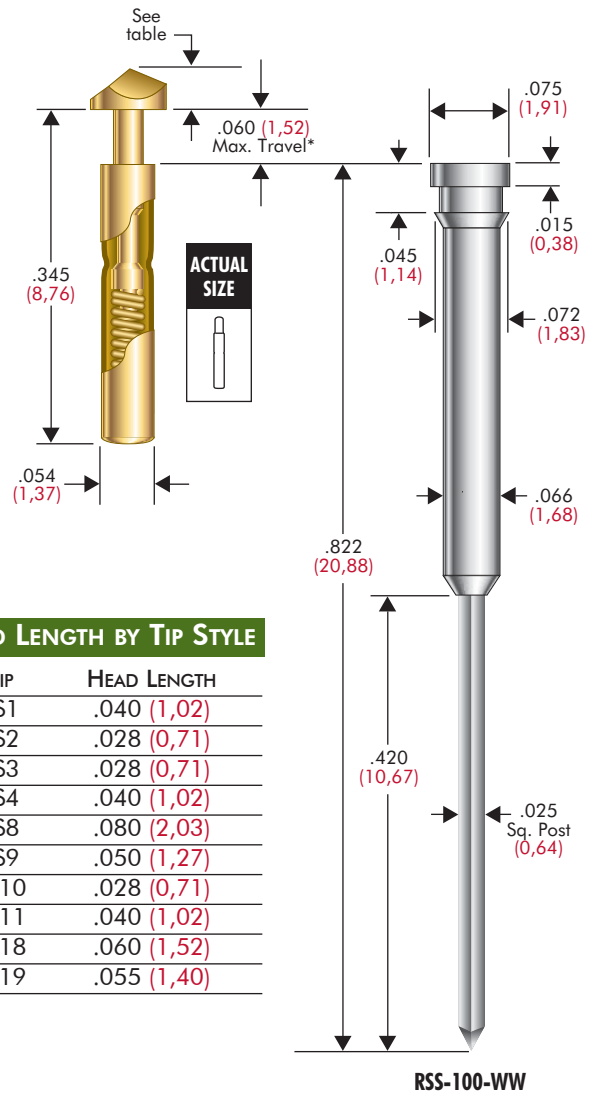
Spring: SS: Stainless steel or music wire

GSS: Stainless steel or music wire, gold plated

Plunger: Full-hard beryllium copper, gold plated over nickel

Receptacle: Nickel/silver

SS-100/GSS-100 PROBE AND RECEPTACLE



HEAD LENGTH BY TIP STYLE

TIP	HEAD LENGTH
SS1	.040 (1,02)
SS2	.028 (0,71)
SS3	.028 (0,71)
SS4	.040 (1,02)
SS8	.080 (2,03)
SS9	.050 (1,27)
SS10	.028 (0,71)
SS11	.040 (1,02)
SS18	.060 (1,52)
SS19	.055 (1,40)

HOW TO ORDER: SPRING CONTACT PROBE

SS SERIES
1 TIP STYLE
3.8 SPRING FORCE
G PLATING OPTIONS

SERIES:

SS: Nickel/Silver Barrel
GSS: Gold Plated Barrel

CRIMPING PLIERS: CPSS100

SPRING FORCE:

3.8 oz. @ .050 (1,27) travel
7.0 oz. @ .050 (1,27) travel

INSERTION TOOL: RTSS100

RECEPTACLE

RSS SERIES
100 SIZE
WW TERMINATION

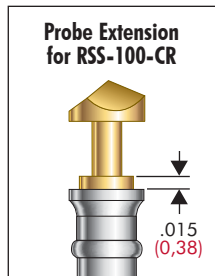
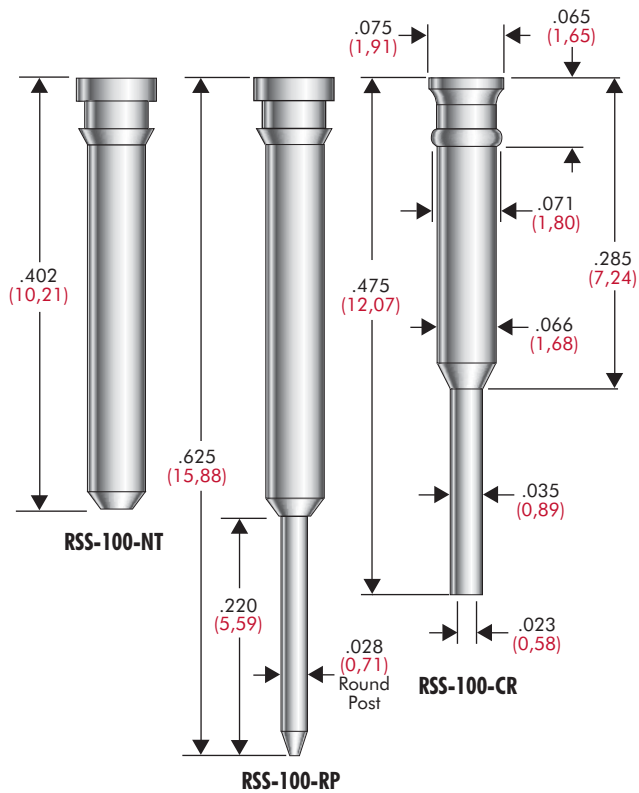
TERMINATIONS:

CR: Crimp
RP: Round Post
NT: No Tail
WW: Wire Wrap

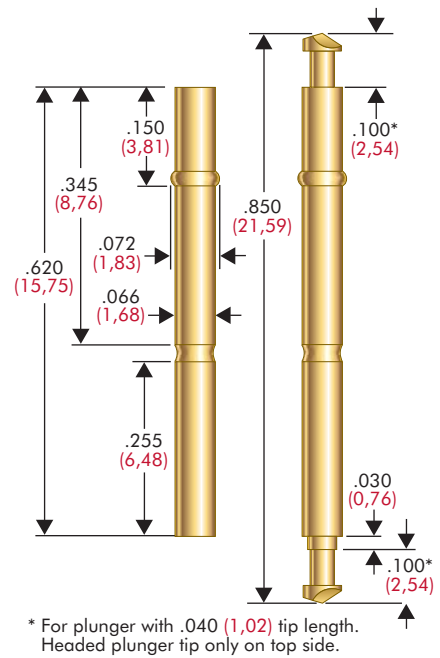
View updates of this information at <http://www.idinet.com>

Specifications subject to change without notice. Dimensions in inches (millimeters)

SS-100/GSS-100 RECEPTACLES



RSS/SS RECEPTACLE



RECEPTACLE SPECIFICATIONS

Minimum Centers: .100 (2,54)

Drill Size: #50
Mounting Hole Size: .068/.070 (1,73/1,78)

MATERIALS

Standard Series: Nickel/silver

High Performance Series:
Nickel/silver, gold plated
over nickel

This receptacle houses an
SS100 or GSS100 on each end.

HOW TO ORDER

Standard Series: RS-SS/SS
High Performance: R-SS/SS