



AdaptaBeacon® Strobes

**PLC Compatible
Type 4X**

104ST Series

FEATURES

- > NEMA Type 4X Enclosure
- > Panel or conduit mounted
- > 300,000 peak candela
- > 18 inch wire leads
- > Immune to shock and vibration

AGENCY APPROVALS

- > UL 1638 Listed
- > cUL Listed C22.2 No. 205
- > CE Marked Low Voltage Directive and EMC Directive
- > UL Listed NEMA Type 4X

The Edwards 104ST Series AdaptaBeacon strobes are designed for light duty applications in industrial, commercial and institutional applications where short term intermittent visual signaling is required. The strobe unit provides a bright indication utilizing special optics within a shatter resistant polycarbonate lens mounted on a polycarbonate/ABS blend base.

Suitable for indoor or outdoor installation. When mounted outdoors lens should be mounted facing up. May be panel mounted using the provided locknut or conduit mounted.

An integral double threaded (internal/external) mounting nipple accommodates 3/4" (19mm) or 1/2" (13 mm) conduit mounting.

Edwards strobe lights are particularly effective in high noise areas where ear protection must be worn and audible signals may not be heard or understood. They can advise personnel in manufacturing and process areas when an operation is starting or stopping.

Often used to signal malfunctions in equipment, such as assembly line jams. Can warn personnel that they are entering a restricted area or an area of high danger.

D-04

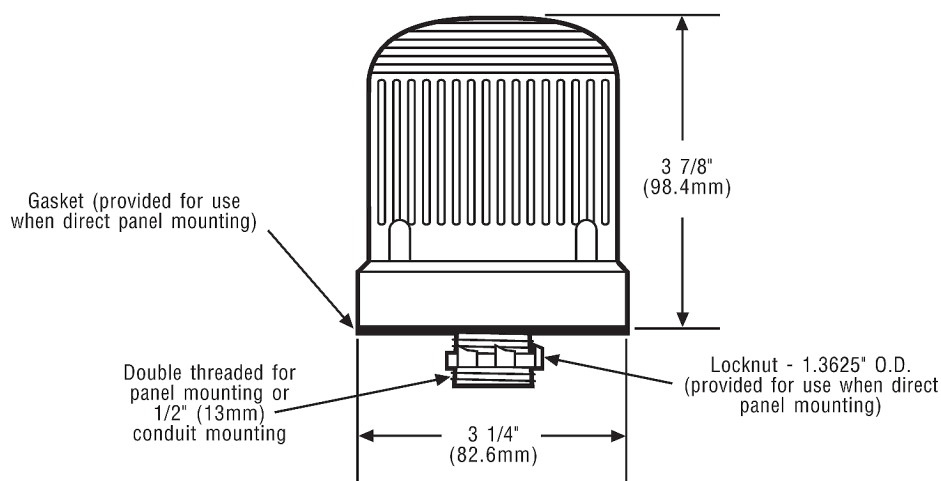
3-74



© Copyright 2004 Edwards



TECHNICAL INFORMATION



Cat. No.	Lens Color	Replacement Lens Cat. No.	Strobe Tube	Peak Candlepower	Electrical Ratings	Replacement Lamp Cat. No.
104STA-N5	Amber	104-LA	3,000 hr*	300,000	120V 50/60 Hz	91B-ST
104STB-N5	Blue	104-LB			0.12 Amps	
104STC-N5	Clear	104-LC				
104STG-N5	Green	104-LG				
104STR-N5	Red	104-LR				

*Calculated strobe tube life at operating power to 75% efficiency.

SIGNAL INPUT LOAD CHARACTERISTICS*

Cat. No.	Operating Voltage	Max. off state leakage current (mA)	Continuous on Current (mA)	Surge (inrush/duration) Amps/milliseconds
104ST()-N5	120V AC	25	120	2.1/1

*This device is PLC compatible and may be operated by PLCs with output characteristics that match the input load requirements of this signal.