



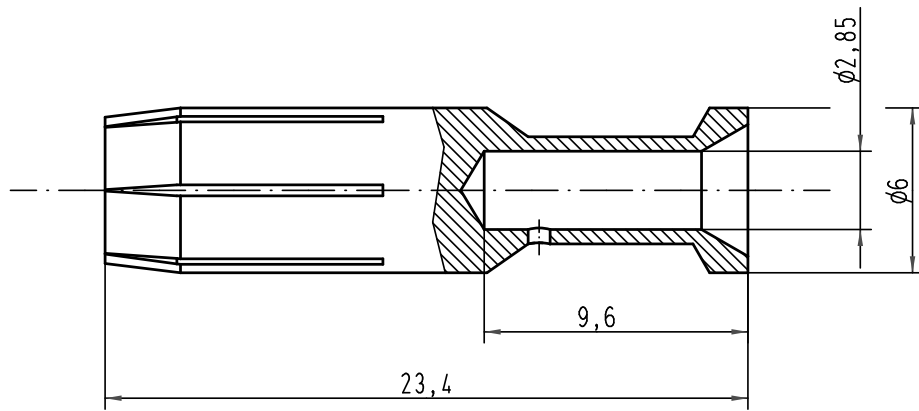
Product details

09 32 000 6207

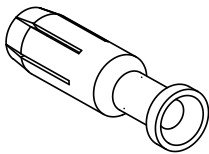
Female contact



Contact type	Power contact Han® K 12/2 + 6/36
Cross section	4.0 mm ²
Plating	Silver plated
Application	browsing..
Series	Han® Q
RoHS compliant	Yes

Alle Rechte vorbehalten / All rights reserved



Leiterquerschnitt / wire gauge: 4mm² / AWG 12
 Abisolierlänge / stripping length: 9,5mm



 All Dimensions in mm Original Size DIN A 4			Techn. Character.			Nicht tolerierte Masse! Free size tolerances	
Mod.	Dat.	Name	Dat.	Name	Masstab/Scale		
			Detail.	20.12.05	Ho	5:1	Han C Buchsenkontakt, gedreht 40A Han C female contact, turned 40A versilbert / silver plated
			Insp.		SP		
			Stand.				
413759	19.03.08	Rull					
412400	29.08.06	ML					
411928							
			HARTING Electric GmbH & Co. KG D-32339 Espelkamp				
						TB 09 32 000 6207	
						Sub. TB 09 32 000 620. v. 18.06.99	
							Blatt/ page