

Back

- o Flat Cable Connectors SEK
- o *har-mik*®
- o D-Sub
- o InduCom

➔ Applications

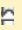


Product details

09 21 007 3031

Male insert, Han 7 D

Series	Han D®, Han D® AV
Number of contacts	7 poles + PE
Size of hood/housing	Han® 3 A
Termination	Crimp termination
Insert material	Standard material
Contacts	Order separately
Housing material	Plastic
Electrical data	10 A 250 V 4 kV 3
RoHS compliant	Yes

Available Downloads

Title	Format	
Data sheet	PDF	 download
CAD data 2D	DXF	 download
CAD data 3D	IGES	 download

Inquiry

Alle Rechte vorbehalten/ All rights reserved

5

4

3

2

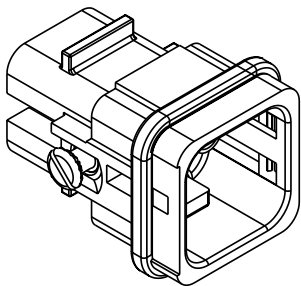
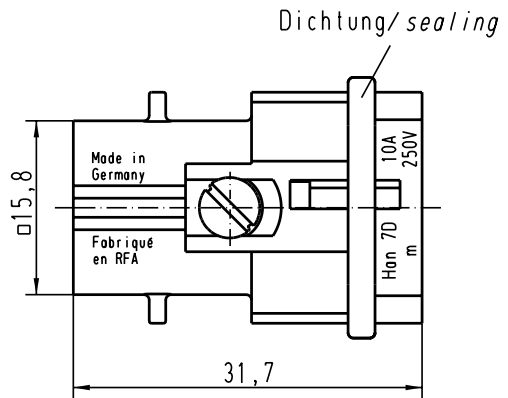
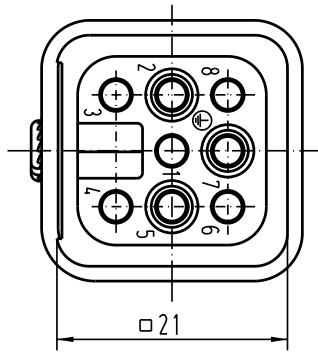
1

D

C

B

A



		All Dimensions in mm Original Size DIN A 4			Techn. Character.			Nicht tolerierte Masse/ free size tolerances		
					Dat. 25.02.93 Insp. HERB Stand.	Name PENNER HERB	Massstab/Scale 2:1	Han 7D-M Stiftträger/ male insert		
410629 Mod.	28.11.03 Dat.	ML Name	HARTING Electric GmbH & Co. KG D-32339 Espelkamp					TB 09 21 007 3031 Sub. TB 09 21 007 3031 v. 14.06.85		Blatt/ page