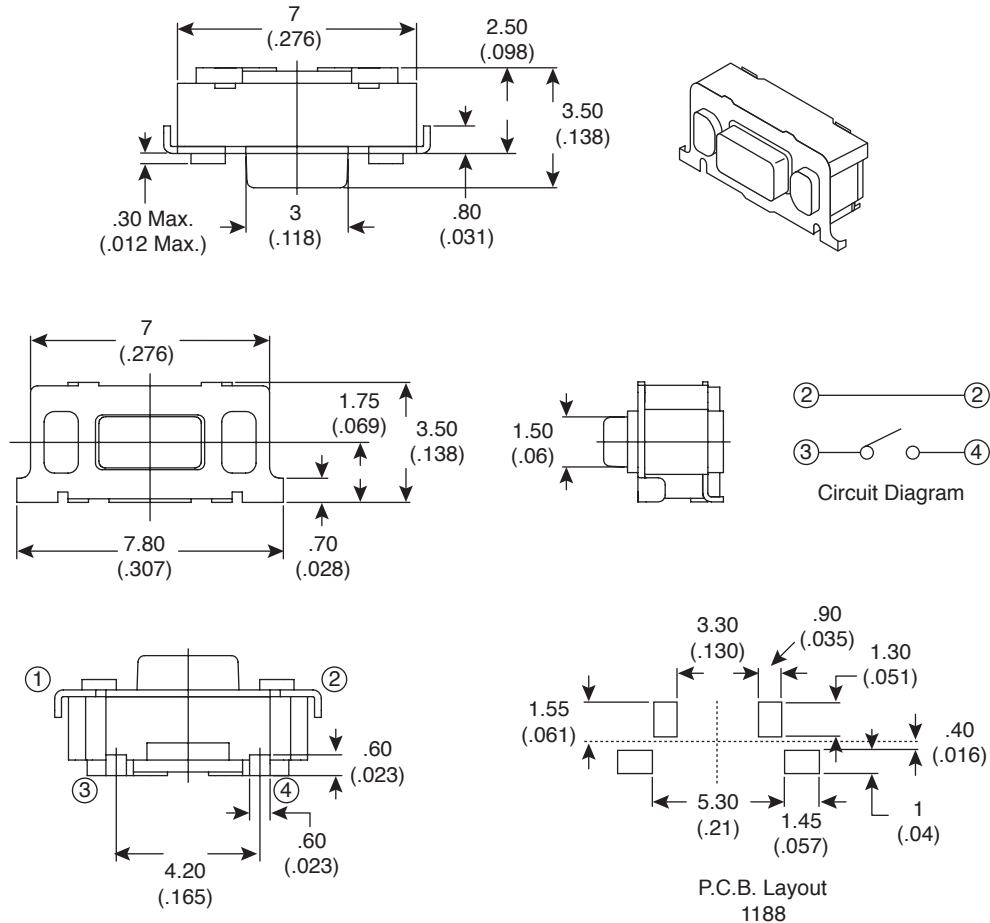


Dimensions: mm (IN)



Specifications:

Mechanical

- Operation force: 160 ± 50gf Black (K) TS3923R1600
160 ± 50gf Black (K) TS3923R2600
- Stroke: 0.25 + 0.10 / -0.1 mm
- Operation temperature: -25°C to +70°C
- Storage temperature: -40°C to +80°C

Electrical

- Electrical life: 50,000 cycles for 160gf
30,000 cycles for 260gf

- Rating: 50mA, 12VDC
- Contact resistance: 100mΩ max.
- Insulation resistance: 100MΩ min. at 500VDC
- Dielectric strength: 250VAC/ minute
- Contact arrangement: SPST
- General tolerance: ±0.2mm (±0.008")

Materials:

- Cover: steel, tin plated
- Base: UL94V-0 nylon thermoplastic
Color: white
- STEM: UL94V-0 nylon thermoplastic
Color: black (160gf), white (260gf)
- Contact disc: stainless with silver cladding
- Terminal: brass with silver plating

Tactile Switch
TS3923R1600, TS3923R2600

