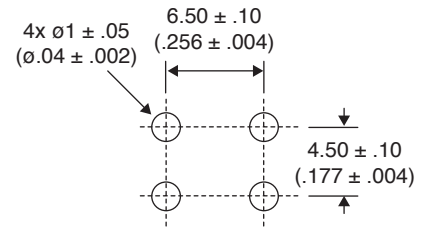
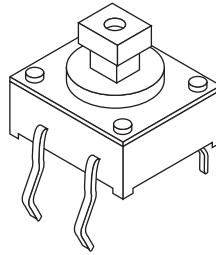
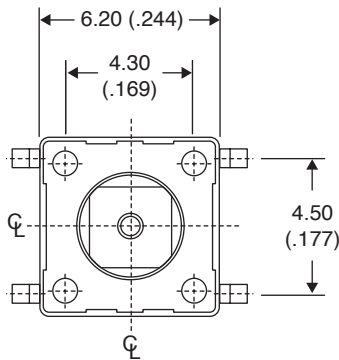
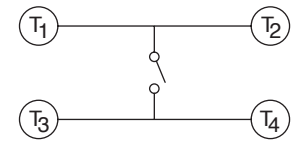
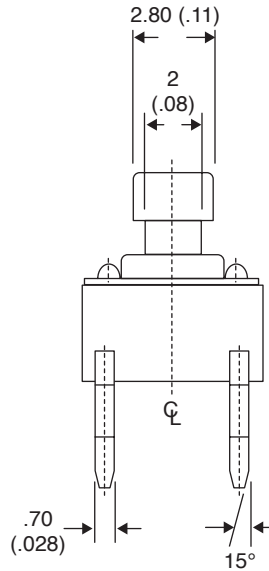
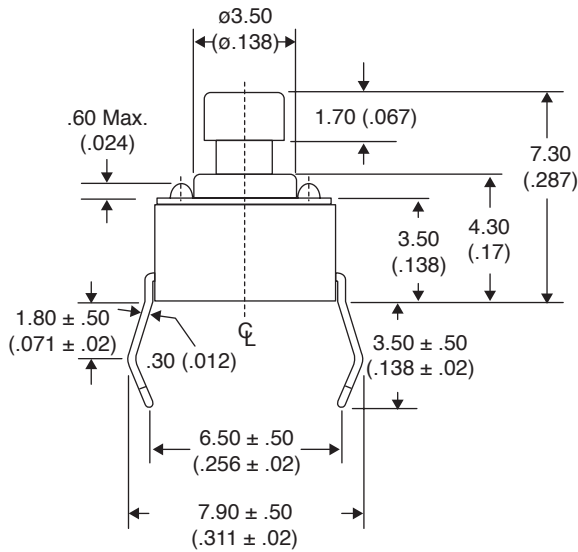


Dimensions: mm (In.)



P.C.B. LAYOUT



CIRCUIT DIAGRAM

Mechanical Specifications:

- Operating Life: 300,000 cycles min.
- Operating Temperature: -25°C to +70°C

Electrical Specifications:

- Rating: 50mA / 12VDC
- Contact Resistance: 100mΩ max.
- Insulation Resistance: 100MΩ min.
- Dielectric Strength: 250VAC for 1 minute

Soldering Process:

- Temperature: 260 ± 5°C 5 ± 1 sec.

Tactile Switch
TS6111T1605BC



Available from Mouser Electronics

www.mouser.com

1-800-346-6873