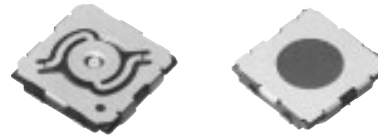


### 6 mm Square Thin Type Double-action SMD Light Touch Switches

Type: **EVQPR/EVQQ0/EVQ3PR**



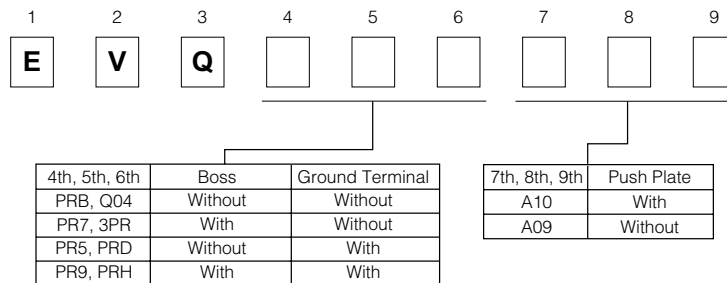
#### ■ Features

- External dimensions : 6.0 mm×6.0 mm,  
Height : 0.9 mm (Without push plate)  
0.95 mm (With push plate)
- Wide selection of double action operating variations  
With push plate : 1st 0.7 N, 2nd 2.6 N  
Without push plate : 1st 1.0 N, 2nd 2.6 N
- Wide selection of double action operating variations

#### ■ Recommended Applications

- Camera function  
(Digital still cameras, Camcorders, Mobile phones, etc.)
- Operating switches for menu scrolling and confirmation for portable equipment.

#### ■ Explanation of Part Numbers



#### ■ Specifications

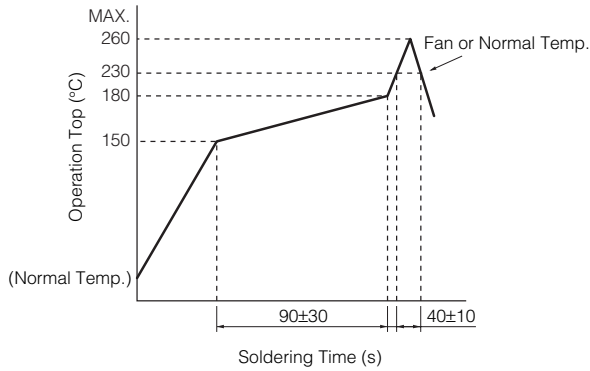
|                               |                                 |  |                    |
|-------------------------------|---------------------------------|--|--------------------|
| Type                          |                                 | Snap action/Push-on type SPDT                        |                    |
| Push Plate type               |                                 | With Push Plate                                      | Without Push Plate |
| Electrical                    | Rating                          | 10 $\mu$ A 2 Vdc to 20 mA 15 Vdc (Resistive load)    |                    |
|                               | Contact Resistance              | 100 m $\Omega$ max.                                  |                    |
|                               | Insulation Resistance           | 50 M $\Omega$ min.                                   |                    |
|                               | Dielectric Withstanding Voltage | 100 Vac for 1 minute                                 |                    |
|                               | Bouncing                        | 3 ms max. (ON)<br>20 ms max. (OFF)                   |                    |
| Mechanical                    | Operating Force                 | 1st : 0.7 N  | 1st : 1.0 N        |
|                               |                                 | 2nd : 2.6 N  | 2nd : 2.6 N        |
|                               | Travel                          | 1st: 0.4 mm  | 2nd: 0.6 mm        |
| Endurance                     | Operating Life                  | 30000 cycles min.                                    |                    |
| Operating Temperature         |                                 | -20 °C to +70 °C                                     |                    |
| Storage Temperature           |                                 | -40 °C to +85 °C (Bulk)<br>-20 °C to +60 °C (Taping) |                    |
| Minimum Quantity/Packing Unit |                                 | 5000 pcs. Embossed Taping (Reel Pack)                |                    |
| Quantity/Carton               |                                 | 25000 pcs.   |                    |

Design and specifications are each subject to change without notice. Ask factory for the current technical specifications before purchase and/or use.  
Should a safety concern arise regarding this product, please be sure to contact us immediately.

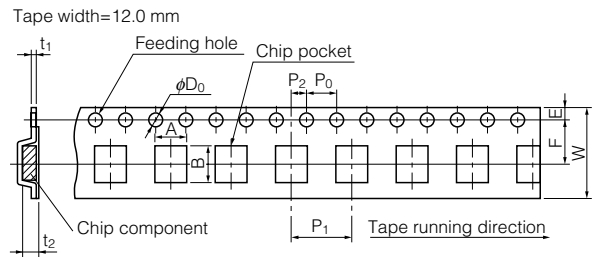
Mar. 2008



### Recommended Reflow Soldering Conditions



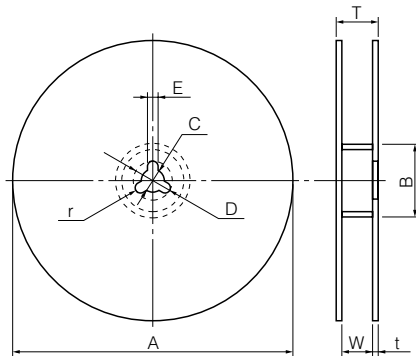
### Embossed Carrier Taping



Unit: mm

| Part No.     | Height    | A       | B       | W        | F         | E         | P <sub>1</sub> | P <sub>2</sub> | P <sub>0</sub> | D <sub>0</sub> Dia.                 | t <sub>1</sub> | t <sub>2</sub>                      |
|--------------|-----------|---------|---------|----------|-----------|-----------|----------------|----------------|----------------|-------------------------------------|----------------|-------------------------------------|
| EVQPR/Q0/3PR | 0.9, 0.95 | 6.3±0.3 | 6.3±0.3 | 12.0±0.3 | 5.50±0.15 | 1.75±0.15 | 8.00±0.15      | 2.00±0.15      | 4.00±0.15      | 1.5 <sup>+0.1</sup> <sub>-0.1</sub> | 0.30±0.05      | 1.7 <sup>+0.2</sup> <sub>-0.1</sub> |

### Standard Reel Dimensions in mm (not to scale)

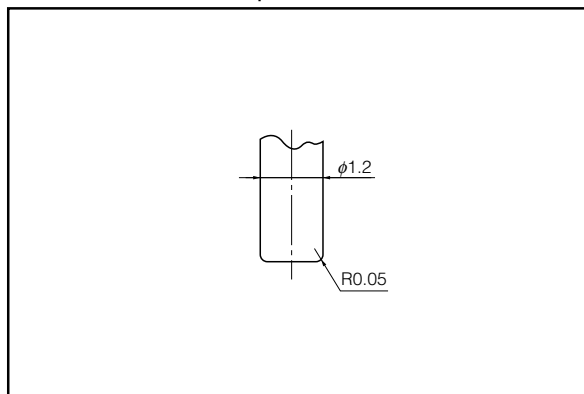


| Item      | A          | B         | C         | D         | E       |
|-----------|------------|-----------|-----------|-----------|---------|
| Rate (mm) | φ380.0±2.0 | φ80.0±1.0 | φ13.0±0.2 | φ21.0±0.8 | 2.0±0.5 |

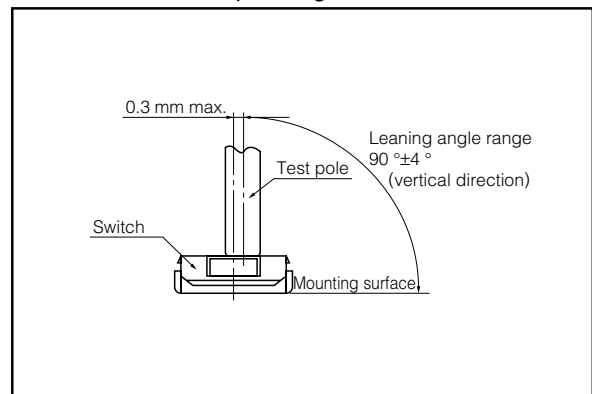
  

| Item      | W        | T        | t          | r       |
|-----------|----------|----------|------------|---------|
| Rate (mm) | 13.5±1.0 | 17.5±1.0 | 1.0 to 3.0 | 1.0±0.5 |

### Recommended Shape of Test Pole



### Recommended Operating Conditions



Design and specifications are each subject to change without notice. Ask factory for the current technical specifications before purchase and/or use. Should a safety concern arise regarding this product, please be sure to contact us immediately.

Mar. 2008