

Double-action Light Touch Switches

Japan

Type: **EVQPW**

■ Features

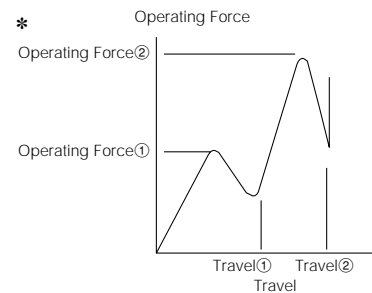
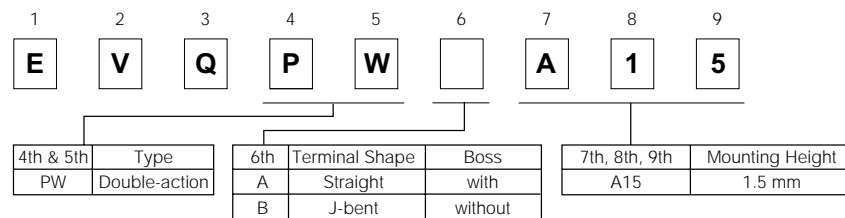
- Compact and super thin profile:
6.2 mm × 6.25 mm × 1.5 mm (H)
- Clear click operational feel in both the 1st push and 2nd push
- Dustproof, SMD application
- Positioning boss type available for manual soldering



■ Recommended Applications

- Shutter switches for still cameras
- Scroll and search switches for cellular telephones or camcorders
- Keyless entry systems

■ Explanation of Part Numbers



■ Product Chart

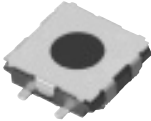
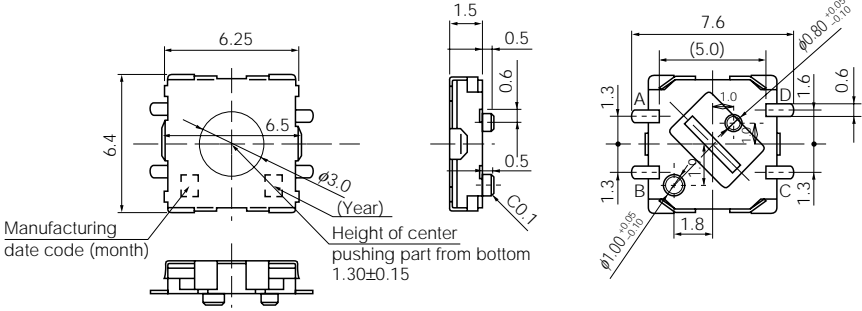
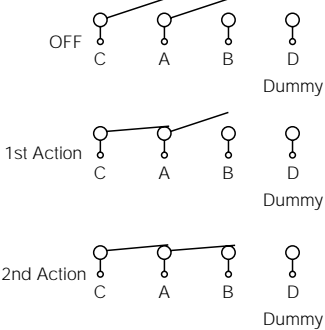
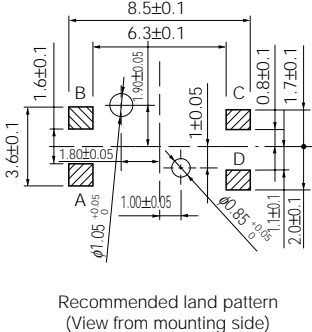
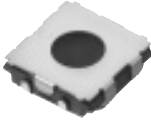
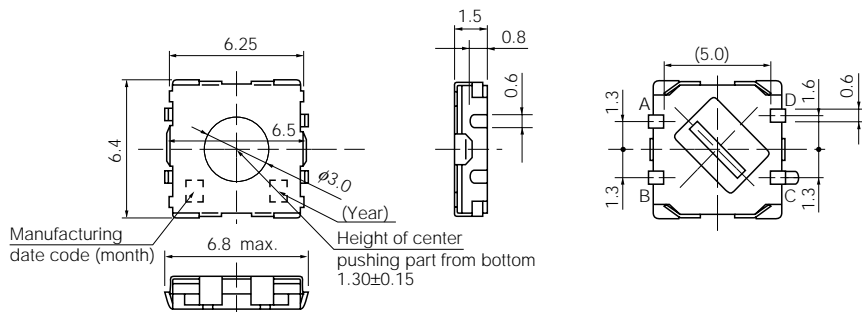
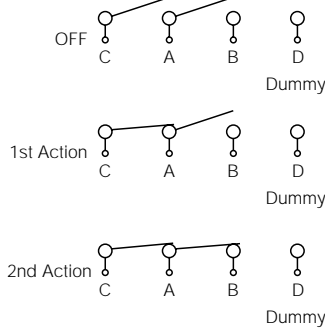
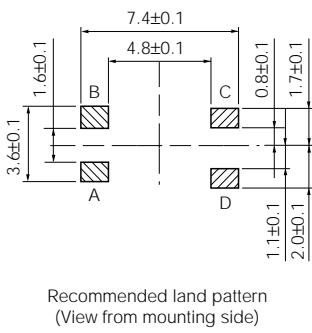
Part No.	Terminal Shape	Positioning Boss	Package Style
EVQPWA	Straight	with	Bulk
EVQPWB	J-bent	without	Embossed taping

■ Specifications

Type	Snap action/Push-on type SPDT	
Electrical	Circuit Diagram	
	Rating	20 mA 15 Vdc max. (Resistive load)
	Contact Resistance	100 mΩ max.
	Insulation Resistance	50 MΩ min. (at 100 Vdc)
	Dielectric Withstanding Voltage	100 Vac for 1 minute
Mechanical	Bouncing	20 ms max. (ON, OFF)
	Operating Force ①*	1.0 N±0.5 N
	Operating Force ②*	2.6 N ^{+0.7} / _{-0.5} N
	Travel ①*	0.5 mm ^{+0.1} / _{-0.2} mm
Endurance	Travel ②*	0.7 mm ^{+0.1} / _{-0.2} mm
	Operating Life	30000 cycles min.
	Operating Temperature	-20 °C to +70 °C (45 % to 85 % RH)
Minimum Quantity/ Packing Unit	Storage Temperature	-40 °C to +85 °C (Bulk) -20 °C to +60 °C (Taping)
	EVQPWA	1000 pcs. Polyethylene Bag (Bulk)
Quantity/Carlton	EVQPWB	5000 pcs. Embossed Taping (Reel Pack)
	EVQPWA	10000 pcs.
	EVQPWB	25000 pcs.

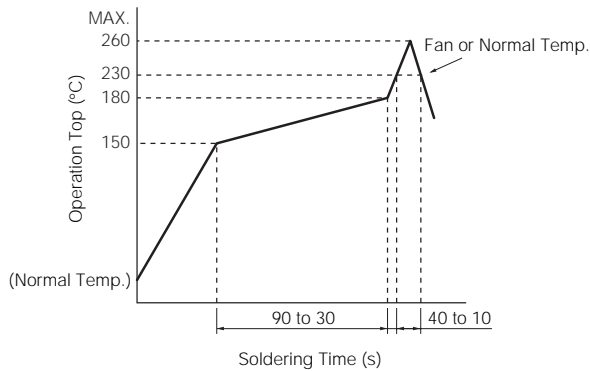
Design and specifications are each subject to change without notice. Ask factory for the current technical specifications before purchase and/or use. Should a safety concern arise regarding this product, please be sure to contact us immediately.

■ Dimensions in mm (not to scale)

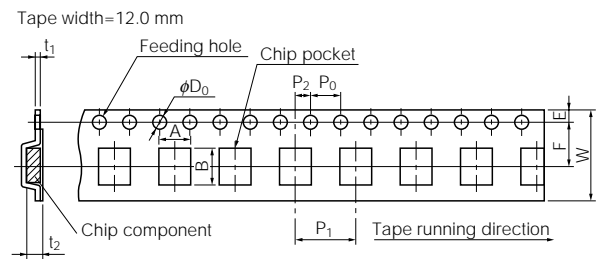
<p>No. 1</p> <p>EVQPWA</p> <p>(Bulk)</p> <p>Straight terminals</p> 	   <p>Part Numbers</p> <p>Operating Force</p> <p>Height</p> <p>Operating Life</p>		
<p>EVQPWAA15</p>	<p>1 st Action/1.0 N</p> <p>2 nd Action/2.6 N</p>	<p>1.5 mm</p>	<p>30000 cycles</p>
<p>No. 2</p> <p>EVQPWB</p> <p>(Embossed Taping)</p> <p>J-bent terminals</p> 	   <p>Part Numbers</p> <p>Operating Force</p> <p>Height</p> <p>Operating Life</p>		
<p>EVQPWBA15</p>	<p>1 st Action/1.0 N</p> <p>2 nd Action/2.6 N</p>	<p>1.5 mm</p>	<p>30000 cycles</p>

Design and specifications are each subject to change without notice. Ask factory for the current technical specifications before purchase and/or use. Should a safety concern arise regarding this product, please be sure to contact us immediately.

Recommended Reflow Soldering Conditions



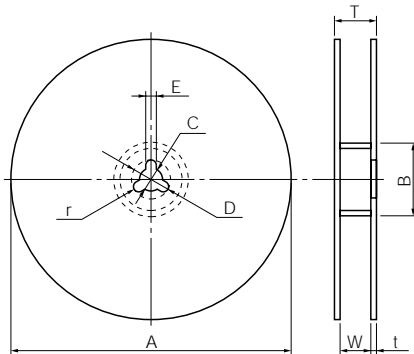
Embossed Carrier Taping



Unit: mm

Part No.	Height	A	B	W	F	E	P_1	P_2	P_0	D_0 Dia.	t_1	t_2
EVQPW	1.5	6.4 ± 0.3	6.5 ± 0.3	12.0 ± 0.3	5.50 ± 0.15	1.75 ± 0.15	8.00 ± 0.15	2.00 ± 0.15	4.00 ± 0.15	$1.5^{+0.1}$	0.30 ± 0.05	$1.60^{+0.05}$

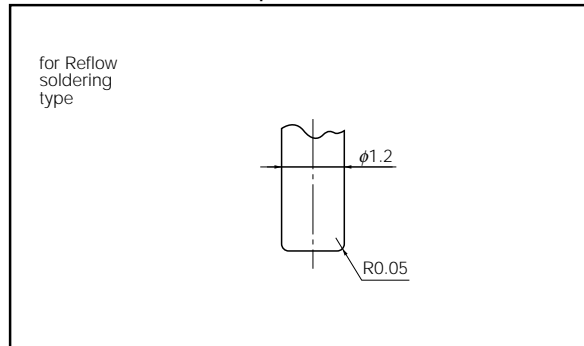
Standard Reel Dimensions in mm (not to scale)



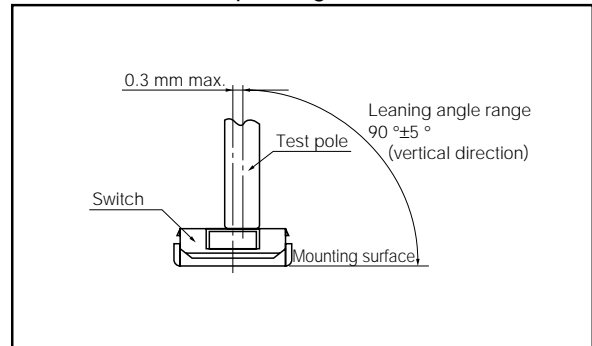
Item	A	B	C	D	E
Rate (mm)	$\phi 370.0 \pm 2.0$	$\phi 50.0$ min.	$\phi 13.0 \pm 0.5$	$\phi 21.0 \pm 1.0$	2.0 ± 0.5

Item	W	T	t	r
Rate (mm)	14.0 ± 1.5	—	1.0 to 3.0	1.0 ± 0.5

Recommended Shape of Test Pole



Recommended Operating Conditions



Design and specifications are each subject to change without notice. Ask factory for the current technical specifications before purchase and/or use. Should a safety concern arise regarding this product, please be sure to contact us immediately.

Oct. 2005