

### 6.0 mm×3.5 mm 2R Light Touch Switches

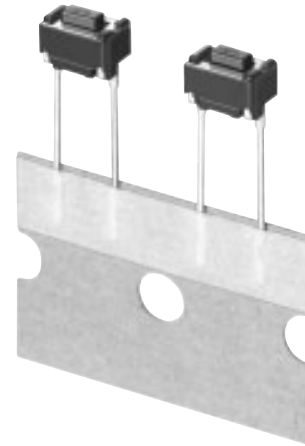
Type: **EVQPJ**

#### ■ Features

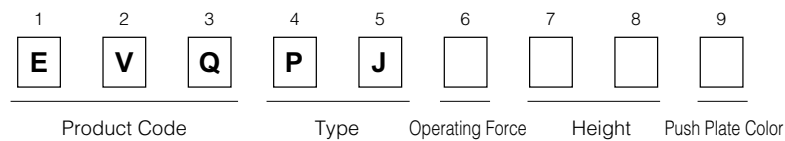
- External dimensions : 6.0 mm×3.5 mm, Height 4.3 mm, 5.0 mm
- Wave soldering available

#### ■ Recommended Applications

- Operating switches for other electronic equipment



#### ■ Explanation of Part Numbers



#### ■ Product Chart

Operating Force	Type	Radial Taping	Height
1.0 N±0.5 N		EVQPJG	H=4.3 mm H=5.0 mm
1.6 N±0.5 N		EVQPJH	
2.4 N±0.6 N		EVQPJJ	

#### ■ Specifications

Type	Snap action/Push-on type SPST	
Electrical	Circuit Diagram	
	Rating	10 μA 2 Vdc to 50 mA 12 Vdc (Resistive load)
	Contact Resistance	100 mΩ max.
	Insulation Resistance	100 MΩ min. (at 100 Vdc)
	Dielectric Withstanding Voltage	250 Vac for 1 minute
	Bouncing	10 ms max. (ON, OFF)
Mechanical	Operating Force	1.0 N±0.5N (Low force type) 1.6 N±0.5 N (Standard) 2.4 N±0.6 N
	Travel	0.25 mm <sup>+0.20</sup> / <sub>-0.10</sub> mm
Endurance	Operating Life	50000 cycles min.      30000 cycles min.
Operating Temperature		-30 °C to +85 °C
Storage Temperature		-40 °C to +85 °C (Bulk) -20 °C to +40 °C (Taping)
Minimum Quantity/Packing Unit		2000 pcs. Radial Taping (Reel Pack)
Quantity/Carton		20000 pcs.

Design and specifications are each subject to change without notice. Ask factory for the current technical specifications before purchase and/or use. Should a safety concern arise regarding this product, please be sure to contact us immediately.

00 Sep. 2010

■ Dimensions in mm (not to scale)

