

MICRO SWITCH

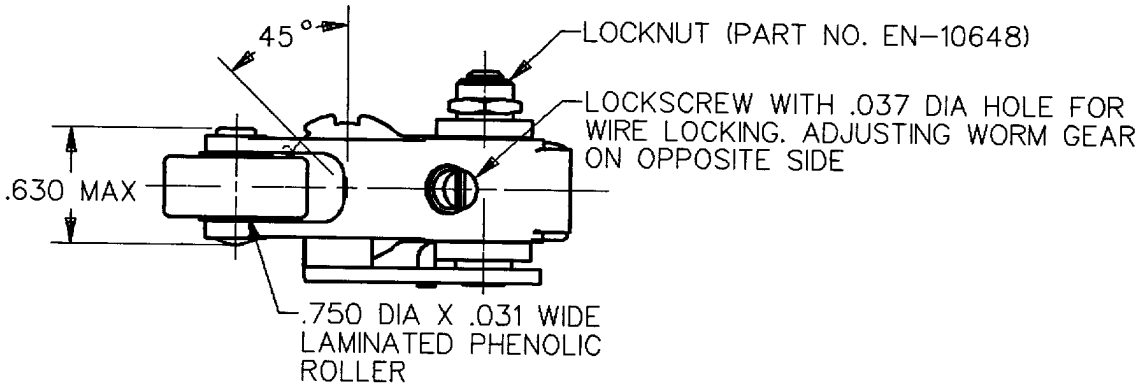
a Honeywell Division

FED.MFG.CODE 91929

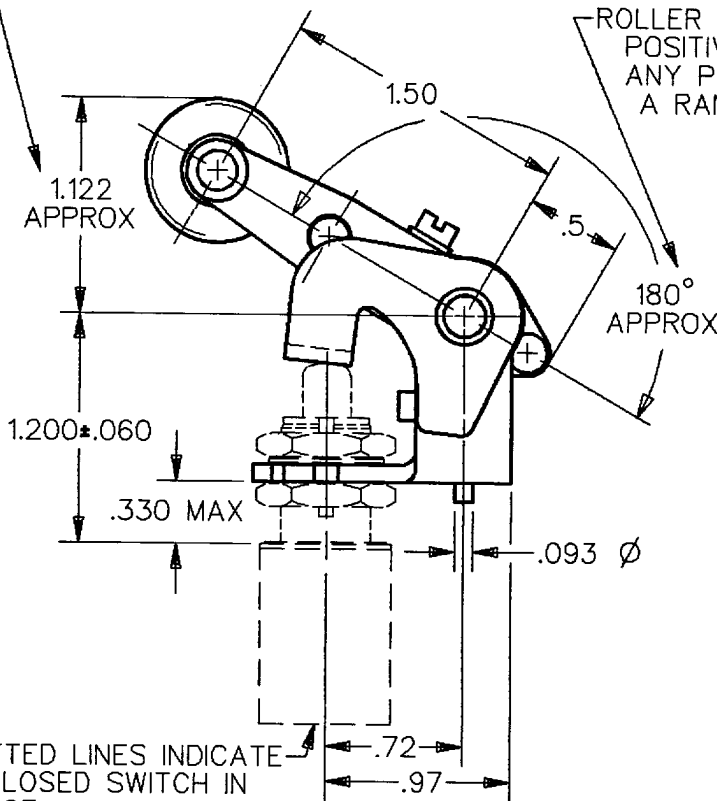
PACKET

CATALOG LISTING
6PA202-EN

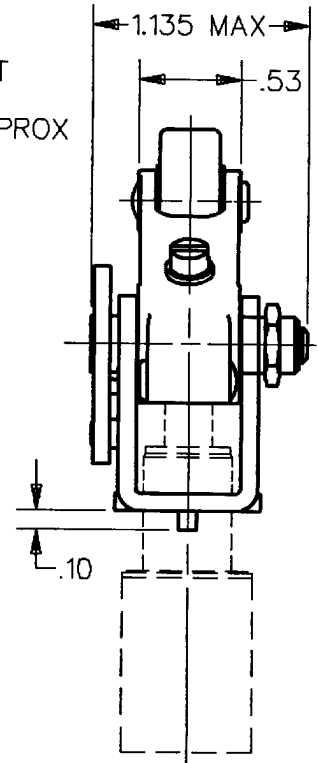
FOR USE ON 602EN1-6



ROLLER LEVER IS SHOWN IN ITS FREE POSITION AT ONE EXTREME OF ITS ADJUSTABLE RANGE

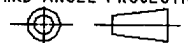


ROLLER LEVER MAY BE POSITIVELY LOCKED AT ANY POSITION WITHIN A RANGE OF 180° APPROX



THIS DRAWING COVERS A PROPRIETARY ITEM AND IS THE PROPERTY OF MICRO SWITCH, A DIVISION OF HONEYWELL. THIS DRAWING IS NOT TO BE COPIED OR USED WITHOUT THE APPROVAL OF MICRO SWITCH.

THIRD ANGLE PROJECTION



CHARACTERISTICS	ELECTRICAL DATA CONTACT ARRANGEMENT	SCALE FULL	DO NOT SCALE PRINT
		UNLESS OTHERWISE SPECIFIED TOLERANCES ARE	
OPERATING FORCE — — — 3 - 6 LBS		TWO PLACE (.00)	±.015
FULL OVERTRAVEL FORCE --- 15 LBS MAX		THREE PLACE (.000)	±.005
RELEASE FORCE — — — 2 LBS MIN		ANGLES	± 5°
PRETRAVEL — — — .080 MAX		WEIGHT	2.3 OZ MAX
DIFFERENTIAL TRAVEL — — .040 MAX			
OVERTRAVEL — — — .500 MIN			

M 6PA202-EN
 DRAWING NUMBER
 ISSUE 2
 CHECK
 REVISIONS
 PR A 16545-T
 D J S
 27 JUL 88
 CHECK M A M 28 JUL 88
 CHECK M A M 28 JUL 88
 D J S 27 JUL 88
 DDM/CAD DRAWN