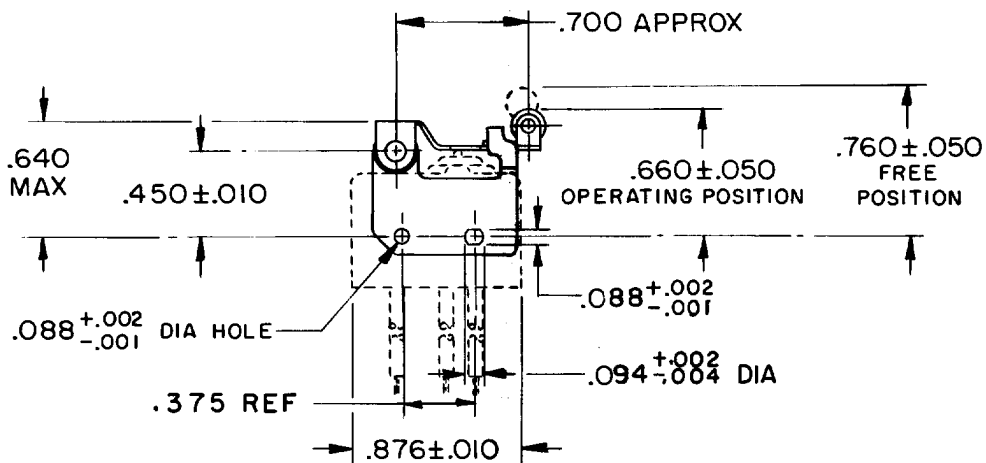
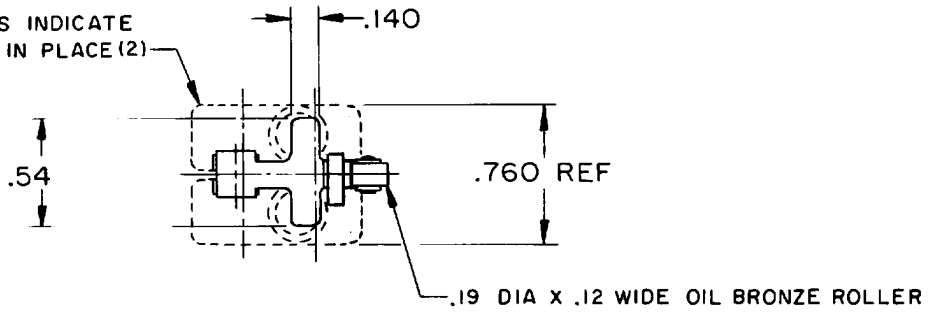


H MICRO SWITCH
 FREEPORT, ILLINOIS, U.S.A.
 A DIVISION OF HONEYWELL
 FED. MFG. CODE 91929

ACTUATOR - SWITCH

DOTTED LINES INDICATE
 BASIC SWITCH IN PLACE (2)



NOTE -
 1 - SWITCHES DO NOT NECESSARILY OPERATE SIMULTANEOUSLY
 2 - MICRO SWITCH CATALOG LISTING JE-22 STAMPED ON MOUNTING BRACKET

THIS DRAWING COVERS A PROPRIETARY ITEM AND IS THE PROPERTY OF MICRO SWITCH, A DIVISION OF MINNEAPOLIS-HONEYWELL REGULATOR CO. THIS DRAWING IS NOT TO BE COPIED OR USED WITHOUT THE APPROVAL OF MICRO SWITCH.

CHARACTERISTICS WITH ISEI BASIC SWITCH INSTALLED

OPERATING FORCE-----17 OZ MAX
 RELEASE FORCE-----4 OZ MIN
 DIFFERENTIAL TRAVEL-----.012 MAX
 OVERTRAVEL-----.006 MIN

ELECTRICAL DATA

CONTACT ARRANGEMENT

SCALE FULL

DO NOT SCALE PRINT

UNLESS OTHERWISE NOTED
 DIMENSIONS ARE IN INCHES
TOLERANCES ARE:
 ONE PLACE (.0) ±.030
 TWO PLACE (.00) ±.015
 THREE PLACE (.000) ±.005
 ANGLES ±

WEIGHT

JE-22
 M
 DRAWING NUMBER
 36
 ISSUE
 REVISIONS
 A CORR 26 NOV 63
 B SR11376 27 NOV 63
 M B F 11 DEC 63
 CHECK MRD 27 NOV 63
 CHECK L.S.D 27 NOV 63
 CHECK 26 NOV 63
 DRAWN O M W