



# Ordering Information

## List of Models

**Note:** For details on normal stock models, contact your nearest OMRON representative.

Configura- tion	Power ratings	Input voltage	Output voltage	Output current	Bottom mounting			DIN Rail mounting bracket				
					Standard model	Undervoltage alarm model		Standard model	Undervoltage alarm model			
						Sinking	Sourcing		Sinking	Sourcing		
Open-frame type	15 W	100 to 240 VAC	5 V	3 A	S8VM-01505	---	---	S8VM-01505D	---	---		
			12 V	1.3 A	S8VM-01512	---	---	S8VM-01512D	---	---		
			15 V	1 A	S8VM-01515	---	---	S8VM-01515D	---	---		
			24 V	0.65 A	S8VM-01524	---	---	S8VM-01524D	---	---		
	30 W		5 V	6 A	S8VM-03005	---	---	S8VM-03005D	---	---		
			12 V	2.5 A	S8VM-03012	---	---	S8VM-03012D	---	---		
			15 V	2 A	S8VM-03015	---	---	S8VM-03015D	---	---		
			24 V	1.3 A	S8VM-03024	---	---	S8VM-03024D	---	---		
	50 W		5 V	10 A	S8VM-05005	---	---	S8VM-05005D	---	---		
			12 V	4.3 A	S8VM-05012	---	---	S8VM-05012D	---	---		
			15 V	3.5 A	S8VM-05015	---	---	S8VM-05015D	---	---		
			24 V	2.2 A	S8VM-05024	---	---	S8VM-05024D	---	---		
	100 W		5 V	20 A	S8VM-10005	---	---	S8VM-10005D	---	---		
			12 V	8.5 A	S8VM-10012	---	---	S8VM-10012D	---	---		
			15 V	7 A	S8VM-10015	---	---	S8VM-10015D	---	---		
			24 V	4.5 A	S8VM-10024	---	---	S8VM-10024D	---	---		
	150 W		5 V	27 A	S8VM-15005 (See note 2.)	---	---	S8VM-15005D (See note 2.)	---	---		
			12 V	12.5 A	S8VM-15012	---	---	S8VM-15012D	---	---		
			15 V	10 A	S8VM-15015	---	---	S8VM-15015D	---	---		
			24 V	6.5 A	S8VM-15024	---	---	S8VM-15024D	---	---		
	Covered type		15 W	100 to 240 VAC	5 V	3 A	S8VM-01505C	---	---	S8VM-01505CD	---	---
					12 V	1.3 A	S8VM-01512C	---	---	S8VM-01512CD	---	---
					15 V	1 A	S8VM-01515C	---	---	S8VM-01515CD	---	---
					24 V	0.65 A	S8VM-01524C	S8VM-01524A (See note 1.)	---	S8VM-01524CD	S8VM-01524AD (See note 1.)	---
30 W		5 V	6 A		S8VM-03005C	---	---	S8VM-03005CD	---	---		
		12 V	2.5 A		S8VM-03012C	---	---	S8VM-03012CD	---	---		
		15 V	2 A		S8VM-03015C	---	---	S8VM-03015CD	---	---		
		24 V	1.3 A		S8VM-03024C	S8VM-03024A (See note 1.)	---	S8VM-03024CD	S8VM-03024AD (See note 1.)	---		
50 W		5 V	10 A		S8VM-05005C	---	---	S8VM-05005CD	---	---		
		12 V	4.3 A		S8VM-05012C	---	---	S8VM-05012CD	---	---		
		15 V	3.5 A		S8VM-05015C	---	---	S8VM-05015CD	---	---		
		24 V	2.2 A		S8VM-05024C	S8VM-05024A	S8VM-05024P	S8VM-05024CD	S8VM-05024AD	S8VM-05024PD		
100 W		5 V	20 A		S8VM-10005C	---	---	S8VM-10005CD	---	---		
		12 V	8.5 A		S8VM-10012C	---	---	S8VM-10012CD	---	---		
		15 V	7 A		S8VM-10015C	---	---	S8VM-10015CD	---	---		
		24 V	4.5 A		S8VM-10024C	S8VM-10024A	S8VM-10024P	S8VM-10024CD	S8VM-10024AD	S8VM-10024PD		
150 W		5 V	27 A		S8VM-15005C (See note 2.)	---	---	S8VM-15005CD (See note 2.)	---	---		
		12 V	12.5 A		S8VM-15012C	---	---	S8VM-15012CD	---	---		
		15 V	10 A		S8VM-15015C	---	---	S8VM-15015CD	---	---		
		24 V	6.5 A		S8VM-15024C	S8VM-15024A	S8VM-15024P	S8VM-15024CD	S8VM-15024AD	S8VM-15024PD		
300 W (See note 4.)		5 V	60 A		S8VM-30005C	---	---	---	---	---		
		12 V	27 A		S8VM-30012C	---	---	---	---	---		
		15 V	22 A		S8VM-30015C	---	---	---	---	---		
		24 V	14 A Peak current: 16.5 A (200 VAC)		S8VM-30024C	---	---	---	---	---		
600 W (See note 4.)		5 V	120 A		S8VM-60005C	---	---	---	---	---		
		12 V	53 A		S8VM-60012C	---	---	---	---	---		
		15 V	43 A		S8VM-60015C	---	---	---	---	---		
		24 V	27 A Peak current: 31 A (200 VAC)		S8VM-60024C	---	---	---	---	---		
1,500 W (See note 4.)		24 V	65 A (100 VAC) 70 A (200 VAC) Peak current: 105 A (200 VAC)		S8VM-15224C (See note 3.)	---	---	---	---	---		

**Note:** 1. No outputs are built into these models.

2. The output capacity of the S8VM-15005□□ is 135 W.

3. M8 bolts and nuts for the output terminals are not included with the S8VM-15224C.

4. The 300-, 600-, and 1,500-W models use a forced cooling method with built-in fans.

5. To perform front mounting using the bottom mounting models, use the Mounting Brackets (S82Y-VM□□F, sold separately).

# Specifications

## ■ Ratings/Characteristics

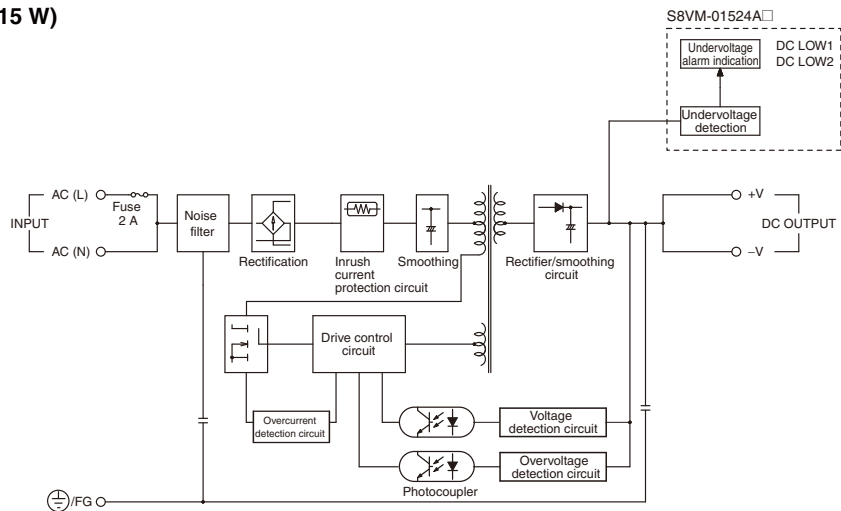
Item		Power rating	15 W	30 W	50 W	100 W	150 W	
Efficiency	5-V models		75% min.	75% min.	80% min.	81% min.	81% min.	
	12-V models		78% min.	79% min.	79% min.	81% min.	81% min.	
	15-V models		78% min.	79% min.	79% min.	81% min.	81% min.	
	24-V models		80% min.	81% min.	80% min.	82% min.	83% min.	
Input	Voltage (See note 1.)		100 to 240 VAC (85 to 264 VAC)					
	Frequency (See note 1.)		50/60 Hz (47 to 63 Hz)					
	Current	100-V input		0.5 A max.	0.9 A max.	0.8 A max.	1.4 A max.	2.0 A max.
		200-V input		0.25 A max.	0.45 A max.	0.4 A max.	0.7 A max.	1.0 A max.
	Power factor	100-V input		---				
		200-V input		---				
	Harmonic current emissions		---				Conforms to EN 61000-3-2	
	Leakage current	100-V input		0.4 mA max. (at rated output)				
		200-V input		0.75 mA max. (at rated output)				
	Inrush current (See note 2.)	100-V input		17.5 A max. (for cold start at 25°C)				
200-V input			35 A max. (for cold start at 25°C)					
Output	Voltage adjustment range (See note 3.)		-20% to 20% (with V. ADJ) (S8VM-□□□24A□/P□: -10% to 20%)					
	Ripple		3.2% (p-p) max. (5 V), 1.5% (p-p) max. (12 V), 1.2% (p-p) max. (15 V), 1.0% (p-p) max. (24 V), (at rated input/output voltage)		3.2% (p-p) max. (5 V), 1.5% (p-p) max. (12 V), 1.2% (p-p) max. (15 V), 0.75% (p-p) max. (24 V), (at rated input/output voltage)			
	Input variation influence		0.4% max. (at 85 to 264 VAC input, 100%)					
	Load variation influence (rated input voltage)		0.8% max. (with rated input, 0 to 100% load)					
	Temperature variation influence		0.02%/°C max.					
	Startup time (See note 2.)		1,100 ms max. (at rated input/output voltage)		800 ms max. (at rated input/output voltage)			
	Hold time (See note 2.)		20 ms typ. (15 ms min.) (at rated input/output voltage)					
	Additional functions	Overload protection (See note 2.)		105% to 160% of rated load current, voltage drop, intermittent, automatic reset		105% to 160% of rated load current, voltage drop (12 V, 15 V, and 24 V), voltage drop, intermittent (5 V), automatic reset		
Overvoltage protection (See note 2.)			Yes (See note 4.)					
Undervoltage alarm indication			Yes (color: Yellow (DC LOW1), red (DC LOW2)) (S8VM-□□□24A□/P□ only)					
Undervoltage alarm output			No		Yes (S8VM-□□□24A□/P□ only) (Transistor output), 30 VDC max., 50 mA max. (See note 8.)			
Series operation			Yes					
Parallel operation			No					
Remote sensing function			No				Yes	
Other	Ambient operating temperature		Refer to the derating curve in <i>Engineering Data (15-W, 30-W, 50-W, 100-W, 150-W Models)</i> . (with no icing or condensation) (See note 2.)					
	Storage temperature		-25 to 65°C					
	Ambient operating humidity		30% to 85% (Storage humidity: 25% to 90%)					
	Dielectric strength		3.0 kVAC for 1 min. (between all inputs and outputs; detection current: 20 mA) 2.0 kVAC for 1 min. (between all inputs and PE/FG terminals; detection current: 20 mA) 500 VAC for 1 min. (between all outputs and PE/FG terminals; detection current: 100 mA) 500 VAC for 1 min. (between all outputs (except the detection output terminals) and detection output terminals; detection current: 20 mA) (S8VM-□□□24A□/P□ only)					
	Insulation resistance		100 MΩ min. (between all outputs and all inputs, PE/FG terminals) at 500 VDC					
	Vibration resistance		10 to 55 Hz, 0.375-mm single amplitude for 2 hours each in X, Y, and Z directions					
	Shock resistance		150 m/s <sup>2</sup> , 3 times each in ±X, ±Y, ±Z directions					
	Output indicator		Yes (color: Green)					
	EMI	Conducted Emission		Conforms to EN61204-3 EN55011 Class B and based on FCC Class B (See note 5.)				
		Radiated Emission		Conforms to EN61204-3 EN55011 Class B (See note 6.)				
	EMS		Conforms to EN61204-3 High severity levels					
	Approved standards	UL cUL cUR EN/TUV		UL508 (Listing), UL60950-1, UL1604 (Listing: Class I/Division 2, Group A, B, C, D Hazardous Locations) CSA C22.2 No. 14, No. 213 (Class I/Division 2, Group A, B, D, D Hazardous Locations) CSA No. 60950-1 EN50178, EN60950-1 SELV (EN60950-1) According to VDE0160/P100				
		SEMI		SEMI F47-0200 (200 VAC input)				
	Weight (See note 7.)			180 g max.	220 g max.	290 g max.	460 g max.	530 g max.

- Note:**
- Do not use an Inverter output for the Power Supply. Inverters with an output frequency of 50/60 Hz are available, but the rise in the internal temperature of the Power Supply may result in ignition or burning.
  - Refer to *Engineering Data (15-W, 30-W, 50-W, 100-W, 150-W Models)* on page 9 to 11 for details.
  - If the output voltage adjuster (V. ADJ) is turned, the voltage will increase by more than +20% of the voltage adjustment range. If the adjuster is turned too far, it may activate the overvoltage protection function and interrupt the output.  
When adjusting the output voltage, confirm the actual output voltage from the Power Supply and be sure that the load is not damaged.
  - To reset the protection, turn OFF the input power for three minutes or longer and then turn it back ON.
  - Conducted emissions: The noise value is affected by factors such as the wiring method. The Power Supply conforms to Class B when the aluminum plate is laid under the Power Supply. For 15-W models, insert a clamp filter (ZCAT2436-1330 by TDK: 50 Ω min. [50 to 500 MHz], or the equivalent) in the output wire to reduce noise.
  - Radiated emissions: The noise value is affected by factors such as the wiring method. The Power Supply conforms to Class B when the aluminum plate is laid under the Power Supply. For 150-W models, insert a clamp filter (ZCAT2017-0930 by TDK: 35 Ω min. [50 to 500 MHz], or the equivalent) in the input wire to reduce noise.
  - The weight indicated is for bottom mounting, open-frame models.
  - A□: Sinking type (NPN)  
P□: Sourcing type (PNP)

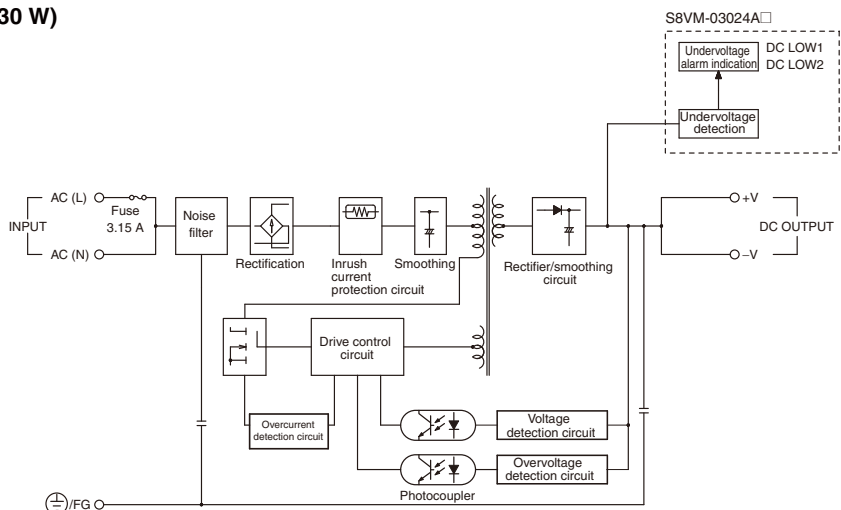
# Connections

## ■ Block Diagrams

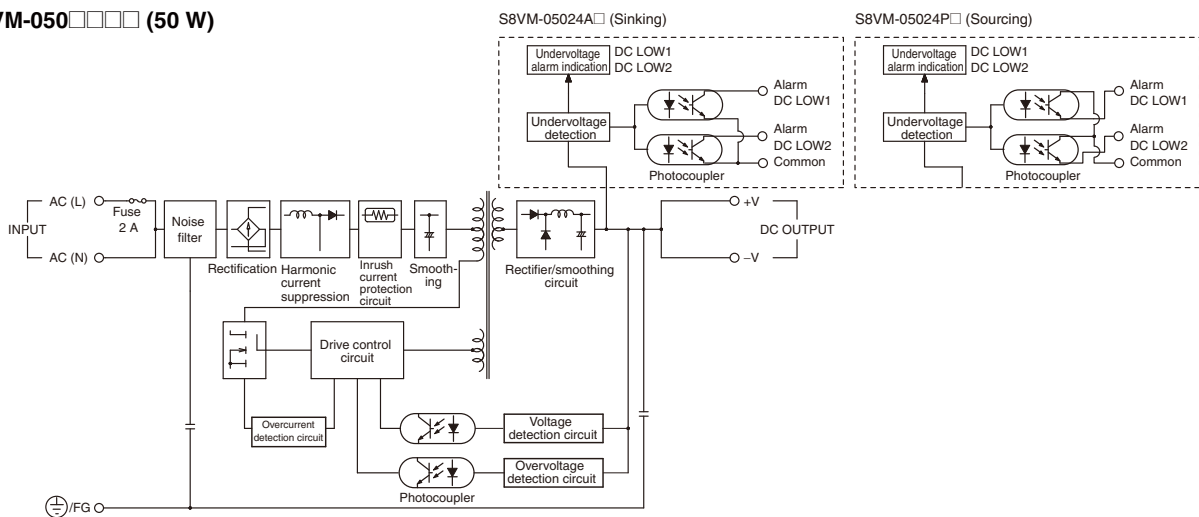
S8VM-015□□□□ (15 W)



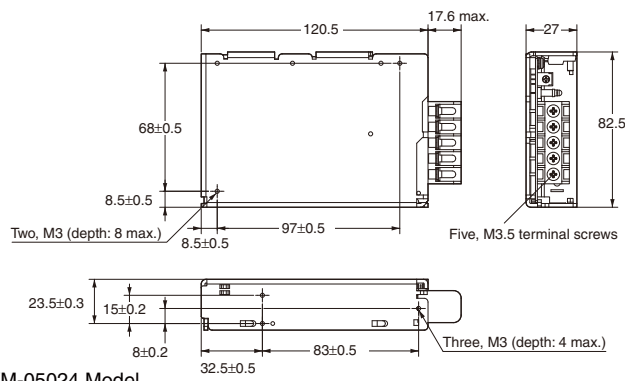
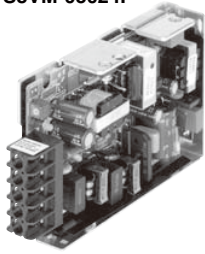
S8VM-030□□□□ (30 W)



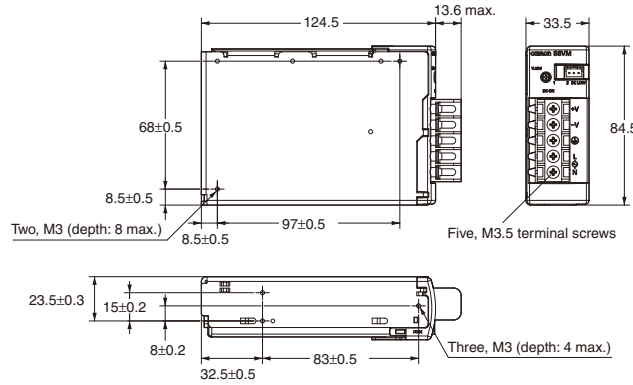
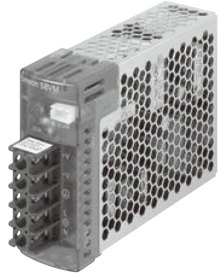
S8VM-050□□□□ (50 W)



S8VM-050□□  
 S8VM-050□□C  
 S8VM-05024A  
 S8VM-05024P



**Note:** The image is the S8VM-05024 Model.

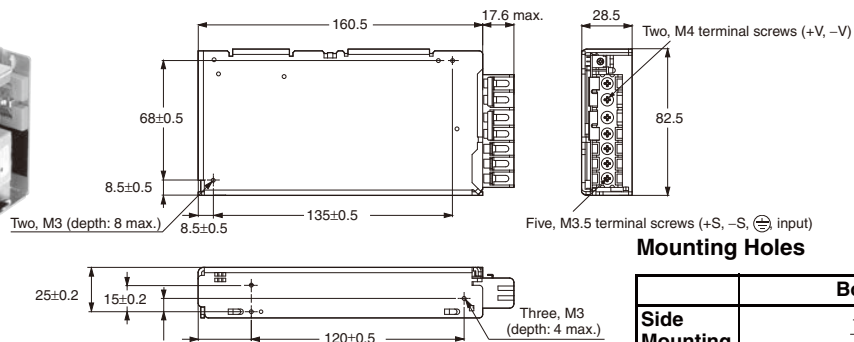
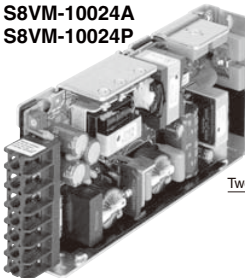


**Note:** The image is the S8VM-05024A Model.

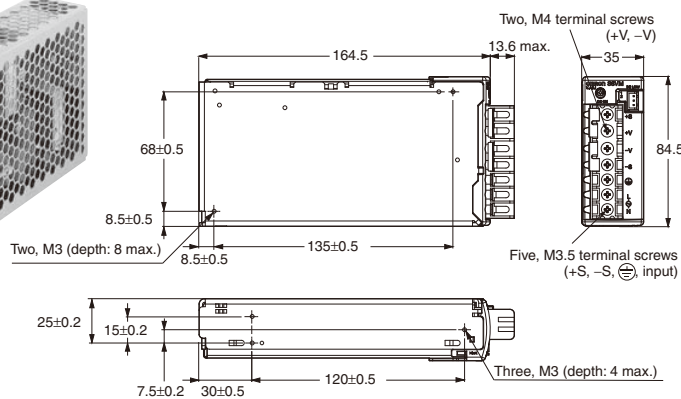
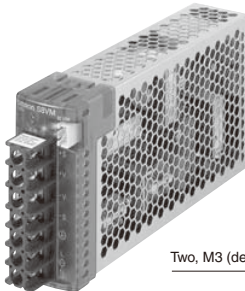
### Mounting Holes

	Bottom View
Side Mounting	Two, 4 dia. 
Bottom Mounting	Three, 4 dia. 

S8VM-100□□  
 S8VM-100□□C  
 S8VM-10024A  
 S8VM-10024P



**Note:** The image is the S8VM-10024 Model.



**Note:** The image is the S8VM-10024A Model.

### Mounting Holes

	Bottom View
Side Mounting	Two, 4 dia. 
Bottom Mounting	Three, 4 dia. 