

[Product Catalog for Electronic Specialty Markets](#) > [3M™ Terminals, Kits & Tools](#) > [Electrical Wire Connectors](#)
 > [Scotchlok™ IDC Connectors for Electrical Applications](#) >

 [Printer-friendly format](#) **3M™ Scotchlok™ Electrical IDC 560-BOX, Double Run or Tap, Flame Retardant**



18 to 16 (0,75-1,5) AWG Solid/Stranded, 14 (1,5) AWG Stranded, Light Blue, 100 per box, 1000 per case

[\[click to enlarge\]](#)

GTIN(UPC/EAN) : 0 00 54007 00839 2
 3M Id : 80-6100-3104-1

Additional Information

Electrically connects a (tap) wire end to a through (run) wire and insulates the connection. Used for tap and parallel splicing. Flame retardant. Maximum insulation O.D.diameter of 0.145 inches (3,68 mm) and a operating temperature of 221°F (105°C). The suggested application tool for this connector is the E-9BM Crimping Tool.

Learn More . . .

- [Packaging Data](#)
- [3M™ Scotchlok™ ID Electrical Tap Connector 560 - Data Sheet \(PDF 244.5 K\)](#)
- [560orderinginfo.pdf - Product Selection Guide \(PDF 9.0 K\)](#)
- [Ordering Information for Scotchlok™ 560 Insulation Displaceme - Product Selection Guide \(HTML 1.5 K\)](#)
- [Parallel Connection Type - Illustration/Line Art \(TIFF 15.2 K\)](#)

Please Note:
 Adobe® Acrobat® Reader is required to view PDF documents.



Characteristics

| | |
|-------------------------------|------------|
| Agency Approvals | UL and CSA |
| Boxes per Case | 10 |
| China RoHS - Below MCV | Yes |
| Color | Light Blue |
| EU RoHS Compliant | Yes |

Solutions for Electronic Specialty Markets (ESM)

Product Catalog for Electronic Specialty Markets

- 3M™ Electronic Specialty Markets - New Product Releases
- 3M™ Abrasives
- 3M™ Adhesives, Cleaners & Compounds
- 3M™ Breadboards & Test Clips
- 3M™ Cable & Assemblies
- 3M™ Copper Interconnects
- 3M™ Fiber Optics
- 3M™ Fire Protection
- 3M™ Heat Shrink
- 3M™ Identification Systems
- 3M™ Occupational Health & Safety Products
- 3M™ Protective Bumpers
- 3M™ Reclosable Fasteners
- 3M™ Splicing, Terminating & Ducting
- 3M™ Static Control
- 3M™ Tapes
- 3M™ Terminals, Kits & Tools
- 3M™ Vacuums & Accessories
- 3M™ Warehousing & Packaging Supplies
- 3M™ Wire Connectors

Other Tools

- What's New
- Sales Contacts
- U.S. Distributors

| | |
|---|----------|
| Maximum Recommended Voltage Rating | 600 Volt |
| Units per Box | 100 |
| Wire Range Capabilities | 18 to 16 |



Scotchlok™

Insulation Displacement Electrical Tap Connector 560



Data Sheet

Application

Use Scotchlok™ Tap Connector 560 to electrically connect a (tap) wire end to a through (run) wire, join parallel run wires, and insulate the connection.

Wire Range

18 -16 AWG (0,75-1,0 mm²) solid or stranded, 14 AWG (1,5 mm²) stranded, tinned or untinned copper conductors. For use with thermoplastic insulated wires such as: T, TW, TFF, TFN, TFFN, AWN, TEW, SAE-GPT, with a maximum insulation diameter of .145 inches (3,5 mm).

Maximum recommended current for general purpose applications: 18 AWG - 7 Amps, 16 AWG - 10 Amps, 14 AWG - 15 Amps

Construction

U-Contact - Tin plated brass, .03 in. thick (0,8 mm)
Insulator - Flame retardant polypropylene
Color - Light blue

Weight

.0032 lb. (1,45 gm)

Recommended Installation Tools

3M™ Crimping Tool No. E-9BM
9" Linemans Pliers

Engineering Specification

Insulation Displacement Connector (as manufactured by 3M, part No. 560) capable of connecting a tap wire to a run wire in the range of 18-16 AWG (0,75-1,0 mm²) solid or stranded, and 14 AWG (1,5 mm²) stranded, tinned or untinned copper conductors. The connector shall be UL Listed and CSA Certified for 600 Volts maximum building wire: 1000 Volts maximum, signs fixtures and luminaires, and have a maximum insulating temperature of 105°C (221°F).

Regulatory Agencies

UL Listed as a Pressure Cable Connector

Tested per UL Standard 486C

UL File No. E23438

Operating Temperature: 105°C (221°F)

Voltage Rating: 600 volts max. building wire;

1000 volts max. signs and fixtures

Flammability Rating: UL94 V-2

CSA Certified-CSA Standard C22.2 No. 0, 188-M1983

CSA File No. LR15503

Operating Temperature: 105°C (221°F)

Voltage Rating: 600 volts max. building wire

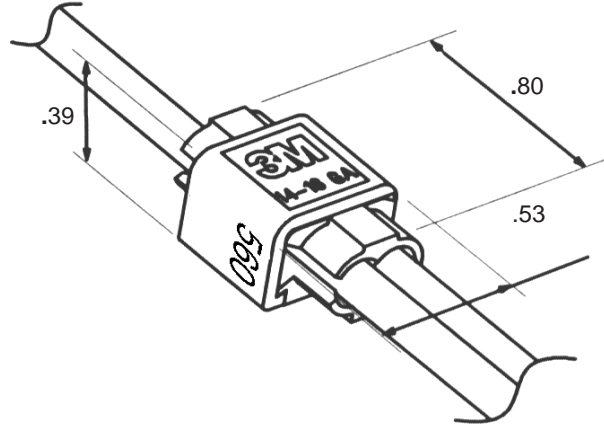
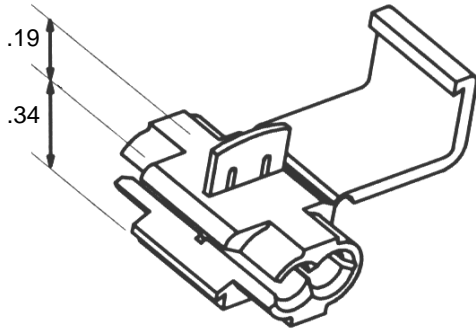
1000 volts max. signs and luminaires.

Flammability Rating: C22.2 No. 0.6 V-2

Federal Specification W-S-610:

“Commercial package only”

| Type | Class | Kind | Style |
|------|-------|------|-------|
| 1 | 1 | cu | G |

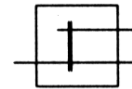


Installation Instructions

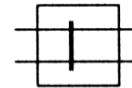
⚠ WARNING

Turn power off before installing or removing terminal. All electrical work should be done according to appropriate electrical codes.

1. Place unstripped run wire inside run channel.
2. Insert unstripped tap wire completely.
3. Hold tool perpendicular to the wire and make the connection by crimping the u-contact down flush with the top of the plastic insulator.
4. Close top hinged cover until latched.



Tap / Run Connection



Parallel Connection

3M and Scotchlok are trademarks of 3M Company.

 is a trademark of Underwriters Laboratories.

 is a trademark of Canadian Standards Association.

IMPORTANT NOTICE

Before using this product, you must evaluate it and determine if it is suitable for your intended application. You assume all risks and liability associated with such use.

Warranty; Limited Remedy; Limited Liability. This product will be free from defects in material and manufacture as of the date of purchase. **3M MAKES NO OTHER WARRANTIES INCLUDING, BUT NOT LIMITED TO, ANY IMPLIED WARRANTY OF MERCHANTABILITY OR FITNESS FOR A PARTICULAR PURPOSE.** If this product is defective within the warranty period stated above, your exclusive remedy shall be, at 3M's option, to replace or repair the 3M product or refund the purchase price of the 3M product. **Except where prohibited by law, 3M will not be liable for any loss or damage arising from this 3M product, whether direct, indirect, special, incidental or consequential regardless of the legal theory asserted.**

3M

Electrical Products Division

6801 River Place Blvd.
Austin, TX 78726-9000
www.3M.com/elpd

Litho in USA
©3M 2003 78-8126-5925-4-A