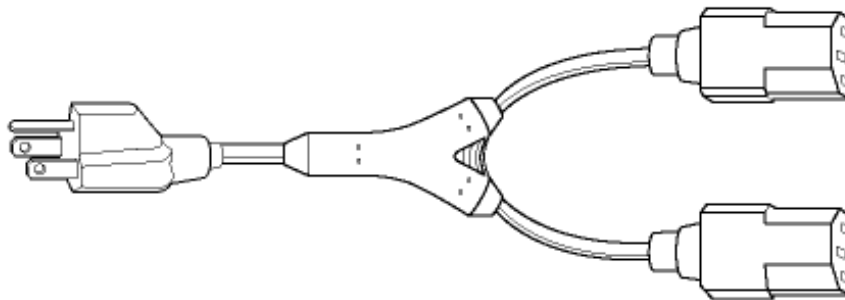


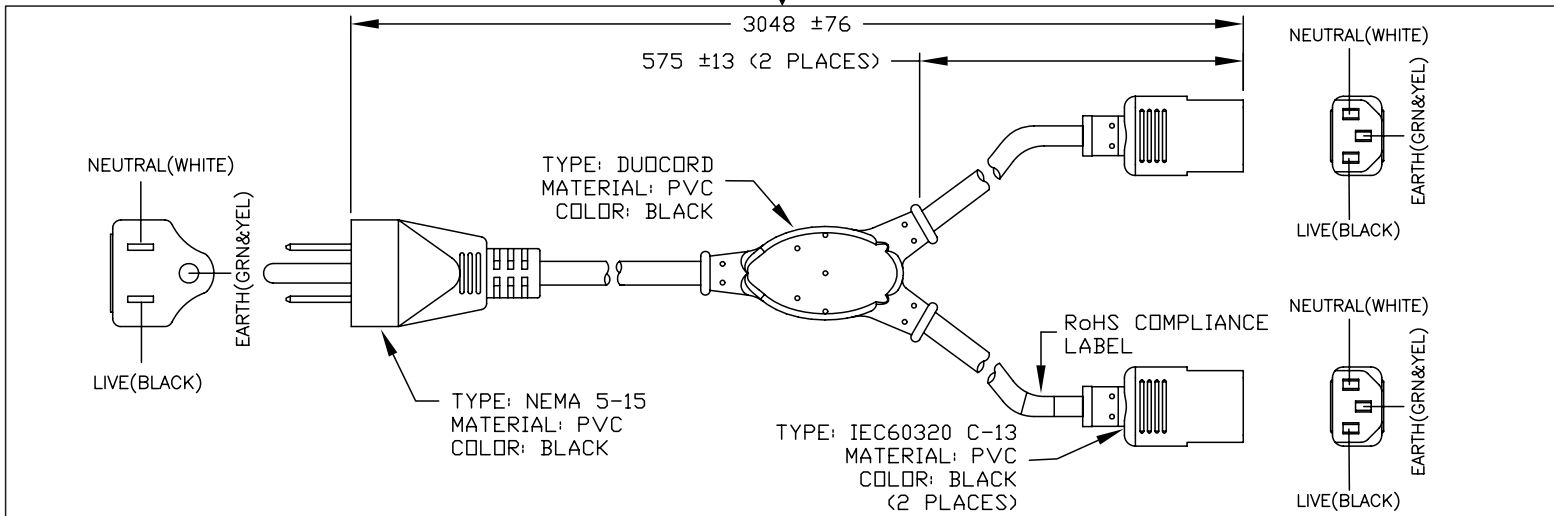
VOLEX

GROUP

## Standard Cord Details: 17275A 10 B1



Specifications	
<b>Certifications</b>	
<b>Part Number</b>	17275A 10 B1
<b>Connector Type</b>	C13
<b>Plug Type</b>	5-15P
<b>Category</b>	Plastic
<b>Application</b>	Y Cord
<b>Plug Catalog No.</b>	
<b>Connector Catalog No.</b>	
<b>Cable</b>	SJT AWG 16x3
<b>Jacket Color</b>	Black
<b>Length in Feet</b>	10':2' legs
<b>Length in Meters</b>	
<b>Temperature Rating</b>	60 C
<b>Packaging Units Per Carton</b>	25
<b>Color Coding</b>	North America
<b>Nominal OD in Inches</b>	0.34
<b>Nominal OD in Millimeters</b>	8



VOLEX RESERVES THE RIGHT TO ALTER NON-CRITICAL DIMENSIONS WITHOUT NOTICE.

PACKAGING: BULK (NO HANK OR COIL)

**NOTES:**

- 1) CORDAGE: 16/3 SJT, 60°C, BLACK, LEAD FREE
- 2) APPROVALS:
- 3) RATING: 13 AMPS/125 VOLTS
- 4) FLAME RATING : FT2
- 5) PACKAGING: 50 PIECES/CARTON
- 6) ALL DIMENSIONS IN MILLIMETERS.

REV	DESCRIPTION	DATE
2	CORRECTED VOLTAGE RATING (NOTE 3)	1/8/08
1	C.U.D - NEW RELEASE	9/5/07

 FORM IN71-07 REV.A	<input checked="" type="checkbox"/> Indianapolis, IN <input type="checkbox"/> Conover, N.C. <input type="checkbox"/> Freemont, CA <input type="checkbox"/> Aguascalientes, MX <input type="checkbox"/> Tijuana, Mexico <input type="checkbox"/> Hermosillo, MX <input type="checkbox"/> Clinton, AR <input type="checkbox"/> Kanata, Canada	<p align="center"><b>Proprietary Notice:</b></p> <p>This document is the property of Volex Incorporated. The information contained herein is not to be disclosed to anyone without the express written consent of Volex Inc.</p>	<p>MATERIAL: PLUG: PVC, BLACK JACKET: PVC, BLK, LEAD FREE</p> <p>FINISH: JACKET: SMOOTH</p>	<p>SCALE: NOT TO SCALE</p> <p>ECD: N/A</p> <p>TOLERANCE UNLESS OTHERWISE SPECIFIED .XXX ± .005 .XX ± .02 .X ± .03 FRACT. ± 1/32 ANGULAR ± 1/2°</p>	<p>ITEM DESCRIPTION CORDSET - NORTH AMERICAN DETACHABLE POWER SUPPLY CORD (10')</p>		
	<p>APPROVED: STC</p> <p>DRAWN BY: STC</p> <p>DATE: 9/5/07</p> <p>PART NO. 17275A 10 B1</p>						