

+85°C Standard Miniature Radial Lead Aluminum Electrolytic Capacitors



Part Number: 106CKR050M

[Detailed Specifications](#)

[General Specifications \(PDF\)](#)

[Special Order Options](#)

[CKR_CKS document \(PDF\)](#)



This part is RoHS compliant

Electrical Specifications

Capacitance:

10 uF

Tolerance:

-20 %, +20 %

Temperature Range:

-40°C to +85°C

Dissipation Factor:

0.1 at 120 Hz

WVDC: 50 volts DC

SVDC: 63 volts DC

ESR:

16.579 Ohms at 120 Hz and 20°C

Ripple Current:

65 mA at 120 Hz and 85°C

Impedance:

Impedance Ratios:

-25°C/20°C - 2

-40°C/20°C - 3

Leakage Current:

.03CV or 4uA, whichever is greater

15.0 uA after 1 Minute

5.0 uA after 2 Minutes

Load Life:

2000 Hours at 85°C with 100% of rated voltage and with 0% of rated ripple current

Frequency Multipliers

50 Hz 120 Hz 400 Hz 1 KHz 10 KHz 100 KHz

0.8 1 1.3 1.45 1.65 1.7

Temperature Multipliers

45°C 60°C 65°C 70°C 75°C 85°C 105°C 125°C

1.25 1.25 1.25 1.14 1.14 1 0 0

Physical Specifications

Diameter (D):

5 mm +0.5 mm

Length (L):

11 mm +1.5 mm

Lead Wire Diameter (d):

0.5 mm +0.05 mm

Lead Spacing:

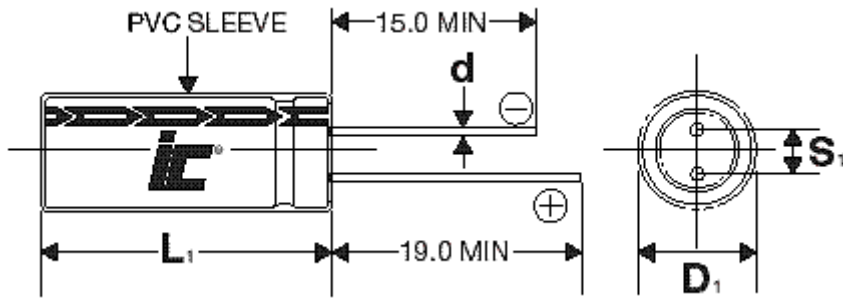
2 mm +/- 0.5 mm

Lead Length:

15 mm

Coating:

BLACK PVC Sleaving



 **Add To Sample Cart**
(You can always remove it later)