

Back

- o Flat Cable Connectors SEK
- o *har-mik*®
- o D-Sub
- o InduCom

➔ Applications

Product details

09 16 042 3001 Male insert, Han 42 DD

Series	Han DD®
Number of contacts	42 poles + PE
Size of hood/ housing	Han® 10 B
Termination	Crimp termination
Insert material	Standard material
Contacts	Order separately
Electrical data	10 A 250 V 4 kV 3
RoHS compliant	Yes

Available Downloads

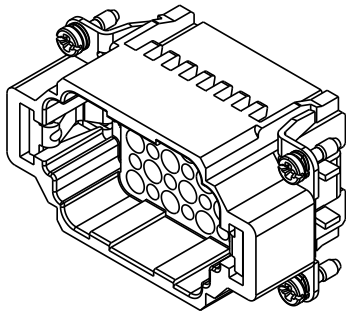
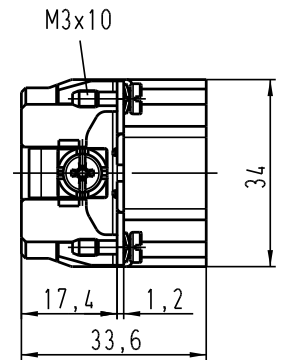
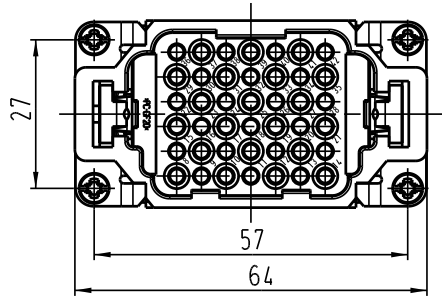
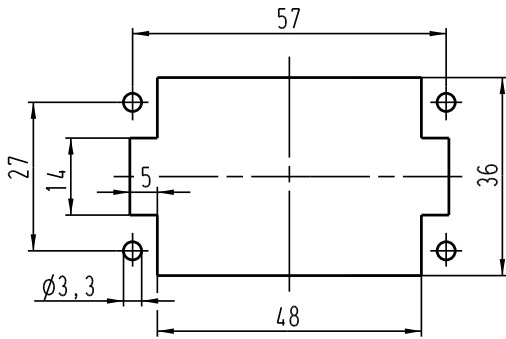
Title	Format	
Data sheet	PDF	download
CAD data 2D	DXF	download
CAD data 3D	IGES	download

Inquiry

Alle Rechte vorbehalten / All rights reserved

5 4 3 2 1

Montageausschnitt /
panel cut out



All Dimensions in mm Original Size DIN A 4		Techn. Character.			Nicht tolerierte Masse / free size tolerances		
			Dat.	Name	Massestab/Scale	Han 42DD-M-c Stifteinsatz / male insert	
			Detail.	24.06.03			1:1
			Insp.	KR			
			Stand.				
410513			HARTING Electric GmbH & Co. KG			TB 09 16 042 3001 Sub. TB 09 16 042 3001 v. 22.03.99	
Mod.	Dat.	Name	D-32339 Espelkamp				
						Blatt / page	