

Type: 106



Miniaturised single pole thermal circuit breaker with push-to-reset tease free, trip-free, snap action mechanism (R-type TO CBE to EN 60934), threadneck mounting.

Approved to CBE standard EN 60934 (IEC 60934). For higher current ratings see type 1140-G.

Voltage rating:

- AC 240 V
- DC 48 V
- UL/CSA: AC 250 V

Current ratings:

from 0.05 A to 10 A

Number of poles:

single pole

Mounting method:

threadneck

Terminal design:

blade terminals

Actuation:

push button

Auxiliary contacts:

without auxiliary contacts

Water splash protection:

with water splash protection
without water splash protection

Illumination:

without illumination

Typical life:

0.05...5 A: 3,000 operations at $2 \times I_N$, inductive

6...8 A: 500 operations at $2 \times I_N$, inductiv

10 A: 50 operations at $2 \times I_N$, inductiv

Interrupting capacity I_{cn} :

0.05...8 A: $6 \times I_N$ (AC)

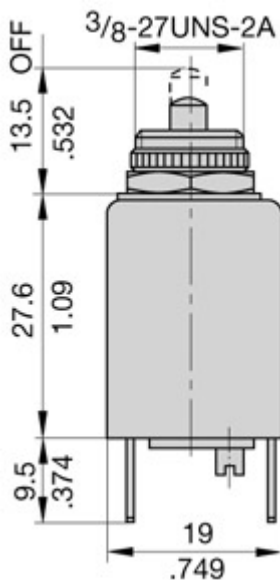
> 8...10 A: $5 \times I_N$ (AC)

0.05...10 A: $6 \times I_N$ (DC)

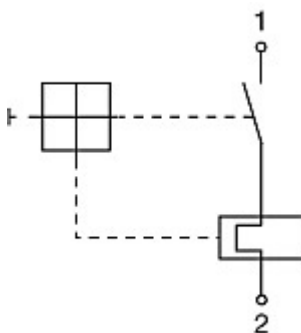
Approvals:

VDE, SEV, CSA, UL, Kema

Dimensions



Internal connection diagrams



Description

Miniaturised single pole thermal circuit breaker with push-to-reset tease free, trip-free, snap action mechanism (R-type TO CBE to EN 60934). Available in versions for PCB or panel mounting, snap-in or threadneck, or as an integral type. Manual release facility optional for type 105. Approved to CBE standard EN 60934 (IEC 60934). For higher current ratings see type 1140.

Typical applications

Motors, transformers, solenoids, printed circuit boards, hand-held machines and appliances, marine applications, caravans.

Ordering information

Type No.

104	PCB mounting type (-PR), or integral type (-P30/P10)
105	snap-in panel mounting
106	threadneck panel mounting with hex and knurled nut*
106-M2	threadneck panel mounting 3/8-27UNS with collar, hex nut and knurled nut*

Terminal design

P10	blade terminals A6.3-0.8 (QC .250)
P30	blade terminals A2.8-0.8 (QC .110)
PR	solder terminal pins for PCB mounting (type 104 only)
PR2	PCB mounting (vertical), type 104 only up to 6 A
PR3	PCB mounting (vertical), type 104 only

Shunt terminal (optional)

A3 same as main terminals (up to I_N 6 A/3 A max. load)

Manual release facility (optional)

H only with type 105

Auxiliary contacts (optional)

Si51 type 104 only

Current ratings

0.05...10 A

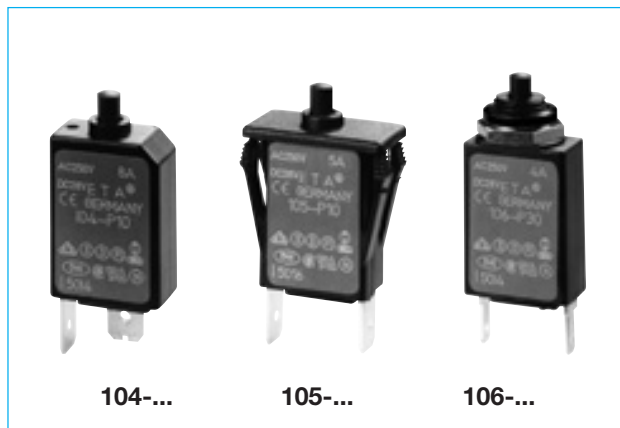
106 - P30 - ... - ... - 5 A = ordering example

The exact part number required can be built up from the table of choices shown above. Ordering references for optional features should be omitted if not required.

* mounting hardware bulk shipped

Standard current ratings and typical internal resistance values

Current rating (A)	Internal resistance (Ω)	Current rating (A)	Internal resistance (Ω)
0.05	285	1.8	0.28
0.08	134	2	0.25
0.1	81	2.5	0.18
0.2	22	3	0.11
0.3	8.7	3.5	0.076
0.4	5.5	4	0.067
0.5	3.3	4.5	0.051
0.6	2.45	5	≤ 0.05
0.7	1.6	6	≤ 0.05
0.8	1.45	7	≤ 0.05
1	0.9	8	≤ 0.05
1.2	0.6	10	≤ 0.05
1.5	0.4		



Technical data

For further details please see chapter: Technical Information

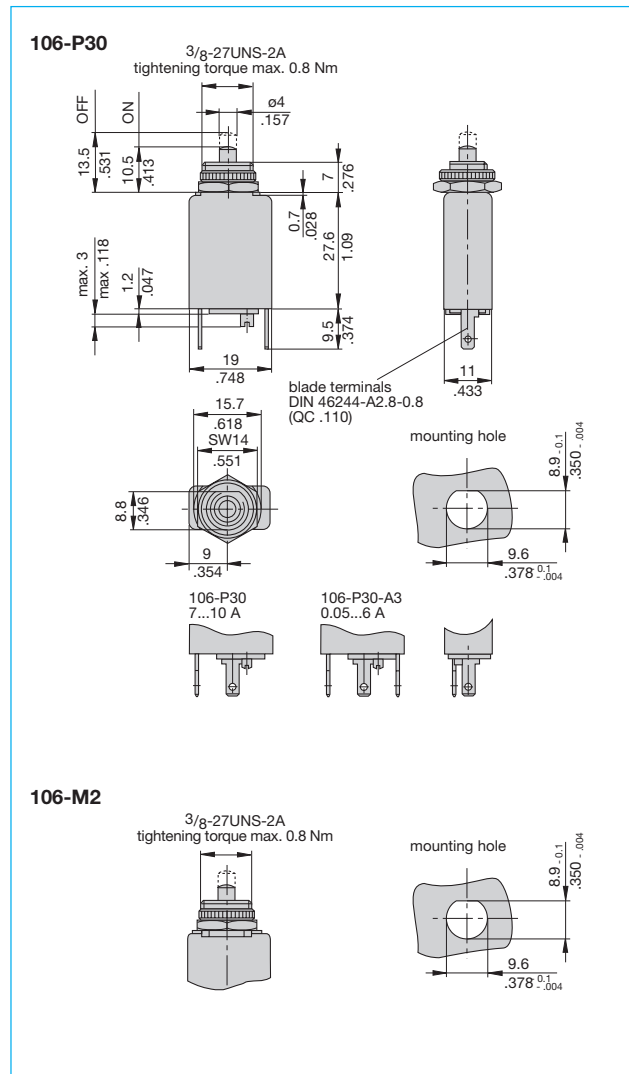
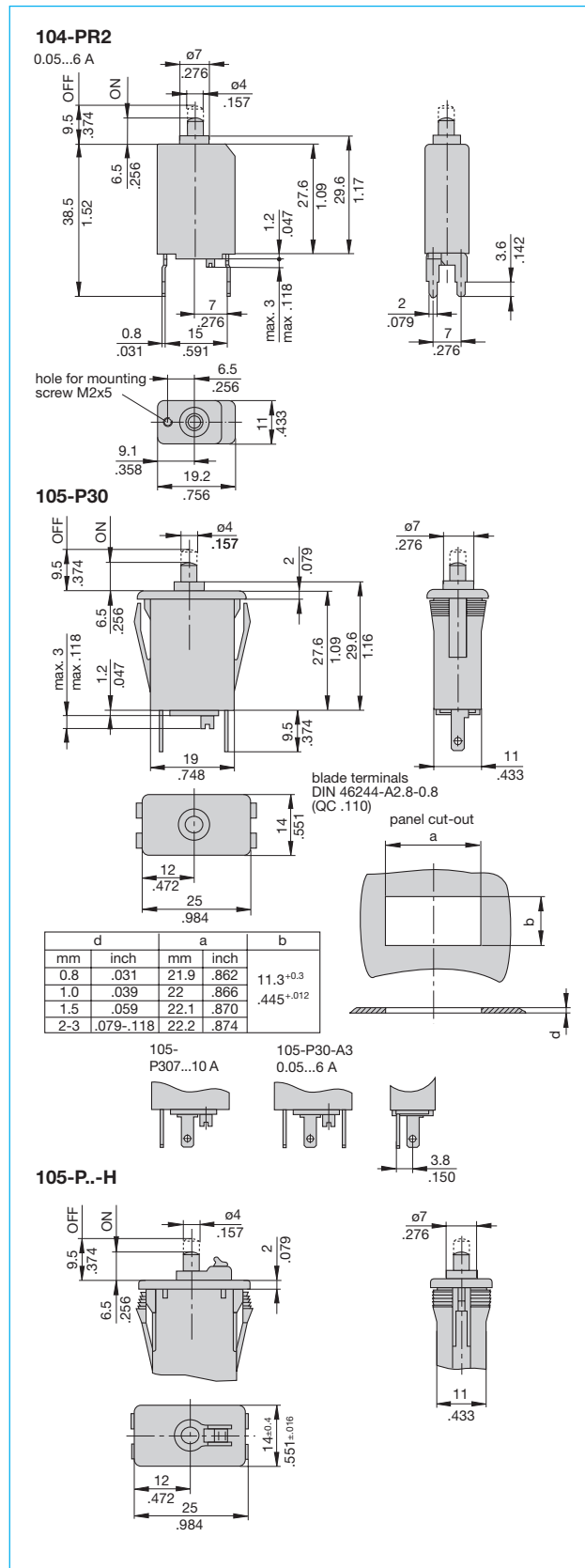
Voltage rating	AC 240 V; DC 48 V (UL: AC 250 V; DC 48 V)	
Current ratings	0.05...10 A	
Auxiliary circuit	0.5 A, AC 240 V, DC 28 V	
Typical life	AC 240 V	
	0.05...8 A	2,000 operations at $1 \times I_N$, inductive
	0.05...5 A	3,000 operations at $2 \times I_N$, inductive
	6...8 A:	500 operations at $2 \times I_N$, inductive
DC 48 V	0.05...8 A	2,000 operations at $1 \times I_N$, inductive
	0.05...5 A	3,000 operations at $2 \times I_N$, inductive
	6...8 A:	500 operations at $2 \times I_N$, inductive
	10 A	200 operations at $1 \times I_N$, inductive
	10 A	50 operations at $2 \times I_N$, inductive
Ambient temperature	-20...+60 °C (-4...+140 °F) T 60	
Insulation co-ordination (IEC 60664 and 60664 A)	rated impulse withstand voltage	pollution degree
	2.5 kV	2
	reinforced insulation in operating area	
Dielectric strength (IEC 60664 and 60664 A)	test voltage	
	operating area AC 3,000 V	
Insulation resistance	> 100 M Ω (DC 500 V)	
Interrupting capacity I_{cn}	0.05...8 A	$6 \times I_N$ AC
	> 8...10 A	$5 \times I_N$ AC
	0.05...10 A	$6 \times I_N$ DC
Interrupting capacity (UL 1077)	I_N	U_N
	0.05...10 A	AC 250 V 2,000 A
	0.05...10 A	DC 48 V 200 A
Degree of protection (IEC 60529/DIN 40050)	operating area IP40 terminal area IP00	
Vibration	10 g (57-500 Hz) \pm 0.76 mm (10-57 Hz), to IEC 60068-2-6, test Fc, 10 frequency cycles/axis	
Shock	25 g (11 ms) to IEC 60068-2-27, test Ea	
Corrosion	96 hours at 5 % salt mist, to IEC 60068-2-11, test Ka	
Humidity	240 hours at 95 % RH, to IEC 60068-2-3, test Ca	
Mass	approx. 10 g	

Approvals

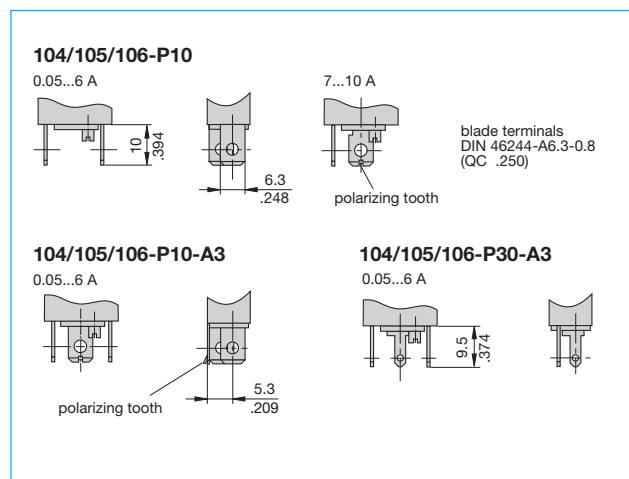
Authority	Voltage ratings	Current ratings
VDE, SEV,	AC 240 V	0.05...8 A
Kema (EN 60934)	DC 48 V	0.05...10 A
CSA, UL	AC 250 V; DC 48 V	0.05...10 A

Circuit breakers with -Si51 not approved

Dimensions



Terminal design



This is a metric design and millimeter dimensions take precedence ($\frac{mm}{inch}$)