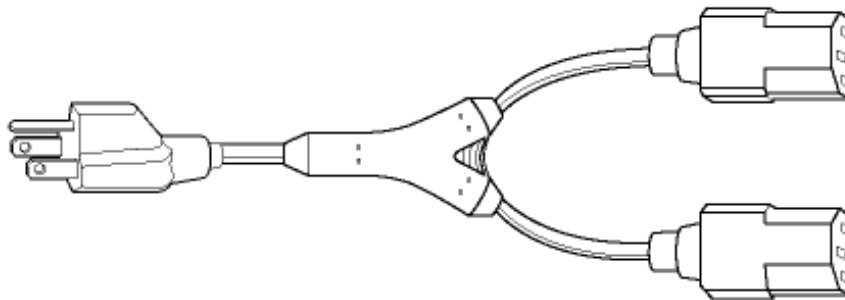


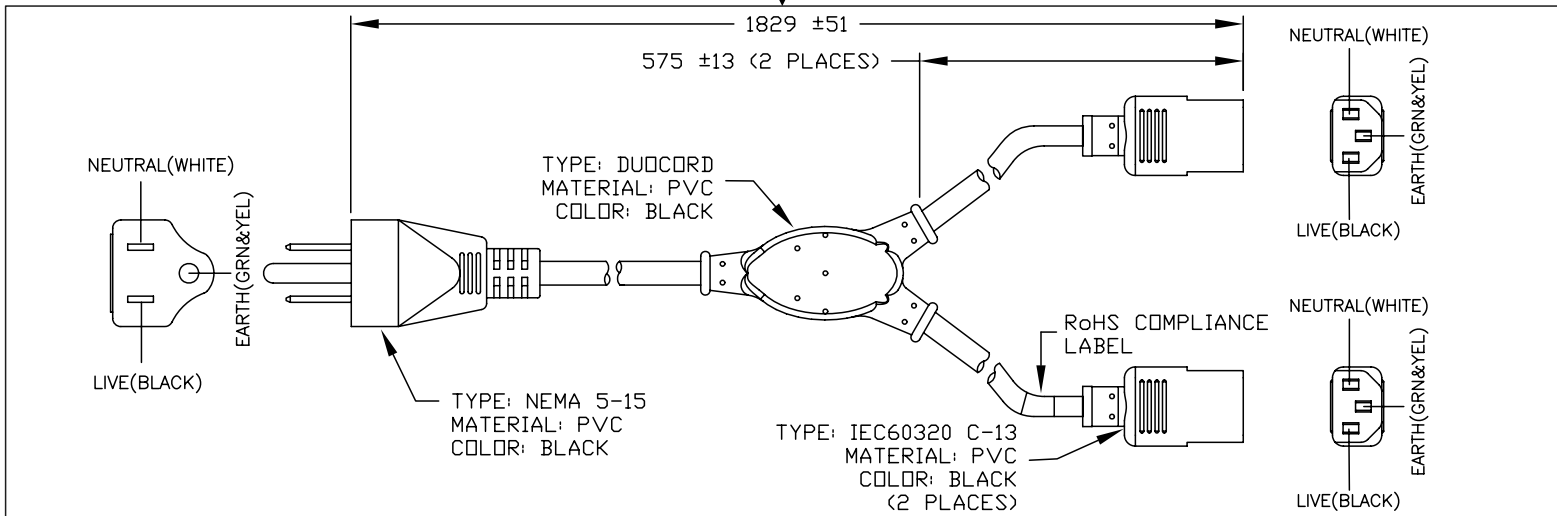
VOLEX

GROUP

Standard Cord Details: 17274A 10 B1



Specifications	
Certifications	
Part Number	17274A 10 B1
Connector Type	C13
Plug Type	5-15P
Category	Plastic
Application	Y Cord
Plug Catalog No.	
Connector Catalog No.	
Cable	SJT AWG 16x3
Jacket Color	Black
Length in Feet	6':2' legs
Length in Meters	
Temperature Rating	60 C
Packaging Units Per Carton	25
Color Coding	North America
Nominal OD in Inches	0.34
Nominal OD in Millimeters	8



VOLEX RESERVES THE RIGHT TO ALTER NON-CRITICAL DIMENSIONS WITHOUT NOTICE.

PACKAGING: BULK (NO HANK OR COIL)

NOTES:

- 1) CORDAGE: 16/3 SJT, 60°C, BLACK, LEAD FREE
- 2) APPROVALS:
- 3) RATING: 13 AMPS/125 VOLTS
- 4) FLAME RATING : FT2
- 5) PACKAGING: 50 PIECES/CARTON
- 6) ALL DIMENSIONS IN MILLIMETERS.

2	CORRECTED VOLTAGE RATING (NOTE 3)	1/8/08
1	C.U.D - NEW RELEASE	9/5/07
REV	DESCRIPTION	DATE

 FORM IN71-07 REV.A	<input checked="" type="checkbox"/> Indianapolis, IN <input type="checkbox"/> Conover, N.C. <input type="checkbox"/> Freemont, CA <input type="checkbox"/> Aguascalientes, MX <input type="checkbox"/> Tijuana, Mexico <input type="checkbox"/> Hermosillo, MX <input type="checkbox"/> Clinton, AR <input type="checkbox"/> Kanata, Canada	Proprietary Notice: This document is the property of Volex Incorporated. The information contained herein is not to be disclosed to anyone without the express written consent of Volex Inc.	MATERIAL: PLUG: PVC, BLACK JACKET: PVC, BLK, LEAD FREE FINISH: JACKET: SMOOTH	SCALE: NOT TO SCALE ECD: N/A	ITEM DESCRIPTION CORDSET - NORTH AMERICAN DETACHABLE POWER SUPPLY CORD (6')
	TOLERANCE UNLESS OTHERWISE SPECIFIED .XXX ± .005 .XX ± .02 .X ± .03 FRACT. ± 1/32 ANGULAR ± 1/2°	APPROVED STC	DRAWN BY STC	DATE: 9/5/07	PART NO. 17274A 10 B1