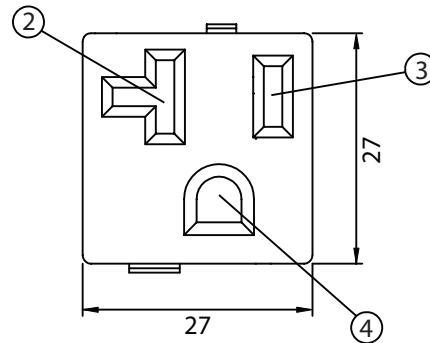
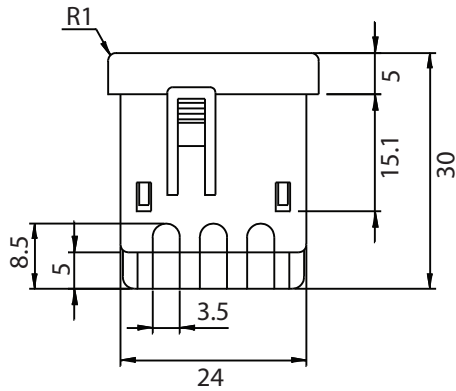
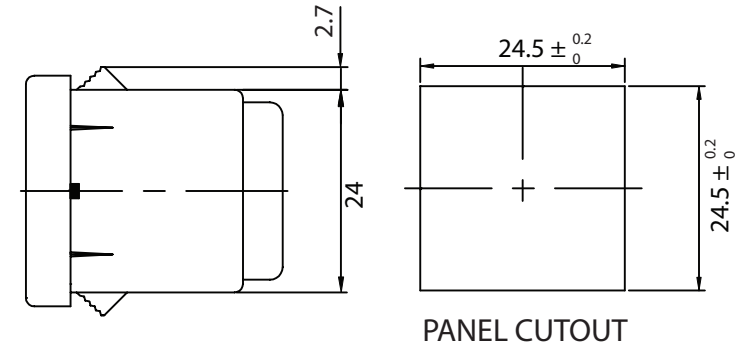
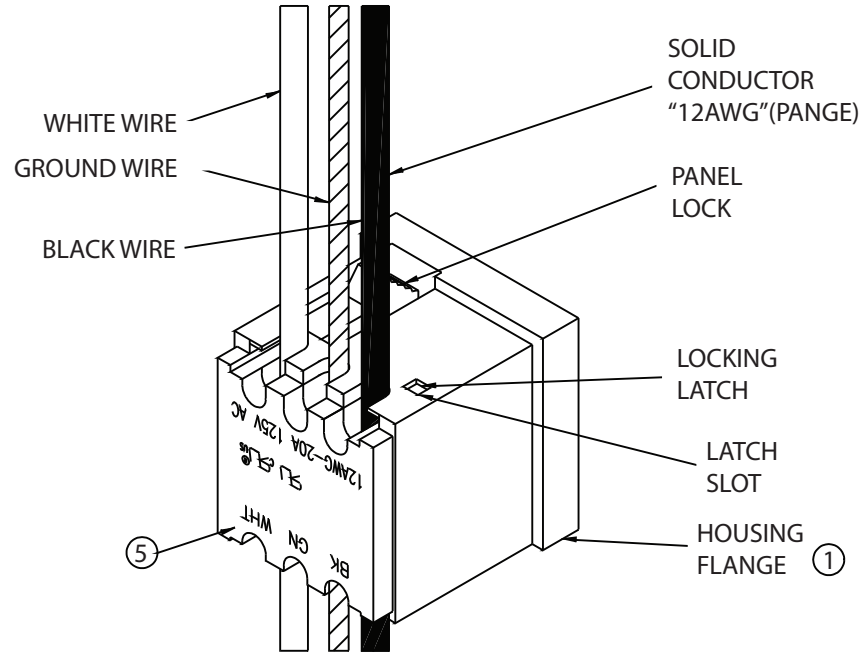


REVISION			
REV.	DESCRIPTION	DATE	APPROVED
B	RoHS Compliancy	06-01-06	DP
C	UL Reapproval	05-27-07	DP

THESE DRAWINGS ARE THE PROPERTY OF QUALTEK ELECTRONICS AND NOT TO BE REPRODUCED FOR OR COMMUNICATED TO A THIRD PARTY WITHOUT THE EXPRESS WRITTEN PERMISSION OF AN OFFICER OF QUALTEK ELECTRONICS.



NOTES:

USE 12 AWG SOLID COPPER WIRE ONLY  
 20A 125V  
 PANEL THICKNESS: 0.8~1.8mm  
 APPROVALS: UL,cUL  
 PRODUCT SHIPPED UNASSEMBLED  
 RoHS COMPLIANT

**CONTROLLED**

5	Cover back of the body, NYLON Black Color	1
4	Contact PIN Bronze Strip t=0.7mm	1
3	Contact PIN Bronze Strip t=0.7mm	1
2	Contact PIN Bronze Strip t=0.7mm Ni-Plated	1
1	Body Insulator NYLON Black Color	1

Dim range (mm)	Tolerance +/- (mm)	Qualtek Electronics Corp. PPC DIVISION		
		Part Number: 739W-X2/20 <span style="border: 1px solid green; padding: 2px;">RoHS Compliant</span>		
0-1	0.15	Description: SNAP-IN 20 AMP T-SLOT RECEPTACLE		
1-6	0.20			
6-18	0.30		UNIT: mm	REV. C
18-50	0.50			
50-120	0.70	Drawn / Date	Checked / Date	Approved / Date
120-250	0.90	R.Nuti 05-27-07	05-27-07	JJH / 05-27-07
250-500	1.20			