






## Low Profile

Part# PRX+	<a href="#">7100</a>	<a href="#">7200</a>	<a href="#">7300</a>	<a href="#">8200</a>	<a href="#">8300</a>	<a href="#">8500</a>	<a href="#">8800</a>
<b>CONTACT FORM</b>	FORM A	FORM C	FORM B	FORM A	FORM C	FORM A	FORM B
	SPST-NO	SPDT	SPST-NC	SPST-NO	SPDT	SPST-NO	SPST-NC
<b>SWITCHING RATING</b>							
<b>VOLTS DC MAX</b>	30	30	30	200	100	SEE NOTE 7	100
<b>AMPS DC MAX</b>	0.25	0.10	0.10	0.50	0.25	1.5 AC	0.25
<b>WATTS DC MAX VOLTAGE</b>	3.0	3.0	3.0	10	3.0	360 VA	3.0
<b>HOLDOFF (DC) MIN.</b>	200	200	200	350	200	N/A	200
<b>INITIAL RESISTANCE (OHMS)</b>	.25	.50	.50	.25	.25	NA	.25
<b>OPERATING TEMP RANGE (°C)</b>	-40 +75	-40 +75	-40 +75	-40 +100	40 +100	-40 +75	-40 +100
<b>D-MUST OPERATE (INCH)</b>	.500	.500	.500	.500	.500	.500	.500
<b>D-MUST RELEASE (INCH)</b>	1.000	1.000	1.000	1.000	1.000	1.250	1.000
<b>WIRE COLOR/AWG</b>	GRAY/24	RED-N.C./28 WHT.-N. O./28 BLK.- COM/28	GRAY/24	WHT/22	BLUE-N. C./22 RED-N.O/22 WHT.- COM/22	WHT/22 RED/22	RED/22
<b>ACTUATOR PART NO.</b>	7000ACT	7000ACT	7000ACT	8100ACT	8100ACT	8100ACT	8100ACT

**NOTES:**

Part Number **PRX+8300** Contact Form C Switch Configuration SPDT Rev. C
**Low-Profile Proximity Sensor**

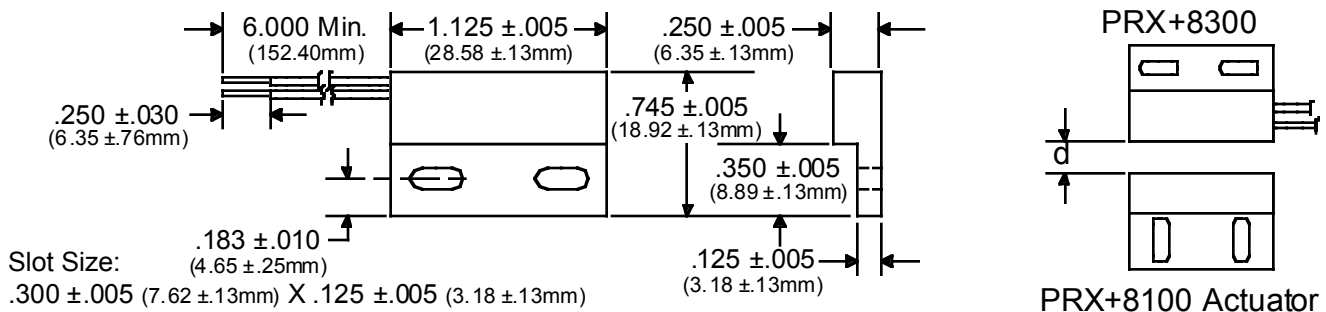
Features	Advantages
<ul style="list-style-type: none"> <li>• Hermetically sealed contacts</li> <li>• Low profile design</li> <li>• Black Valox housing</li> </ul>	<ul style="list-style-type: none"> <li>• Extended operations in extreme environments</li> <li>• Not ESD sensitive</li> <li>• Custom sensitivity and configurations available</li> <li>• Non-obtrusive appearance</li> <li>• Housing material flame rating: UL94</li> <li>• UL recognized component. Temp. rating per UL. Consult factory for extreme temp. operation.</li> </ul>

**Electrical Specifications**

Power		Watts - maximum	3
Voltage	Switching	VDC - maximum	120
	Breakdown	VDC - minimum	400
Current	Switching	Amp - maximum	0.25
	Carry	Amp - maximum	2.6
Resistance	Initial Contact Resistance	Ohm - maximum	0.25
	Insulation Resistance	Ohm - minimum	1 E9
Capacitance	Contact	pF - typical	1.7
Temperature	Operating	°C - maximum	+60
	Storage	°C	-40 to +140

**Physical/Operational Specifications**

Housing Volume	Excluding Connection	CC - nominal	1.7
External Connection	22 AWG	UL 1015	PVC
Must Operate	Distance (d)	Inches	0.500
Must Release	Distance (d)	Inches	1.000
Operate Time	Including Bounce	mSeconds - maximum	1.00
Release Time	Including Bounce	mSeconds - maximum	.80


**Notes:**

- (1) Specifications are not constant across entire magnetic range.
- (2) Customer must exercise care in handling and mounting to prevent damage to internal components and subsequent changes to sensor performance.
- (3) For information about performance, custom configuration (i.e. wire length or color; connectors; operational variation), or packaging contact our Sales department.
- (4) Information contained hereon is for informational purposes only and should not be deemed as accurate for a specific application. Consult factory for specific application information and/or latest revision.