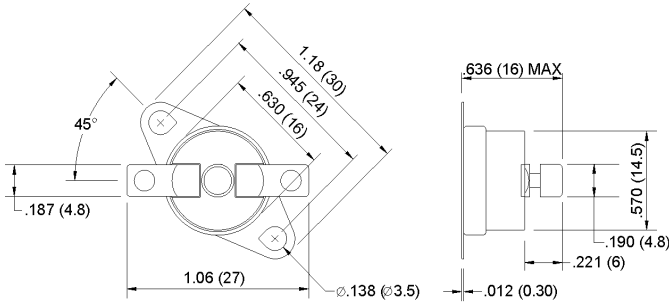


1/2" Disc Thermostats - Manual Reset

OM (603U-H) Series, Gold Contacts (603K)



SPECIFICATIONS

Electrical ratings - Type U-H	125VAC, 15 Amps, Resistive, 6,000 Cycles 250VAC, 10 Amps, Resistive, 6,000 Cycles
Inductive load ratings	120VAC, 5.8FLA, 34.8LRA, 12 Amps, 6,000 Cycles 250VAC, 2.9FLA, 17.4LRA, 6,000 Cycles
Electrical ratings - Type K (Type K not VDE approved)	30VDC, 1 Amp, Resistive, 6,000 Cycles 120VAC, 125VA (pilot duty), 6,000 Cycles
Temperature range	120°F to 302°F (50°C to 150°C)
UL approved models	
Non-UL approved models	302°F to 320°F (150°C to 160°C)
Manual reset	30% below operating temperature
Automatic reset	-40°F
Environmental temperature	32°F to 350°F (0°C to 177°C)
Insulation resistance	100M Ω or more (with a 500VDC megger)
Circuit resistance	50m Ω or less (initial value)
Dielectric strength	1,500VAC/1 minute
Approvals	UL Recognized File No. E145478(S), XAPX2 C-UL Recognized File No. E145478(S), XAPX8 CSA File No. LR63201 VDE File No. 135151 (Type U-H only) RoHS Compliant

APPLICATIONS

- Fireplaces
- Vacuum cleaners
- Food service equipment

This line of highly reliable switches utilize a snap-action bimetal disc, electrically and thermally isolated from the switch. The contacts are normally closed and open when surface or ambient temperature set point is reached. The circuit will remain open until the manual reset button is depressed at approximately 30% below operating temperature. All models are 100% temperature tested which can be calibrated to your specification at the factory.

Value Added options available including over-mold and seal. For details regarding Value Added options, see page 51.

Models available from stock - subject to availability • OM Series - Open On-Rise (normally closed)

Open On-Rise	Model Number	Open °F	Mounting	Terminals	Orientation from Mounting Holes
Open	OM-140-QC	140 ± 10	surface	.250 quick connects, horizontal	90°
Open	OM-150-QCV	150 ± 10	rotating bracket	.250 quick connects, vertical	●
Open	OM-160	160 ± 10	surface	solder	45°
Open	OM-180-QC	180 ± 10	surface	.187 quick connects, horizontal	45°
Open	OM-194	194 ± 10	surface	solder	90°
Open	OM-195-QC	195 ± 10	rotating bracket	.250 quick connects, horizontal	●
Open	OM-200-QCV	200 ± 10	surface	.250 quick connects, vertical	90°
Open	OM-212-QC	212 ± 10	rotating bracket	.250 quick connects, horizontal	●
Open	OM-225-QC	225 ± 10	rotating bracket	.250 quick connects, horizontal	●
Open	OM-250	250 ± 10	surface	solder	45°
Open	OM-250-QC	250 ± 10	surface	.250 quick connects, horizontal	45°
Open	OM-260-SO	260 ± 7	6-32 stud	.250 quick connects, horizontal	●
Open	OM-265-A	265 ± 10	air	solder	45°
Open	OM-285-QC	285 ± 10	surface	.250 quick connects, horizontal	45°
Open	OM-302-QCV	302 ± 10	surface	.250 quick connects, vertical	90°
Open	OM-320	320 ± 10	surface	solder	45°
Open	OM-320-QC	320 ± 10	surface	.250 quick connects, horizontal	45°