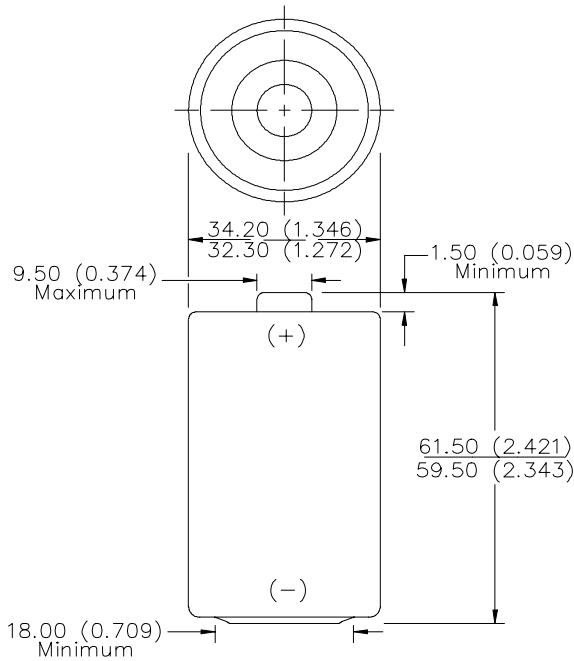


ENERGIZER NO. E95

D



Industry Standard Dimensions in mm (inches)



Negative cover detail referenced on page 2

Chemical System: Alkaline
 Zinc-Manganese Dioxide (Zn/MnO₂)
 (No Added Mercury or Cadmium)

Designation: ANSI-13A, IEC-LR20

Battery Voltage: 1.5 Volts

Internal Resistance: 173 Milliohms (Fresh)

Operating Temp: -18°C to 55°C (0°F to 130°F)

Average Capacity: 20,500 mAh (to 0.8 volts)
 (Rated capacity at 25 mA continuous drain)

Average Weight: 141.9 grams (5.03 oz.)

Volume: 55.9 cubic centimeters (3.4 cubic inch)

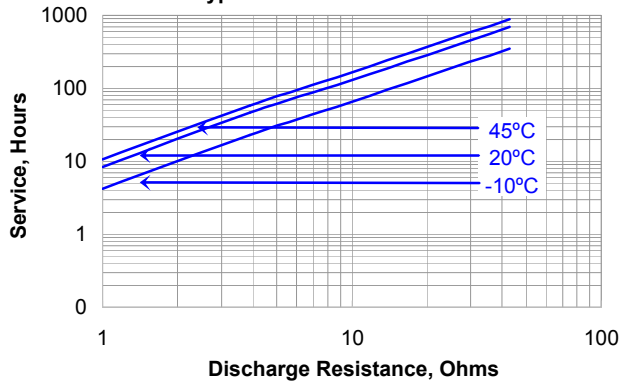
Cell: One No. 3-350 (size 'D')

Jacket: Plastic Label

Shelf Life: 7 years (80% of rated capacity)

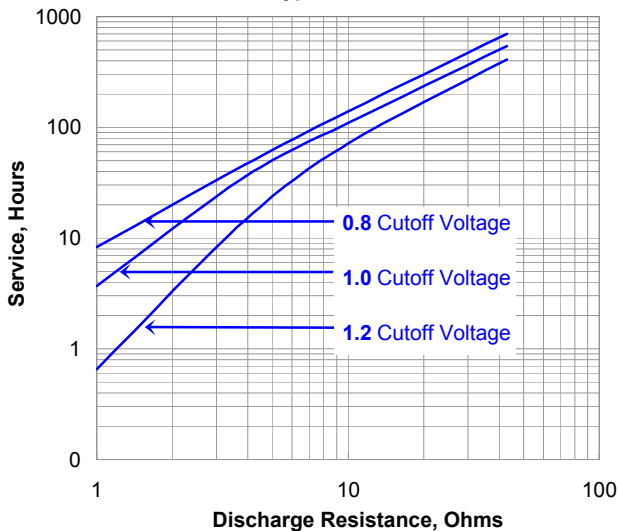
TEMPERATURE EFFECTS

Typical Service to 0.8 Volts



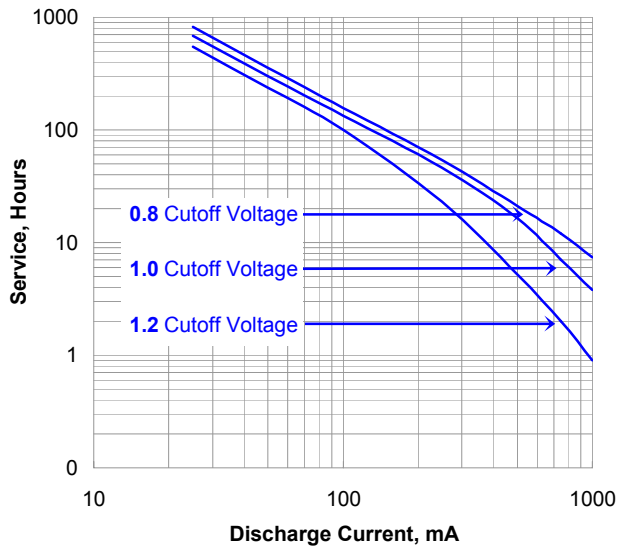
CONSTANT RESISTANCE PERFORMANCE

Typical Service



CONSTANT CURRENT DISCHARGE

Typical Service



Important Notice

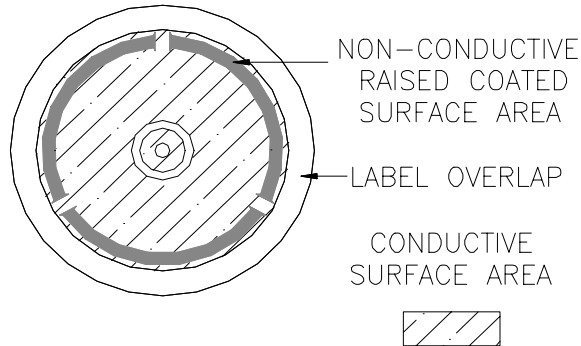
This data sheet contains information specific to batteries manufactured at the time of its publication.

Contents herein do not constitute a warranty.

Copyright © Eveready Battery Co. - All rights reserved

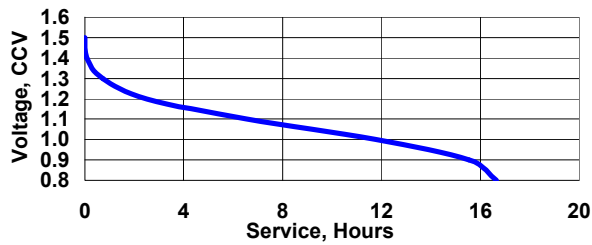
ENERGIZER NO. E95

NEGATIVE COVER VIEW

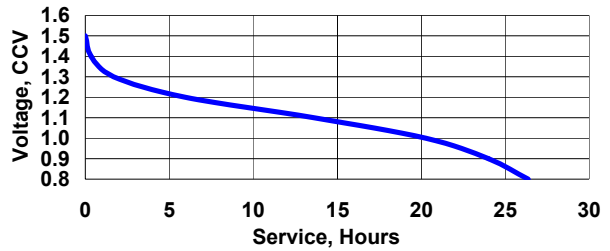


Industry Standard Tests @ 20° C

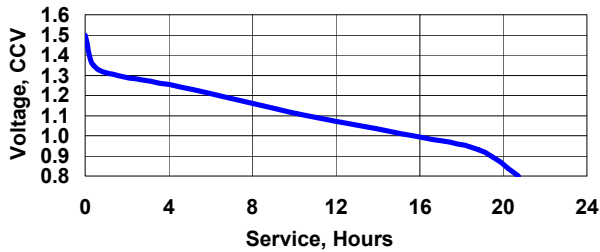
PORTABLE LIGHTING
1.5 ohm - HIF



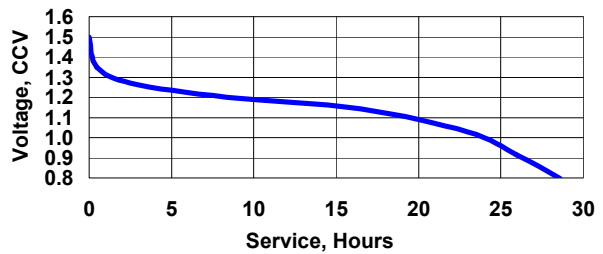
TOY
2.2 ohm - 1hr/day



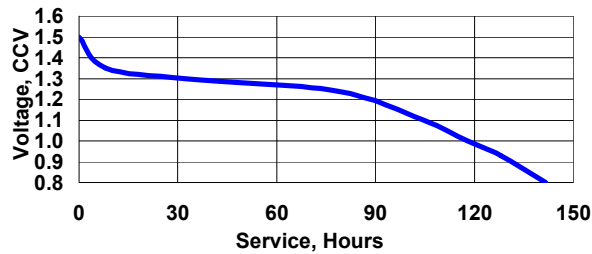
PORTABLE STEREO
600 mA - 2 hr/day



PORTABLE LIGHTING
2.2 ohm - LIF



RADIO
10 ohm - 4 hr/day



Important Notice

This data sheet contains information specific to batteries manufactured at the time of its publication.

Contents herein do not constitute a warranty.

Copyright © Eveready Battery Co. - All rights reserved