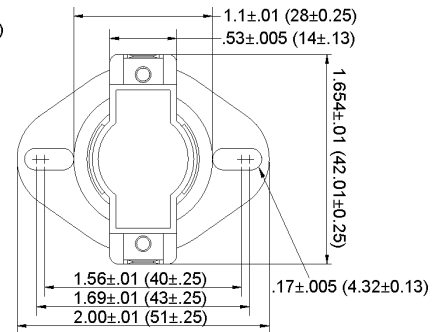
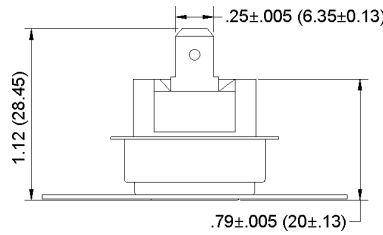
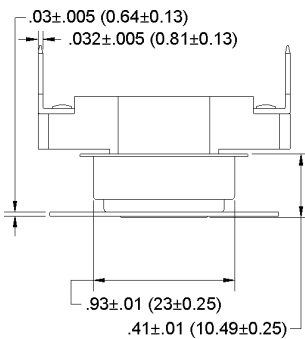


3/4" Disc Thermostats - Automatic Reset

SES (T11) Series - Surface Mount



FEATURES

- 25 Amp capacity
- UL and CUL approved
- Factory calibrated to your specifications

APPLICATIONS

- Pumps
- H.V.A.C.
- Automotive
- Medical/Lab Equipment

The T11 model is designed to attach directly to equipment to provide instantaneous temperature measurement and reliable protection. The units feature a bimetallic, temperature sensitive disc for snap-action in opening and closing switch contacts. The bimetallic disc is thermally and electrically insulated from the electrical circuit, eliminating self-heating effects. Only the temperature of the controlled equipment or its adjacent environment causes the switch to actuate.

Switch operation is rapid and positive due to the characteristics of the bimetallic disc and wiping action of the current carrying contacts. Contact chattering is virtually eliminated, as is false cycling and sparking. The thermostats are enclosed in compact, rugged, tamper-proof cases designed for quick and easy installation in the controlled equipment. Exposed disc and single operation models available.

Models available from stock - subject to availability

Fan Controls • SES-F - Close On-Rise (normally open)

Model Number	Temperature Ranges	
	Open °F	Close °F
SES-F058	44 ± 9	58 ± 5
SES-F120H*	100 ± 9	120 ± 5
SES-F130	115 ± 9	130 ± 5
SES-F140	140 ± 9	120 ± 5
SES-F200H*	160 ± 9	200 ± 5

* Horizontal terminals

SPECIFICATIONS

Electrical ratings	120VAC, 240VAC, 25 Amps, Resistive, 60Hz 120VAC, 10FLA, 60LRA, 60Hz, Inductive 240VAC, 5FLA, 30LRA, 60Hz, Inductive 100,000 Cycles
Temperature range (UL Models)	33°F to 302°F (1°C to 150°C)
Temperature range (Non-UL Models)	302°F to 350°F (150°C to 177°C)
Differential	14°F to 100°F (8°C to 56°C) - SPST Models 27°F to 100°F (15°C to 56°C) - SPDT Models
Dielectric strength	1,500VAC/1 minute
Approvals	UL Recognized File No. E145478(S), XAPX2 C-UL Recognized File No. E145478(S), XAPX8

Models available from stock - subject to availability

Limit Controls • SES-L - Open On-Rise (normally closed)

Model Number	Temperature Ranges	
	Open °F	Close °F
SES-L110	110 ± 7	96 ± 9
SES-L120	120 ± 7	106 ± 9
SES-L150	150 ± 7	130 ± 9
SES-L180	180 ± 7	150 ± 9
SES-L190	190 ± 7	160 ± 9
SES-L213H*	213 ± 7	155 ± 9
SES-L250	250 ± 7	220 ± 9
SES-L275H*	275 ± 7	245 ± 9

* Horizontal terminals

It is the customer's sole responsibility to specify and determine the suitability of a particular control or component based on their unique individual applications and requirements

(714) 917-1333 • (800) 257-3526 • FAX (714) 917-1355 • E-mail: sales@selcoproducts.com