

HBL2711 -- Twist-Lock Plug



3P4W, 30A 125/250V, L14-30P, Black & White Nylon

HBL2711

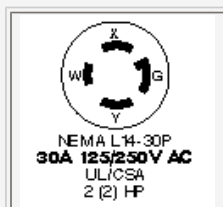
Product Specifications

Product Type

Twist-Lock
Devices

Product Item	Plug
Wiring Scheme	3 Pole, 4 Wire Grounding
Amperage	30A
Voltage	125/250V AC
NEMA Configuration	L14-30P
Item Style	Insulgrip
Device Color	Black/White
Horsepower	2 (2)
Cord Dia.	.35"-1.15" (9-29)
Blade Holder Material	Natural White Nylon
Terminal Retainer Material	Clear polycarbonate
Housing Material	Black nylon
Cord Clamp Material	Natural (white) nylon

Blade Material	Brass
Terminal Clamp Material	.08" (2) steel-nickel plated
Terminal Screw Material	#10-32 Brass (white finish on neutral screw when used) Multi-drive
Ground Screw Material	#10-32 Brass (green finish) Multi-drive
Cord Clamp Screw Material	Steel, zinc plated Multi-drive
Body Holding Screw Material	Steel, zinc plated Multi-drive
Ratings	Molded into face
Catalog No.	Permanently ink marked on body.
Dielectric Voltage Withstand	2,000V minimum
Current Interrupting	Certified for current interrupting at full rated current.
Temperature Rise	Max 30 C temperature rise at full rated current after 50 cycles of overload at 150% of rated current at a power factor of .75.
Cord Accommodation	Round portable service cords of diameters commensurate with the device rating as defined in UL Standard 62, CSA C22.2 No. 49.
Terminal Accommodation	30A #10 AWG
Terminal Identification	Terminals identified in accordance with UL 498 (X, Y, Z, White, Green)
Flammability	HB or better per UL 94 or CSA 22.2 No. 0.6
Operating Temperatures	Maximum Continuous 75 C Minimum -40 C (w/o impact)
Moisture Resistance	IP20
Listings	FED SPEC UL/CSA
Catalog Page	Click here for catalog page B40
Brochures	Click here for product brochure
Hubbellnet	Click here for Hubbellnet
Catalog Section	Click here for Section-B
UPC Number	78358503914
Weight in LBs	0.25



NEMA
Configuration

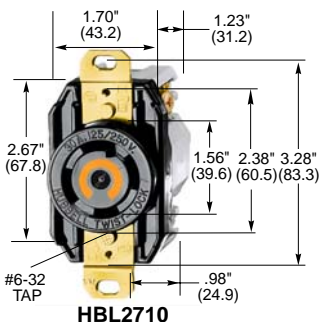


TWIST-LOCK® Devices

3 Pole, 4 Wire Grounding

30 Ampere, 125/250 Volts and 3Ø 250 Volts

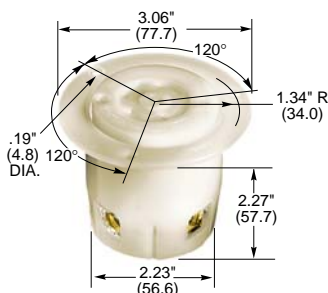
Receptacles, INSULGRIP® Connector Bodies, Flanged Devices and Plugs



HBL2710



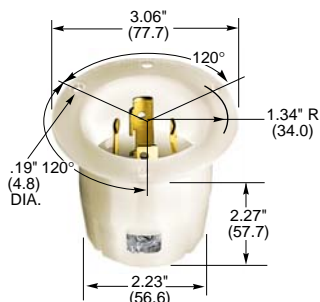
HBL2713



HBL2716



HBL2711



HBL2715



NEMA L14-30R
30A 125/250V
UL/CSA
2 (2) HP



NEMA L15-30R
30A 3Ø 250V AC
UL/CSA
3 HP

Single Flush Receptacles, Back and Side Wired

Description	Catalog Numbers	
Black nylon face.	HBL2710	HBL2720
Isolated ground, orange nylon face.	IG2710	IG2720

Insulgrip Connector Bodies IP20 SUITABILITY

Description	Catalog Numbers	
Black and white nylon.	HBL2713	HBL2723
Corrosion resistant, yellow nylon.	HBL27CM13	HBL27CM23

Note: Cord clamp range .35"-1.15" (9-29).

Insulgrip Flanged Receptacles

Description	Catalog Numbers	
Nylon casing, back wired.	HBL2716	HBL2726



NEMA L14-30P
30A 125/250V
UL/CSA
2 (2) HP



NEMA L15-30P
30A 3Ø 250V AC
UL/CSA
3 HP

Insulgrip Plugs IP20 SUITABILITY

Description	Catalog Numbers	
Black and white nylon.	HBL2711	HBL2721
Corrosion resistant, yellow nylon.	HBL27CM11	HBL27CM21

Notes: Cord clamp range .35"-1.15" (9-29).
See page B-73 for Add-A-Shroud™ kit.

Insulgrip Flanged Inlets

Description	Catalog Numbers	
Nylon casing, back wired.	HBL2715	HBL2725

Notes: HP ratings not in parentheses are phase to phase.
HP rating in parentheses is phase to neutral.
Only receptacles and plugs are HP rated.
See pages B-70 and B-71 for accessories.
For technical information see page B-83.
See page B-63 for switched enclosure.