

Back

- o Flat Cable Connectors SEK
- o *har-mik*®
- o D-Sub
- o InduCom

➔ Applications

Product details

09 16 072 3001 Male insert, Han 72 DD

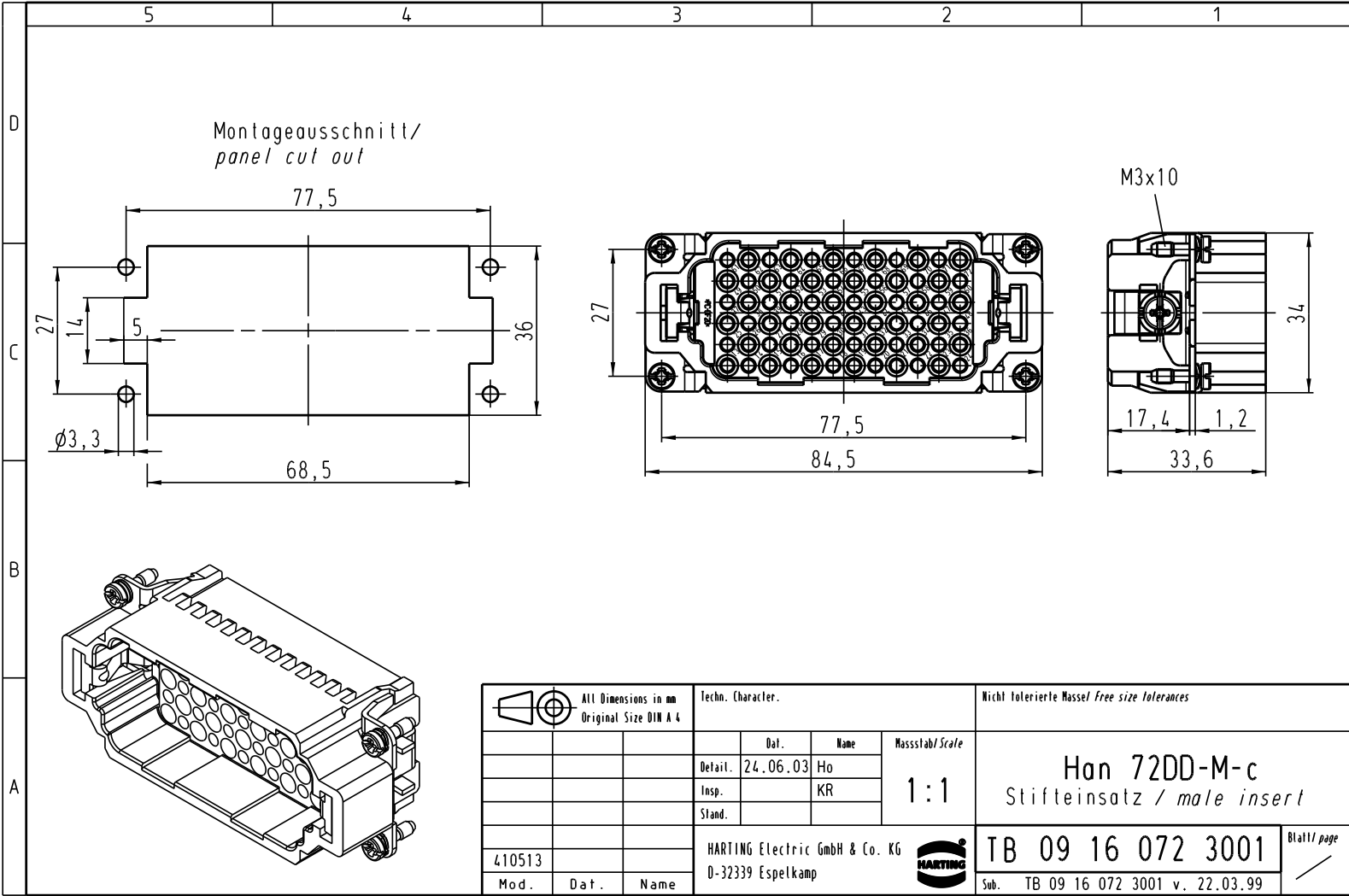
Series	Han DD®
Number of contacts	72 poles + PE
Size of hood/ housing	Han® 16 B
Termination	Crimp termination
Insert material	Standard material
Contacts	Order separately
Electrical data	10 A 250 V 4 kV 3
RoHS compliant	Yes

Available Downloads

Title	Format	
Data sheet	PDF	download
CAD data 2D	DXF	download
CAD data 3D	IGES	download

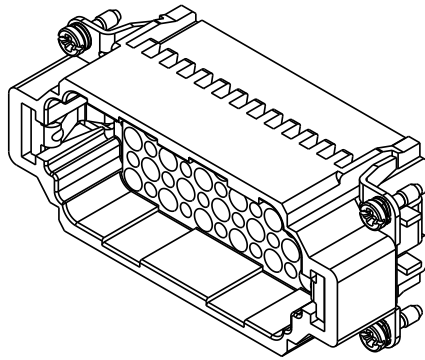
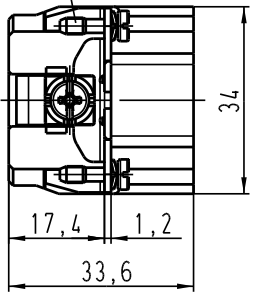
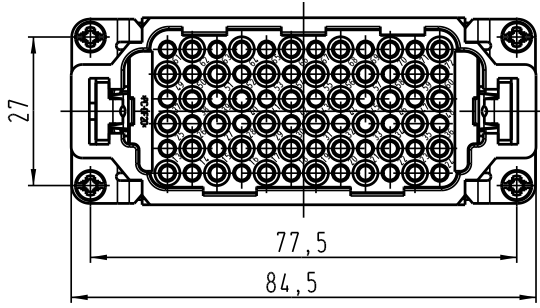
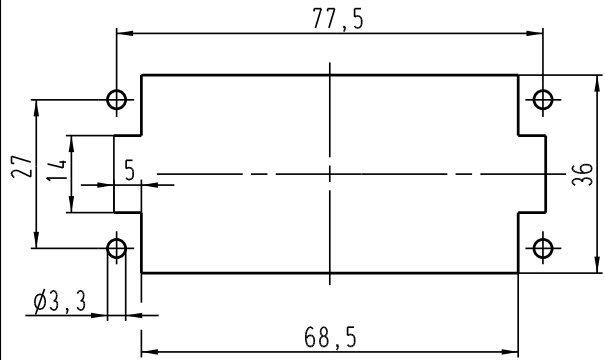
Inquiry

Alle Rechte vorbehalten/ All rights reserved



Montageausschnitt/
panel cut out

M3x10



All Dimensions in mm Original Size DIN A 4		Techn. Character.			Nicht tolerierte Masse! free size tolerances	
			Dat.	Name	Massestab/Scale	Han 72DD-M-c Stifteinsatz / male insert
			Detail: 24.06.03	Ho		
			Insp.	KR		
			Stand.		1:1	
410513			HARTING Electric GmbH & Co. KG			TB 09 16 072 3001 Sub. TB 09 16 072 3001 v. 22.03.99
Mod.	Dat.	Name	D-32339 Espelkamp			
						Blatt/ page