

## HBL2625 -- Twist-Lock Flanged Inlet

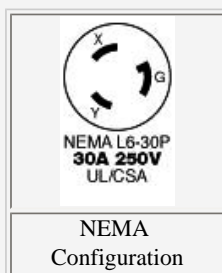


2P3W, 30A 250V, L6-30P, White Nylon

### Product Specifications

<b>Product Type</b>	 <p><b>Twist-Lock Devices</b></p>
<b>Product Item</b>	Flanged Inlet
<b>Wiring Scheme</b>	2 Pole, 3 Wire Grounding
<b>Amperage</b>	30A
<b>Voltage</b>	250V AC
<b>NEMA Configuration</b>	L6-30P
<b>Item Style</b>	Standard
<b>Device Color</b>	White
<b>Terminal Retainer Material</b>	Clear polycarbonate
<b>Blade Material</b>	Brass
<b>Terminal Clamp Material</b>	.08" (2) steel-nickel plated
<b>Terminal Screw Material</b>	#10-32 Brass (white finish on neutral screw when used) Multi-drive
<b>Ground Screw Material</b>	#10-32 Brass (green finish) Multi-drive

<b>Body Holding Screw Material</b>	Steel, zinc plated Multi-drive
<b>Body Contact Carrier Material</b>	Natural White Nylon
<b>Flanged Casing Material</b>	Natural White Nylon
<b>Mounting Screw Material</b>	Nickel-plated Brass Round head screws
<b>Ratings</b>	Molded into face
<b>Catalog No.</b>	Permanently ink marked on casing
<b>Dielectric Voltage Withstand</b>	2,000V minimum.
<b>Current Interrupting</b>	Certified for current interrupting at full rated current.
<b>Temperature Rise</b>	Max 30 C temperature rise at full rated current after 50 cycles of overload at 150% of rated current at a power factor of .75.
<b>Terminal Accommodation</b>	30A #10 AWG
<b>Terminal Identification</b>	Terminals identified in accordance with UL 498 (X, Y, Z, White, Green)
<b>Flammability</b>	HB or better per UL 94 or CSA 22.2 No. 0.6
<b>Operating Temperatures</b>	Maximum Continuous 75 C Minimum -40 C (w/o impact)
<b>Listings</b>	FED SPEC UL/CSA
<b>Catalog Page</b>	<a href="#">Click here for catalog page B27</a>
<b>Brochures</b>	<a href="#">Click here for product brochure</a>
<b>Hubbellnet</b>	<a href="#">Click here for Hubbellnet</a>
<b>Catalog Section</b>	<a href="#">Click here for Section-B</a>
<b>UPC Number</b>	78358503889
<b>Weight in LBs</b>	0.2



## TWIST-LOCK® Devices

### 2 Pole, 3 Wire Grounding

30 Ampere, 125, 250 Volts and 277 Volts AC

### Receptacles, INSULGRIP® Connector Bodies, Flanged Devices and Plugs



NEMA L5-30R  
30A 125V  
UL/CSA  
2 HP



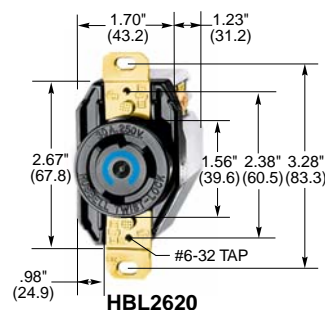
NEMA L6-30R  
30A 250V  
UL/CSA  
2 HP



NEMA L7-30R  
30A 277V AC  
UL/CSA  
3 HP

#### Single Flush Receptacles, Back and Side Wired

Description	Catalog Numbers		
Black nylon face.	<b>HBL2610</b>	<b>HBL2620</b>	<b>HBL2630</b>
Isolated ground, orange nylon face.	<b>IG2610</b>	<b>IG2620</b>	-
Corrosion resistant, yellow nylon face.	<b>HBL26CM10</b>		-



#### Insulgrip Connector Bodies IP20 SUITABILITY

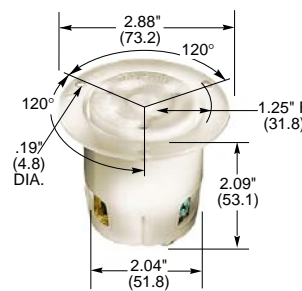
Description	Catalog Numbers		
Black and white nylon.	<b>HBL2613</b>	<b>HBL2623</b>	<b>HBL2633</b>
Heat stabilized, gray nylon, 220° F (104° C).	<b>HBL2613F</b>	<b>HBL2623F</b>	-
Corrosion resistant, yellow nylon.	<b>HBL26CM13</b>	<b>HBL26CM23</b>	-

Note: Cord clamp range .360"-.930" (9-24).



#### Insulgrip Flanged Receptacles

Description	Catalog Numbers		
Nylon casing, back wired.	<b>HBL2616</b>	<b>HBL2626</b>	<b>HBL2636</b>
Heat stabilized, gray nylon, 220° F (104° C).	<b>HBL2616F</b>	<b>HBL2626F</b>	-



#### Insulgrip Plugs IP20 SUITABILITY

Description	Catalog Numbers		
Black and white nylon.	<b>HBL2611</b>	<b>HBL2621</b>	<b>HBL2631</b>
Heat stabilized, gray nylon, 220° F (104° C).	<b>HBL2611F</b>	<b>HBL2621F</b>	-
Corrosion resistant, yellow nylon.	<b>HBL26CM11</b>	<b>HBL26CM21</b>	-

Notes: Cord clamp range .360"-.930" (9-24).

See page B-73 for Add-A-Shroud™ kit.



#### Insulgrip Flanged Inlets

Description	Catalog Numbers		
Nylon casing, back wired.	<b>HBL2615</b>	<b>HBL2625</b>	<b>HBL2635</b>
Heat stabilized, gray nylon, 220° F (104° C).	<b>HBL2615F</b>	<b>HBL2625F</b>	-

Notes: All HP ratings are AC only. Only receptacles and plugs are HP rated.

For technical information see page B-83.

For accessories see pages B-68 and B-69.

See page B-63 for switched enclosure.

