



➔ **Product Type**
Momentary Pushbutton Switch

➔ **Product Series**
P26-Series

The P26-Series pushbutton switches are single pole AC/DC rated switches suitable for shallow back panel applications. These single throw momentary action switches have a slow-make, slow-break contact mechanism. They require a medium actuation force (13 oz. typical) and are AC rated up to 8 amps at 125VAC.

Certifications	UL CSA
Number of Poles	1 pole

Ratings

3A 250VAC

6A 125VAC

3/4A 125V

4A 250VAC

8A 125VAC

1A 125V

3A 250VAC

6A 125VAC

3/4A 125V

5A 12V

3A 277VAC

6A 125VAC

Dielectric Strength

1,000 V RMS (minimum)

Insulation Resistance

100 megohms (minimum)

Base Material

Phenolic

Actuator Style

Nylon Pushbutton

Round Metal Pushbutton

Concave Metal Pushbutton

Actuator Material

Nylon or Brass

Bushing Material

Brass/Nickel Plate

Terminal Options

Solder Lugs

Wire Leads

Mounting Method

Bushing Mount

Mounting Hole Dimensions

.500" diameter; 12.70mm diameter

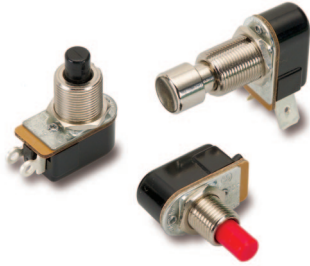
Value Added

Bushing accessories available

Custom lead lengths available

Custom strip lengths available

P26-Series Pushbutton Switches



The P26-Series pushbutton switches are single pole, AC rated for 8 amps at 125 VAC and suitable for shallow back panel applications. These switches are momentary action with a medium actuation force (13 oz. typical). The P26-Series switch is equipped with a slow-make, slow-break contact mechanism. Typical applications include usage for an Alarm or Warning Device, as well as Test and Measurement Equipment.

Dielectric Strength

UL/CSA: 1000V - live to dead metal parts

Electrical Life

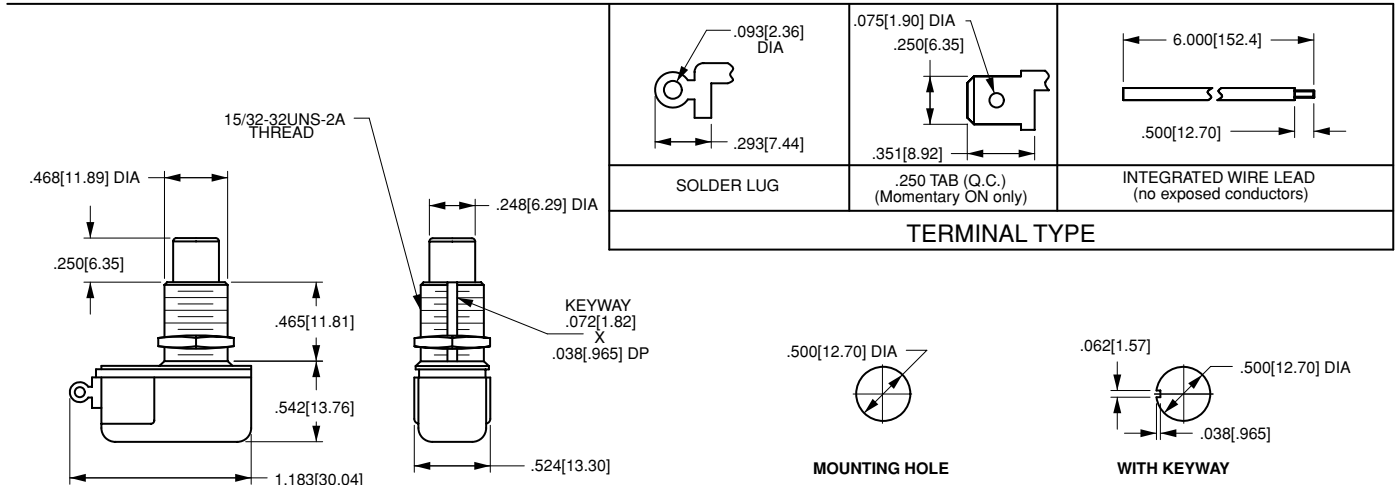
25,000 cycles

Mechanical Life

100,000 cycles

Operating Temperature

32°F to 85°F (0°C to +85°C)



P26L - 1D - BL

¹ Base Part Number

² Bushing Style

³ Button Style/Color

1 BASE PART NUMBER: SERIES/POLES/CIRCUITRY/RATING¹/TERMINATION

Single Pole	solder lug	.250 tab	wire leads
3A 250VAC, 6A 125 VAC, 3/4A 125V	P26A	P26B	P26F
OFF - (ON)	P26L	-	P26T
ON - (OFF)			
3A 277VAC, 6A 125 VAC	P267A	P267B	P267F
OFF - (ON)	P267L	-	P267T
ON - (OFF)			

2 BUSHING STYLE

	length	diameter
1A	.406	.375
1B	.406	.468
1C	.465	.375
1D	.465	.468

3 BUTTON STYLE/COLOR

BL	black nylon
RD	red nylon
RND MTL²	round metal
CON MTL²	concave metal

NOTES

- 1 Only available with 1D bushing in .502 length.
() Indicates momentary function.