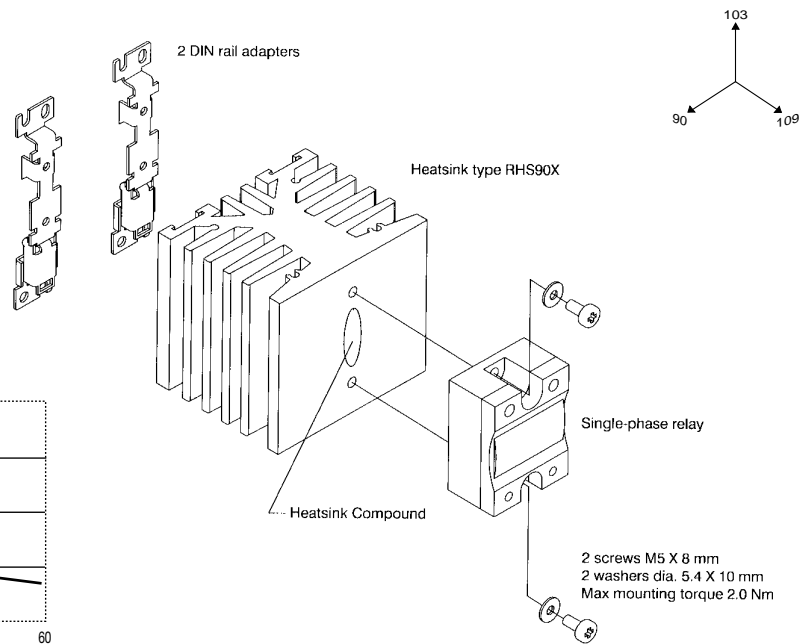
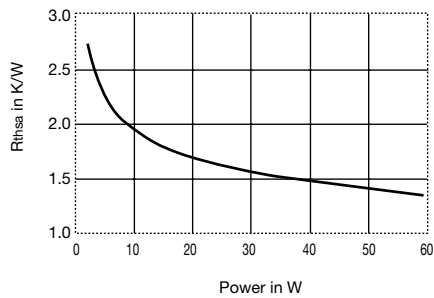


Heatsink Assemblies (cont.)

RHS90

Heatsink assembly with DIN-rail adapter for 1-phase SSRs. Type RHS90 is a complete heatsink kit not including the SSR. A 60x60 mm fan may be mounted onto the heatsink.



RHS100

Heatsink assembly with DIN-rail adapter for 1-phase SSRs. Type RHS100 is a complete heatsink kit not including the SSR.

