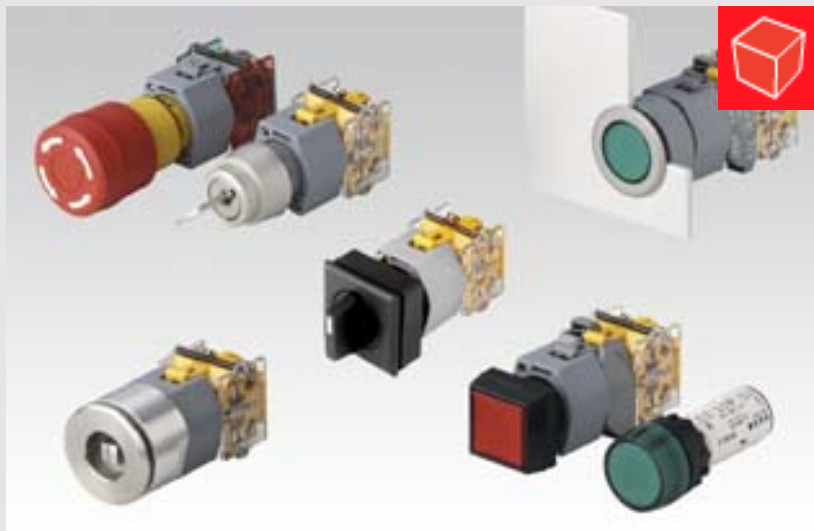


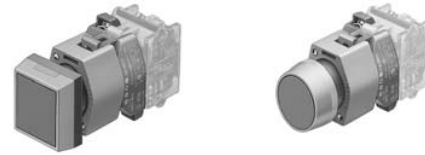
## Series 04



Front size	29 mm dia. 30 x 30 mm 35 mm dia. 35 x 35 mm 37 mm dia. 38 mm dia. 40 mm dia.
Front protection	IP 40 IP 54 IP 65 IP 67
Mounting hole size	22.5 mm dia. 30 x 30 mm 30.5 mm dia. 33.5 mm dia.
Switching System	Slow-make switching element Snap-action switching element
Switch rating	10 A, VAC 500 VAC, 10 A
Illumination	Filament lamp LED

# Devices raised mounting

## Illuminated pushbutton actuator



	Front protection	Switching action	Front ring	Lens	∅ 30 x 30 mm Typ-Nr.	∅ 29 mm Typ-Nr.	Mounting dimensions			Circuit drawing	
							Technical drawing				
Illuminated pushbutton actuator	IP 65	MA	Plastic black	Plastic blue	704.259.6	704.059.6	5	8	35	0.056	
				Plastic colourless	704.259.7	704.059.7	5	8	35	0.056	
				Plastic green	704.259.5	704.059.5	5	8	35	0.056	
				Plastic red	704.259.2	704.059.2	5	8	35	0.056	
				Plastic yellow	704.259.4	704.059.4	5	8	35	0.056	
			Plastic light-grey	Plastic blue	704.260.6	704.060.6	5	8	35	0.056	
				Plastic colourless	704.260.7	704.060.7	5	8	35	0.056	
				Plastic green	704.260.5	704.060.5	5	8	35	0.056	
				Plastic red	704.260.2	704.060.2	5	8	35	0.056	
				Plastic yellow	704.260.4	704.060.4	5	8	35	0.056	
			M	Plastic black	Plastic blue	704.229.6	704.029.6	5	8	43	0.056
					Plastic colourless	704.229.7	704.029.7	5	8	43	0.056
					Plastic green	704.229.5	704.029.5	5	8	43	0.056
					Plastic red	704.229.2	704.029.2	5	8	43	0.056
					Plastic yellow	704.229.4	704.029.4	5	8	43	0.056
				Plastic light-grey	Plastic blue	704.230.6	704.030.6	5	8	43	0.056
		Plastic colourless			704.230.7	704.030.7	5	8	43	0.056	
		Plastic green			704.230.5	704.030.5	5	8	43	0.056	
		Plastic red			704.230.2	704.030.2	5	8	43	0.056	
		Plastic yellow			704.230.4	704.030.4	5	8	43	0.056	
		MA	Aluminium natural	Plastic blue		704.062.6	5	8	35	0.056	
				Plastic colourless		704.062.7	5	8	35	0.056	
				Plastic green		704.062.5	5	8	35	0.056	
				Plastic red		704.062.2	5	8	35	0.056	
				Plastic yellow		704.062.4	5	8	35	0.056	
			Aluminium natural with protective cover	Plastic blue		704.063.6	5	8	35	0.056	
				Plastic colourless		704.063.7	5	8	35	0.056	
				Plastic green		704.063.5	5	8	35	0.056	
				Plastic red		704.063.2	5	8	35	0.056	
				Plastic yellow		704.063.4	5	8	35	0.056	
		M	Aluminium natural	Plastic blue		704.032.6	5	8	43	0.056	
				Plastic colourless		704.032.7	5	8	43	0.056	
				Plastic green		704.032.5	5	8	43	0.056	
				Plastic red		704.032.2	5	8	43	0.056	
				Plastic yellow		704.032.4	5	8	43	0.056	
			Aluminium natural with protective cover	Plastic blue		704.033.6	5	8	43	0.056	
				Plastic colourless		704.033.7	5	8	43	0.056	
				Plastic green		704.033.5	5	8	43	0.056	
				Plastic red		704.033.2	5	8	43	0.056	
				Plastic yellow		704.033.4	5	8	43	0.056	

eaon

Switching action: MA = Maintained action, M = Momentary action

Mounting dimensions from page 86, Technical drawing from page 90, Circuit drawing from page 109

# Technical Data

## Buzzer

### Buzzer system

**System**  
Piezo disc

### Material

**Alarm buzzer case**  
Polyamide

**Front cap**  
Plastic Polyamide  
Metal Nickel-plated brass (sea-water proof)

### Mechanical characteristics

**Terminals**  
Plug-in terminal 2.8 x 0.5 mm

### Electrical characteristics

**Frequency (tone)**  
approx. 2.8 kHz continuous tone only

**Sound pressure**  
95 db (A) ±8 dB at a distance of 0.1 m

**Operation Voltage/Current**  
Operation Voltage 24 VDC ±10 %  
Operation Current ≤25 mA

### Environmental conditions

**Storage temperature**  
-35 °C ... +85 °C

**Operating temperature**  
-25 °C ... +55 °C

**Protection degree**  
as per EN IEC 60529, frontside  
IP 40, devices flush mounting  
IP 65, devices raised mounting

### Approvals

**Declaration of conformity**  
CE  
RoHS

## Actuator

### Material

**Front ring**  
Polyamide, Aluminium or Stainless steel

**Mounting flange**  
Polyethylene terephthalate

**Actuator housing**  
Polycarbonate, Polyamide

### Mechanical characteristics

**Actuating force**  
Mounting style square flush 6.2 N  
other Mounting styles 8 N

**Actuating travel**  
5.8 mm ± 0.2 mm

**Mechanical lifetime**  
(with 1 switching element)

Pushbutton	≤3 million	Cycles of operation
Selector switch	≤2.5 million	Cycles of operation
Stop switch	≤50 000	Cycles of operation
Fool proofed E-stop	≥6050	Cycles of operation
Keylock switch	≤50 000	Cycles of operation
Key insert switches	≤250 000	Cycles of operation

### Electrical characteristics

**Standards**  
The switches comply with the "Rules for low-voltage switching devices" EN IEC 60947-5-1

### Environmental conditions

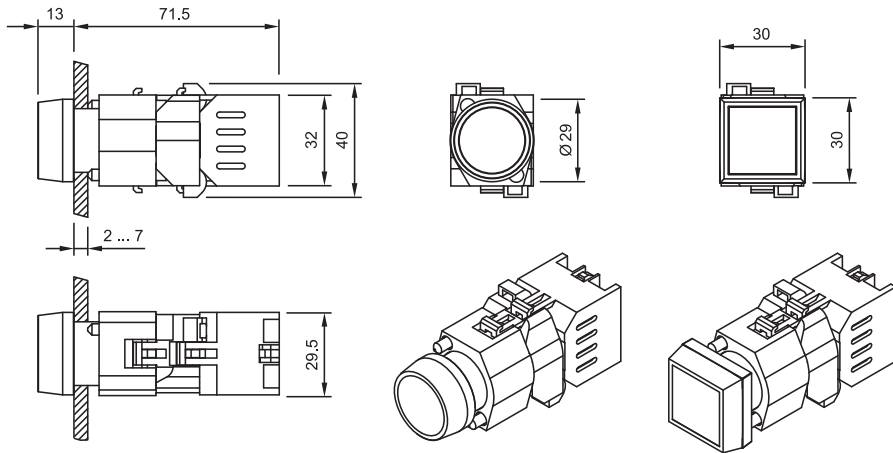
**Storage temperature**  
-30 °C ... +85 °C

**Operating temperature**  
-25 °C ... +55 °C (with LED)  
-25 °C ... +40 °C (with filament lamp)  
-40 °C ... +85 °C (Key insert switch)

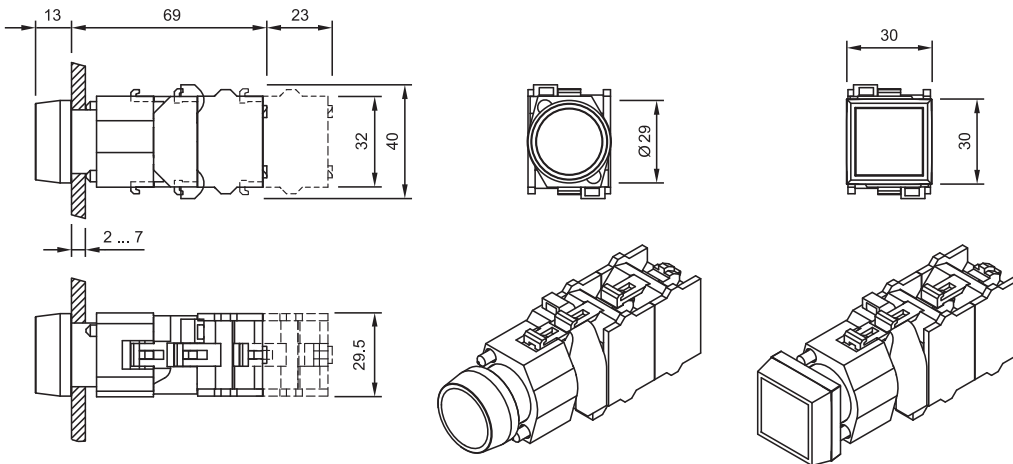
**Protection degree**  
as per EN IEC 60529  
frontside IP 65 (IP 67 Key insert switch)

# Drawings

## 7 Flasher front illumination page 16



## 8 Illuminated pushbutton actuator page 20



## 9 Keylock switch actuator 2 positions page 25 | Keylock switch actuator 3 positions page 26

