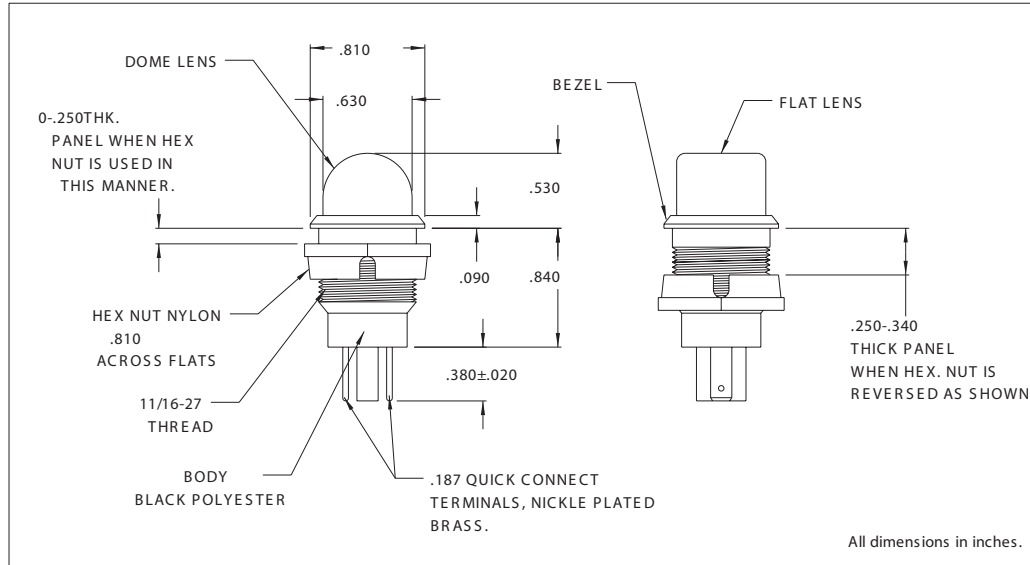


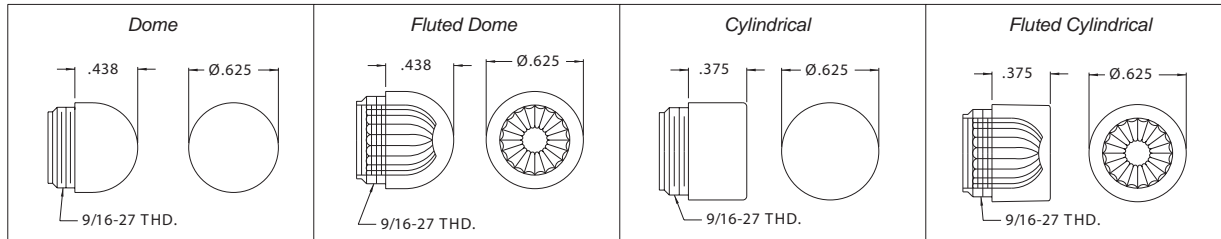


## 2802 Series Relampable Incandescent Indicator Light

### DESCRIPTION AND FEATURES



### LENS SPECIFICATIONS



All dimensions in inches.

#### Ordering Information:

For use with T-2 Slide Base (standard) lamps.  
 Complete assembly consists of socket (2802),  
 lamp, and lens (see chart below).

Items supplied unassembled.

Lamp, lens and socket must be ordered  
 separately.

Mounting: Supplied with polyester hex nut.

Lens: Polycarbonate-threaded

Body: Black polyester

Terminals: Nickel plated brass

Bezel: Black

Lens Part No:	Description
25P-306*	Transparent dome
25P-307**	Translucent dome
25P-326*	Transparent fluted dome
25P-606*	Transparent cylindrical
25P-607**	Translucent cylindrical
25P-626*	Transparent fluted cylindrical
(*) R=Red, A=Amber, G=Green, C=Clear	
(**) R=Red, Y=Yellow, G=Green, W=White	

Note: For 120 volt applications, CML recommends the use of a slide base neon lamp, rather than an incandescent lamp.

Chicago Miniature Lamp reserves the right to make specification revisions that enhance the design and/or performance of the product