



Hobbs LCD Hour Meters

98000 Series

LCD Hour Meters

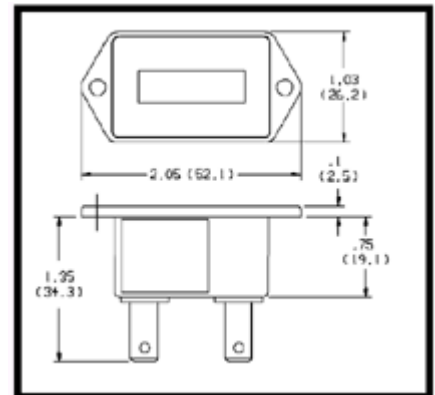
Features

- Totally sealed from moisture and dirt
- Direct replacement for current hour meter
- No battery backup needed
- Fits in existing panel openings
- Custom bezels and dial artwork available
- Snap-in retainer mount combines easy installation with rugged design
- Compact Depth
- Rugged Design
- Pulse Counter Option
- Reset Option
- Run Indicator



2 Screw Standard Bezel

| Operating Voltage | Terminals | Part # |
|-------------------|------------------------|--------|
| 9 to 64 VDC | 2 terminal | 98310 |
| 9 to 64 VDC | 3 terminal with enable | 98320 |
| 9 to 64 VDC | 4 terminal resettable | 98300 |

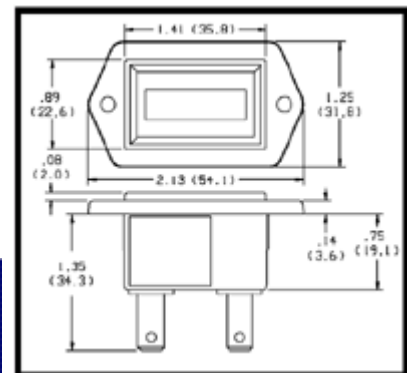


2 Screw Standard:
Panel cutout 1.45 x .95 rectangular opening Two .150 holes spaced 1.750*



2 Screw Deluxe Bezel

| Operating Voltage | Terminals | Part # |
|-------------------|------------------------|--------|
| 9 to 64 VDC | 2 terminal | 98313 |
| 9 to 64 VDC | 3 terminal with enable | 98323 |
| 9 to 64 VDC | 4 terminal resettable | 98303 |



2 Screw Deluxe:
Panel Cutout 1.45 x .95 rectangular opening Two .150 holes spaced 1.750*

* Panel cutout dimensions are ± .010 tolerance
All dimensions shown in inches and (metric)

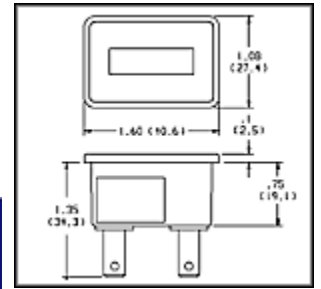
LCD Meter Applications

- Garden Tractors
- Generators
- Utility Vehicles
- Construction Equipment
- Material Handling Equipment
- Recreational Vehicles
- Medical
- Electronic Panels
- Rental Equipment
- Boom Lifts
- Pressure Washers
- Sweepers
- Test Equipment

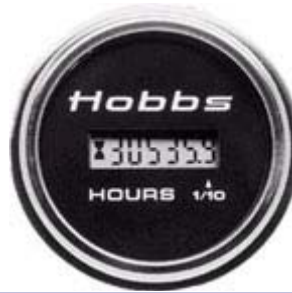
* Panel cutout dimensions are ± .010 tolerance
All dimensions shown in inches and (metric)

Retainer Mount

| Operating Voltage | Terminals | Part # |
|-------------------|------------------------|--------|
| 9 to 64 VDC | 2 terminal | 98311 |
| 9 to 64 VDC | 3 terminal with enable | 98321 |
| 9 to 64 VDC | 4 terminal resettable | 98301 |

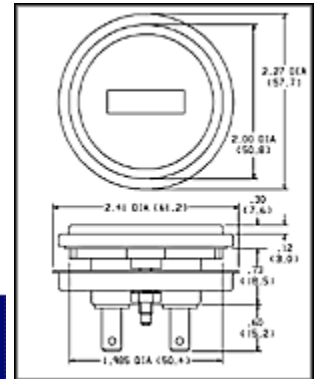


Retainer Mount:
Panel cutout 1.45 x .95 rectangular opening *

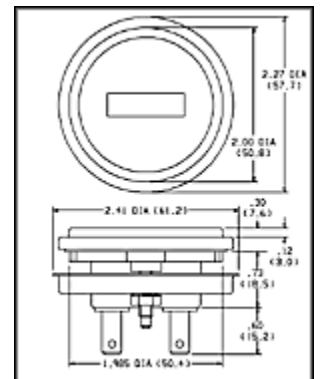


Round Chrome Bezel

| Operating Voltage | Terminals | Part # |
|-------------------|------------------------|--------|
| 9 to 64 VDC | 2 terminal | 98314 |
| 9 to 64 VDC | 3 terminal with enable | 98324 |
| 9 to 64 VDC | 4 terminal resettable | 98304 |



Flush Mount (Retainer) 2.27":
Panel cutout 2.00 diameter opening *



Round Black Bezel

Flush Mount (Retainer) 2.27":
Panel cutout 2.00
diameter opening *

| <i>Operating Voltage</i> | <i>Terminals</i> | <i>Part #</i> |
|--------------------------|-------------------------------|---------------|
| <i>9 to 64 VDC</i> | <i>2 terminal</i> | <i>98312</i> |
| <i>9 to 64 VDC</i> | <i>3 terminal with enable</i> | <i>98322</i> |
| <i>9 to 64 VDC</i> | <i>4 terminal resettable</i> | <i>98302</i> |