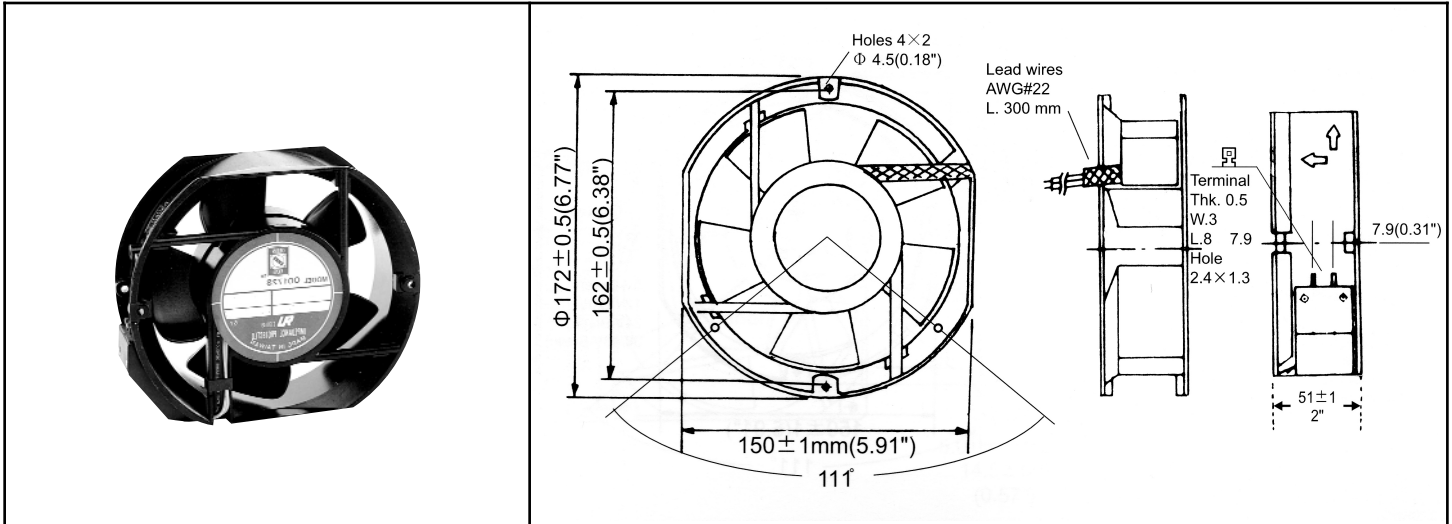


OD172S Series



DC Fan - 12, 24, 48V
172x150x51mm (6.7"x 5.9"x 2.0")



Frame	Diecast Aluminum	Available Options: Tachometer (5VTTL) Alarm (5VTTL) Thermistor Speed Control PWM Speed Control	
Impeller	PBT, UL94V-O plastic		
Connection	2x Lead wires, AWG22 or terminals		
Motor	Brushless DC, auto restart, polarity protected	<u>Life Expectancy (L10)</u> Ball - 40,000 hrs (60C)	
Bearing System	Dual ball bearing	<u>Operating Temperature</u> Ball: -20C ~ 75C	
Insulation Resistance	10M ohm between leadwire and frame (500VDC)		
Dielectric Strength	1 second at 500 VAC, max leakage - 500 MicroAmp		
Storage Temperature	-30C ~ +90C		

Model Number	Speed (RPM)	Airflow (CFM)	Noise (dB)	Volts DC	Voltage Range	Amps	Max. Static Pressure (\"H2O)
OD172SAP-12HH *	3800	290	56	12	8~14	2.90	0.93
OD172SAP-12H *	3200	230	52	12	8~14	1.90	0.75
OD172SAP-12M *	2500	180	42	12	8~14	1.10	0.51
OD172SAP-12L *	1600	125	32	12	8~14	0.45	0.35
OD172SAP-24HH *	3900	300	57	24	15~28	1.40	0.98
OD172SAP-24H *	3300	235	52	24	15~28	0.97	0.79
OD172SAP-24M *	2500	180	42	24	15~28	0.52	0.51
OD172SAP-24L *	1600	125	32	24	15~28	0.20	0.35
OD172SAP-48HH *	3900	300	57	48	22~63	0.69	0.98
OD172SAP-48H *	3300	235	52	48	22~63	0.48	0.79
OD172SAP-48M *	2500	180	42	48	22~63	0.30	0.51
OD172SAP-48L *	1600	125	32	48	22~63	0.12	0.35

* Indicate "B" for wire leads or "TB" for Terminals