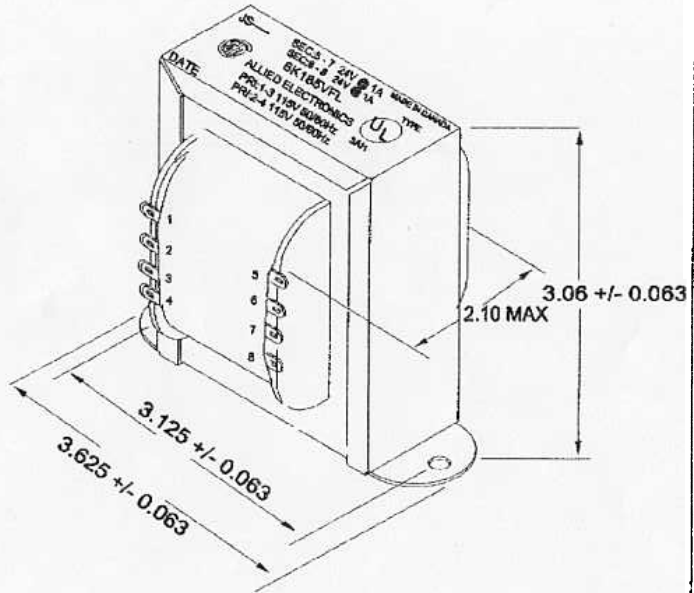
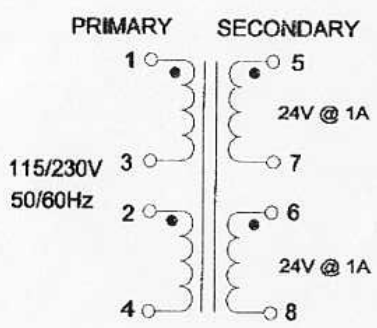


Alana

AUG 31 2008 5:08 PM FR HAMMOND MFG-RANKING 886 9540 TO BUFFALO P.03

EDB6K185VFL



TOLERANCES STD.	
X	±.1
XX	±.06
XXX	±.02
XXXX	±.005
ANGLES	±.50

** TOTAL PAGE .03 **

REV.NO.	REVISION	DATE	Hammond Electronics Waterloo, Ontario Canada		DWG.NO.
			DWG. BY: D. Hutt	TITLE: POWER TRANSFORMER	EDB6K185VFL
			DATE: 08/01/00		SH 1 OF 1
			CHKD BY:		
			APPD. BY:		